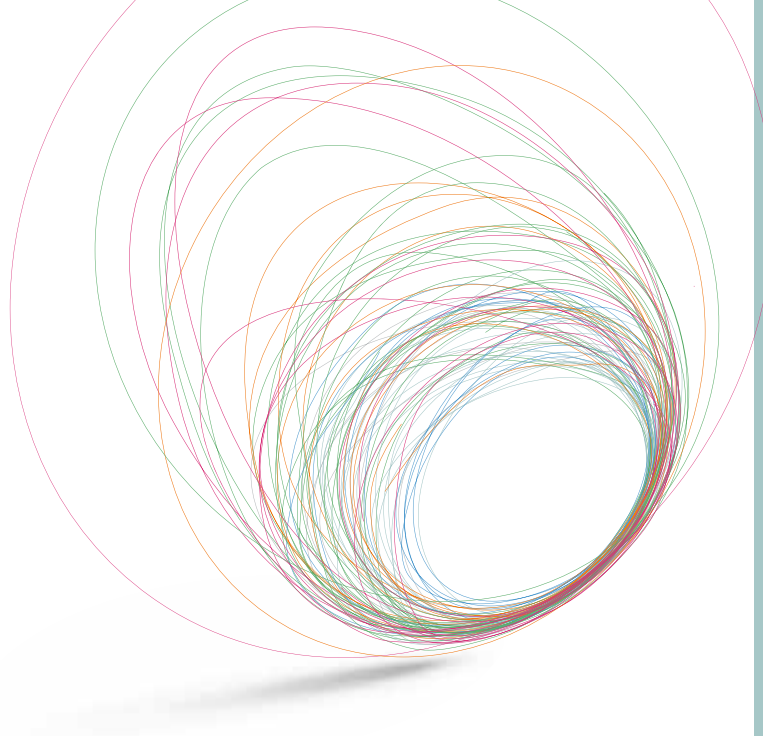


## THE VERSATILE.

Robust and secure industrial sectional doors





**Performance promise and service standards**

Design | Security | Service Pages 4 - 9

**Industrial sectional doors**

**40 series overview**

Type SW 40	<b>Pages 10 - 11</b>
Type SL 40	Pages 12 - 13
Type SLW 40	Pages 14 - 15
Type SLX 40	Pages 16 - 17
	Pages 18 - 19

**80 series overview**

Type SW 80	<b>Pages 20 - 21</b>
Type SL 80	Pages 22 - 25
Type SLW 80	Pages 26 - 27
	Pages 28 - 29

**Fire station doors**

**Pages 30 - 31**

**Wicket and side doors**

Flexible access for all of our doors Pages 32 - 33

**Design variety**

Colours and glazings Pages 34 - 39

**Safety aspects**

Technology, convenience, operation	Pages 40 - 49
Technical data	Pages 50 - 51

MADE  
IN  
GERMANY



# TECKENTRUP DOOR SOLUTIONS

Whether it's development, production or distribution, whether it's about the entire whole or about a small detail, for us, every-thing revolves around the decisive question: **WHAT IS THE SOLUTION FOR YOU?**

Because we are the specialist for fire protection, smoke protection, sound insulation and security doors, for industrial sectional doors, roller shutters, folding doors, sliding doors and garage doors.

And we are **"Made in Germany"**. For more than 90 years, we have developed and produced our products exclusively in Germany. More than 900 employees at our locations in Verl and Großzöberitz create our high-quality products for you. All processes, from supply to production to commissioning and delivery, are based on the DIN EN ISO 9001 quality management system.

DESIGN

SECURITY

SERVICE

Teckentrup produces more than doors and gates: Teckentrup delivers solutions. Which is why we have applied three new standards to our company and our products that meet your needs: Design. Security. Service.



**Design:** We link functionality and aesthetics.

Because good design represents innovative technology that meets the needs of the user. Our products are opening new worlds and offer many individual design options. With us, designers and engineers work hand-in-hand from the beginning. So that intelligent ideas are just as convincing a second glance and sophisticated designs prove themselves day after day.



**Security:** We link systems to protection.

Our doors meet the highest requirements and are certified accordingly. We are happy to advise you on necessary standards and develop comprehensive needs-oriented safety approaches in order to protect people and valuables.



**Service:** We link speed to reliability.

Short paths, clear structures, everything from one source. This is the service advantage of Teckentrup. Because, from product development to installation, from the committed support of our expert advisers to professional servicing: We will be there for you right away. We are happy to make the time.



# BUILDING EXPERTISE FROM ONE SOURCE

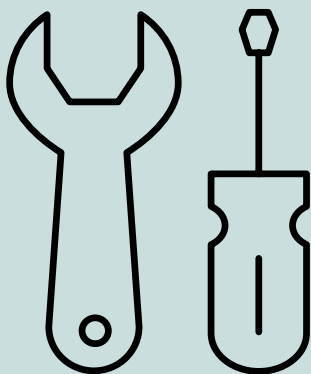
Large construction projects are faced with enormous cost pressure. This is why all of our products are embedded in an approach for process optimisation. We count on holistic service – from planning to installation to operating our industrial sectional doors. We can support you with consultation and planning services, we provide just-in-time deliveries if required, we place great emphasis on easy installation and we are also there to help you at any time during the construction phase by providing solutions at short notice. Therefore, you can rest assured that you receive the right solution for all of your property's requirements.

---

## OUR SERVICES FOR YOU

Secure clear efficiency advantages for yourself in every project phase:

- Comprehensive property and project advising for each of your projects
- Digital configurator as first step to your individual door solutions
- Tender documents and technical drawings to develop your tender



More information at [www.teckentrup.biz](http://www.teckentrup.biz)

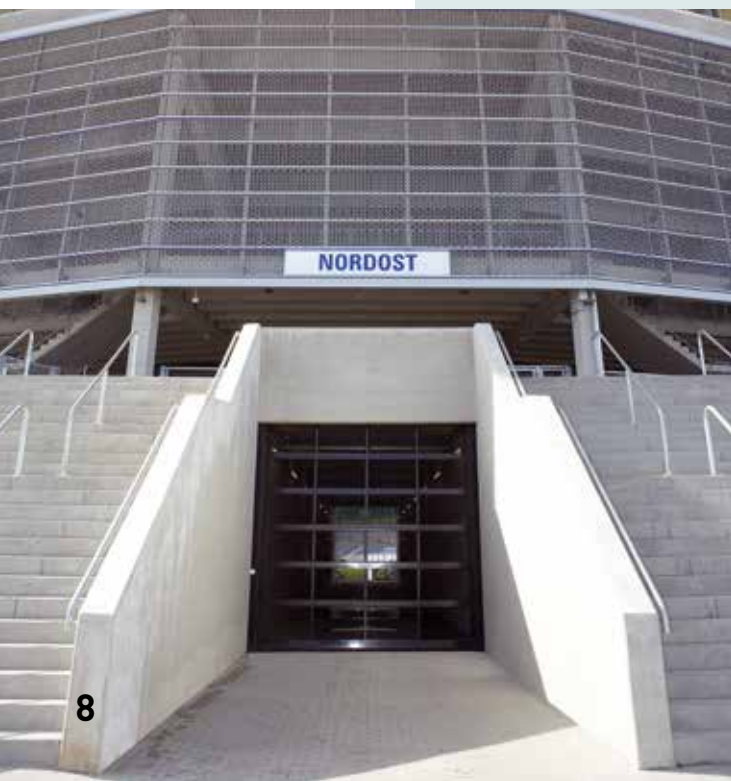
# HOLISTIC SERVICE

**We provide custom solutions and comprehensive service to our customers, from project planning to installation to operating our doors. Take a look for yourself.**

## **PREZERO ARENA SINSHEIM (FORMERLY RHEIN-NECKAR ARENA)**

Visible from afar, the PreZero Arena dominates its surroundings in Sinsheim in Kraichgau. Here, the pros with TSG 1899 Hoffenheim excite their fans and the 21 roller shutters and 10 sectional doors in the background ensure that the game goes off without a hitch.

The Teckentrup service: custom advising on selection, installation and use of the doors and a common implementation with the building owner and sports patron Dietmar Hopp and the leading architecture office agn Niederberghaus & Partner.







## ELBPILHARMONIE, HAMBURG

The impressive Elbphilharmonie in Hamburg is recognisable from every side. But it houses more than just its famous concert hall. Hamburg's new landmark also has restaurants, a hotel, a futuristic escalator, the so-called Tube, and apartments.

The building was therefore a challenge in terms of interior design. In addition to numerous fire protection and security doors, there are also a number of passages that are closed with doors. Many doors were fitted with portal coverings as well as custom surface trims and received special surfaces in order to meet the demanding architectural requirements. A perfect interplay of security and design.

# EFFICIENT AND ROBUST

## **The 40 series**

The industrial sectional doors from the 40 series are based on a double-walled and 40 mm thick door leaf design. As standard, they are equipped with a special PU hard foam core and are thus commonly used in logistics and production centres, agricultural enterprises or warehouses.



### SW 40 sectional door

Combines efficiency and robustness

The Teckentrup SW 40 steel sectional door is primarily suited for use in harsh environments and is distinguished by its proven and robust construction, as well as the numerous design options.

### SL 40 sectional door

Diverse looks and excellent light penetration

The Teckentrup SL 40 sectional door with aluminium frame profile and glazing elements is extremely light-permeable and gives every building an elegant style. The high light penetration provides a friendly working environment.



### SLW 40 sectional door

Stylish design for bright spaces

The Teckentrup SLW 40 sectional door with steel slat base and elegant aluminium frame construction is the perfect alternative if durability and generous light penetration are in equal demand. Because the glazing elements allow a great deal of light into the building.

### SLX 40 sectional door

Elegant transparency for aesthetically-pleasing architecture

The Teckentrup SLX 40 sectional door combines elegant transparency with maximum light penetration, thus making modern architectural concepts possible and providing suitable settings to present high-quality life-style products such as cars and camper vans, yachts and boats.





# TECKENTRUP

## SW 40 SECTIONAL DOOR

- HIGH-QUALITY STEEL SLATS, 40 MM THICK
- DOUBLE-WALLED, PU INSULATING FOAM
- MODERN HIGH-TECH LOOK
- WIND LOAD CLASS 3 AS STANDARD UP TO 5000 MM (WITHOUT WICKET DOOR AND WITHOUT GLAZING)



Highly-rigid PU hard foam heat-insulating

**Surface:**

- Exterior micro-profiled, interior in stucco design
- As standard with dual-sided priming coat in many standard colours or additional colour tones per RAL or NCS

### Installation in

Masonry, concrete, steel structures, wood

### Size range / nominal dimensions

Width: 2000 - 8000 mm,  
Height: 1875 - 6000 mm  
(Additional dimensions upon request)

### Door leaf

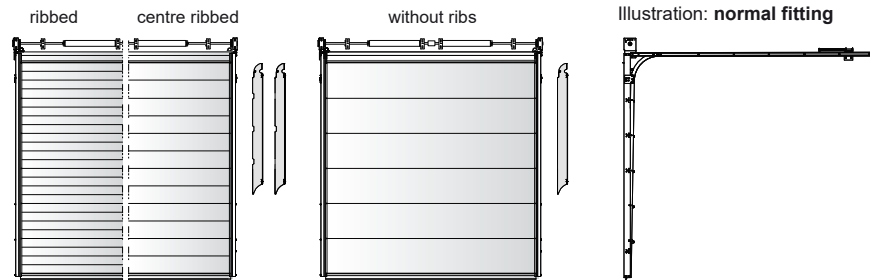
- Consists of individual door sections, galvanised steel sheets; installation depth: 40 mm Insulation: polyurethane foam
- Styles: Panel exterior without ribs, center ribbed style<sup>1)</sup> or ribbed  
Surface: Panel exterior woodgrain, stucco, micro-profiled, smooth interior always stucco-patterned

### Glazing (optional)

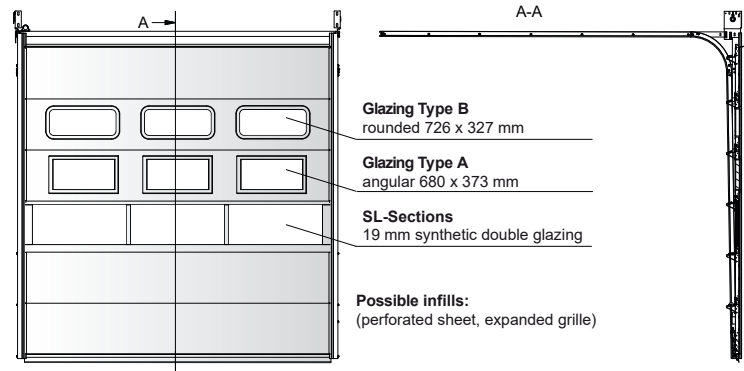
- Glazed strip as separate section made of aluminium profiles; cold-rolled section without thermal separation: AL-MG-SI 0.5
- Anodised E6 / EV1 surface
- Filled as standard with 19 mm synthetic double glazing, colourless, synthetic holding strip, black with seal
- Additional fillings with triple glazing etc.

Style **ribbed, centre ribbed**  
Style **without ribs**

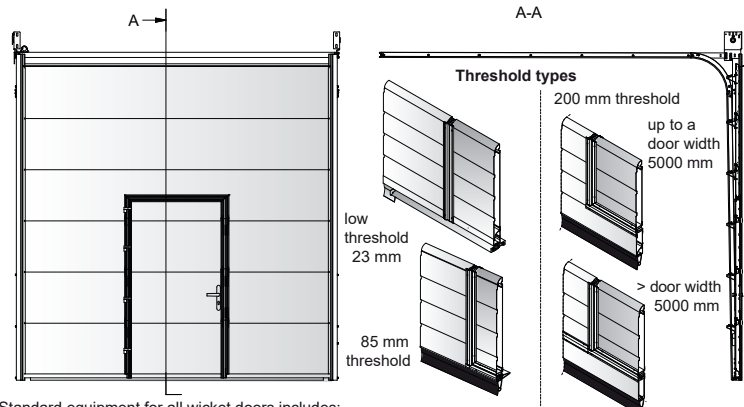
Surface (exterior): woodgrain | stucco | smooth | micro-profiled  
Surface (exterior): woodgrain | stucco | smooth | micro-profiled



SW 40 with glazing (optionally)



SW 40 with glazing (optionally)



Standard equipment for all wicket doors includes:  
Overhead door closer with slide rail, without locking unit,  
mortice lock- prepared for a profile cylinder (PC=30.5/30.5).  
Wicket door opening outwards, frame profiles in aluminium E6/EV1

<sup>1)</sup> For optical reasons, some door heights are not available in centre beading.



# TECKENTRUP

## SL 40 SECTIONAL DOOR

- ALUMINIUM FRAME PROFILE IN ELEGANT DESIGN
- EXTREMELY LIGHT-PERMEABLE GLAZING ELEMENTS
- SUITABLE DRIVES FOR ALL DOOR TYPES



### Installation in

Masonry, concrete, steel structures, wood

### Size range / nominal dimensions

Width: 2000 – 8000 mm,  
Height: 1875 – 6000 mm  
(Additional dimensions upon request)

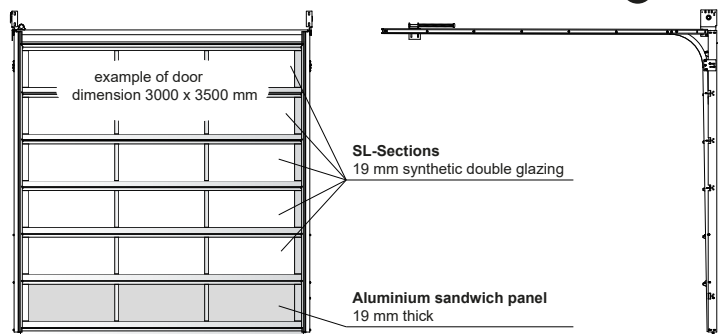
### Door leaf

- Frame construction made of aluminium profiles; cold-rolled section without thermal separation: AL-MG-SI 0.5
- Anodised E6/EV1 surface, filled as standard with 19 mm synthetic double glazing, colourless, synthetic holding strip, black with seal

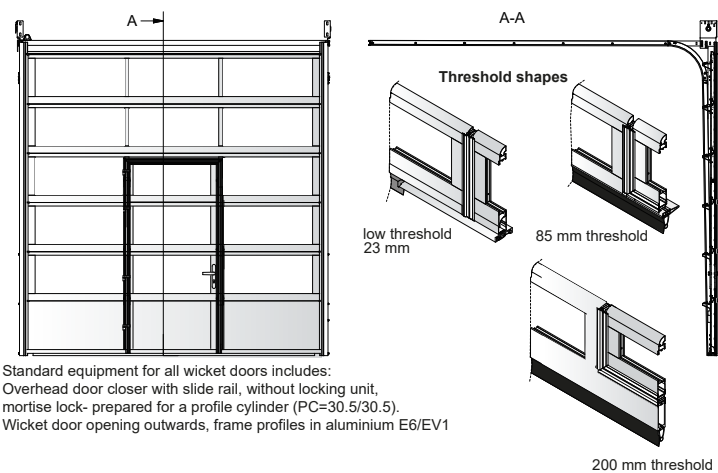
### Glazing

- Standard 19 mm synthetic glazing
- Maximum section height: 750 mm
- Optionally available in scratch-resistant version
- Other fillings available upon request (textured glass, ISO panel, expanded grille, perforated plate)

SL 40 (exterior view)



SL 40 with wicket door (optionally)







# TECKENTRUP

## SLW 40 SECTIONAL DOOR

- ELEGANT ALUMINIUM FRAME CONSTRUCTION
- ROBUST THANKS TO STEEL SLAT BASE
- GENEROUS LIGHTING



**Aluminium frame construction**  
Made from aluminium tubular profiles, E6 / EV1

**Glass panels:**

- Maximum section height: 750 mm
- Standard 19 mm double glazing
- Optionally available in scratch-resistant version
- Other fillings available upon request (textured glass, ISO panel, expanded grille, perforated plate)

**Surface:**

- Exterior micro-profiled, interior stucco-patterned
- With dual-sided priming coat similar to RAL 9002 (grey white), optionally available in many standard colours or additional colour tones per RAL or NCS.

### Installation in

Masonry, concrete, steel structures, wood

### Size range / nominal dimensions

Width: 2000 – 8000 mm,  
Height: 1875 – 6000 mm  
(Additional dimension upon request)

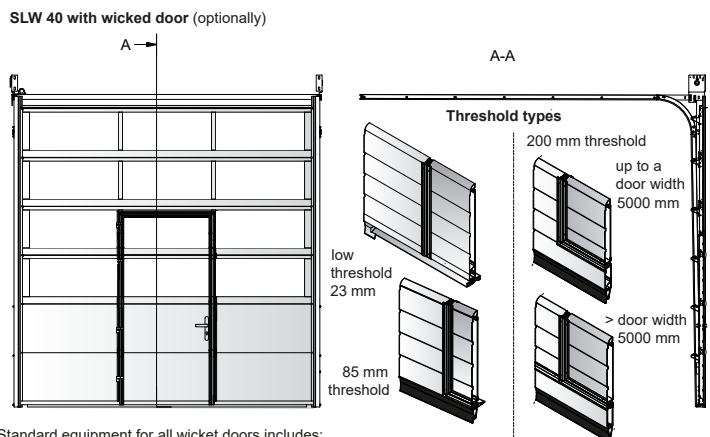
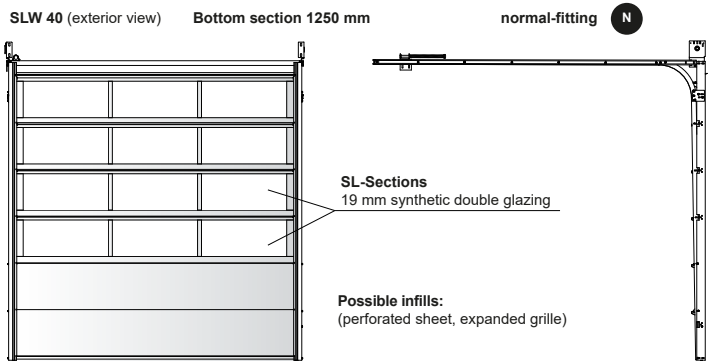
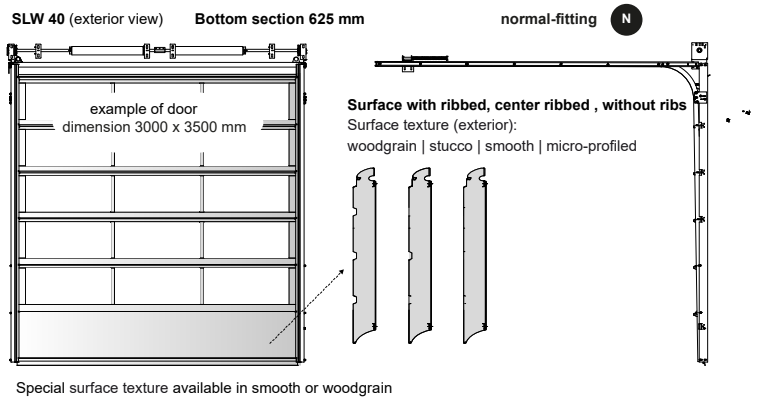
### Door leaf

Bottom section:

- Consists of one SW 40 door section, galvanised steel sheets
- installation depth: 40 mm
- Insulation: polyurethane foam
- Styles: Panel exterior without ribs, center ribbed style<sup>1)</sup> or ribbed  
Surface: Panel exterior woodgrain, stucco, micro-profiled, smooth interior always stucco-patterned

Above bottom section:

- Glazed strip as separate section made of aluminium profiles
- Anodised E6/EV1 surface, filled as standard with 19 mm synthetic double glazing, colourless, synthetic holding strip, black with seal
- Maximum frame height: 750 mm
- Standard 19 mm double glazing
- Optionally available in scratch-resistant version
- Other fillings available upon request (textured glass, ISO panel, expanded grille, perforated plate)



Standard equipment for all wicket doors includes:  
Overhead door closer with slide rail, without locking unit,  
mortice lock- prepared for a profil cylinder (PC=30.5/30.5),  
Wicket door opening outwards, frame profiles in aluminium E6/EV1

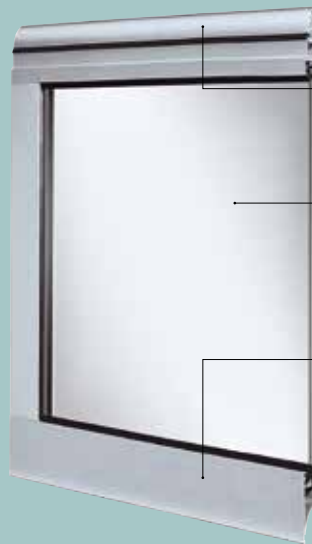
<sup>1)</sup> For optical reasons, some door heights are not available in centre beading.



# TECKENTRUP

## SLX 40 SECTIONAL DOOR

- MODERN, ELEGANT DOOR AESTHETICS
- LARGE GLASS PANELS WITHOUT MULLION - UP TO 3000 MM
- GLASS PANEL WITH SYNTHETIC DOUBLE GLAZING



### Aluminium frame construction

Made from aluminium tubular profiles, E6 / EV1

### Glass panels:

- Maximum section height: 750 mm
- As standard with scratch-resistant 19 mm synthetic double glazing

### Surface:

- In anodised E6 / EV1 or with high-quality powder coating in RAL or NCS tones
- High scratch and impact resistance
- Corrosion-proof

### Installation in

Masonry, concrete, steel structures

### Size range / nominal dimensions

Width: 2000 – 4000 mm,

Height: 1875 – 6000 mm

(Additional dimensions upon request)

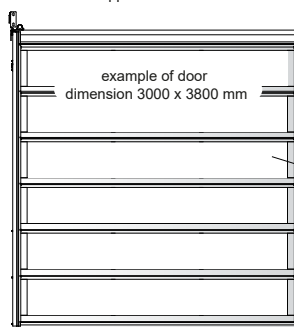
### Door leaf

- Frame construction made of aluminium profiles; cold-rolled section without thermal separation: AL-MG-SI 0.5
- Anodised E6/EV1 surface, filled as standard with 19 mm synthetic double glazing, colourless, scratch-resistant
- Synthetic holding strip black, with seal
- Additional filling with triple glazing
- Due to the design, a mullions division is only necessary from a width of < 3000 mm

### SLX 40 (exterior view)

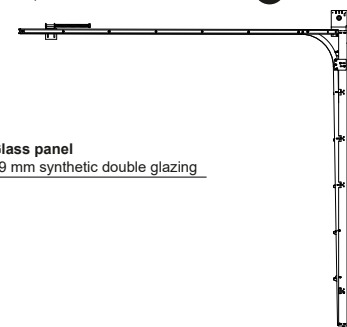
The door is supplied without mullions for door widths of 3,250 mm.

normal-fitting **N**



example of door dimension 3000 x 3800 mm

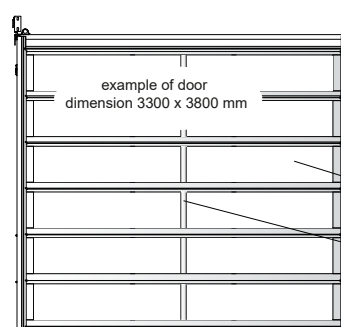
Glass panel  
19 mm synthetic double glazing



### SLX 40 (exterior view)

A centre mullion is supplied for door width of > 3,000 mm.

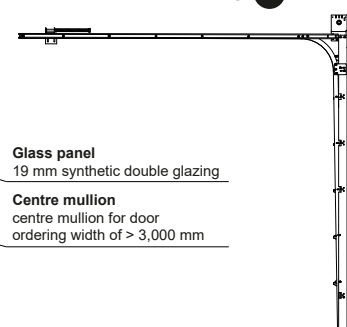
normal-fitting **N**



example of door dimension 3300 x 3800 mm

Glass panel  
19 mm synthetic double glazing

Centre mullion  
centre mullion for door ordering width of > 3,000 mm



# ENERGY-EFFICIENT AND HEAT-INSULATING

## **The 80 series**

The SW 80, SL 80 and SLW 80 industrial sectional doors have a door leaf thickness of 80mm. They are thus the first choice for all areas that require high-quality thermal separation. With the SL80 and SLW80 door types, heat insulation including glazing elements are possible.



### SW 80 sectional door

Combines efficiency and robustness

The SW 80 special door ensures optimal cold and thermal insulation and is extremely resilient, even with high wind loads. It is suitable for special applications in refrigerated warehouses, beverage warehouses, and vegetable and fruit warehouses.

### SL 80 sectional door

Diverse looks and excellent light penetration

Implementing efficient thermal insulation and, at the same time, utilising the many possibilities of lighting design – this is made possible with the SL 80 industrial sectional door. The glazing will convince you with its excellent thermal insulation values and delicate appearance.



### SLW 80 sectional door

Elegant transparency

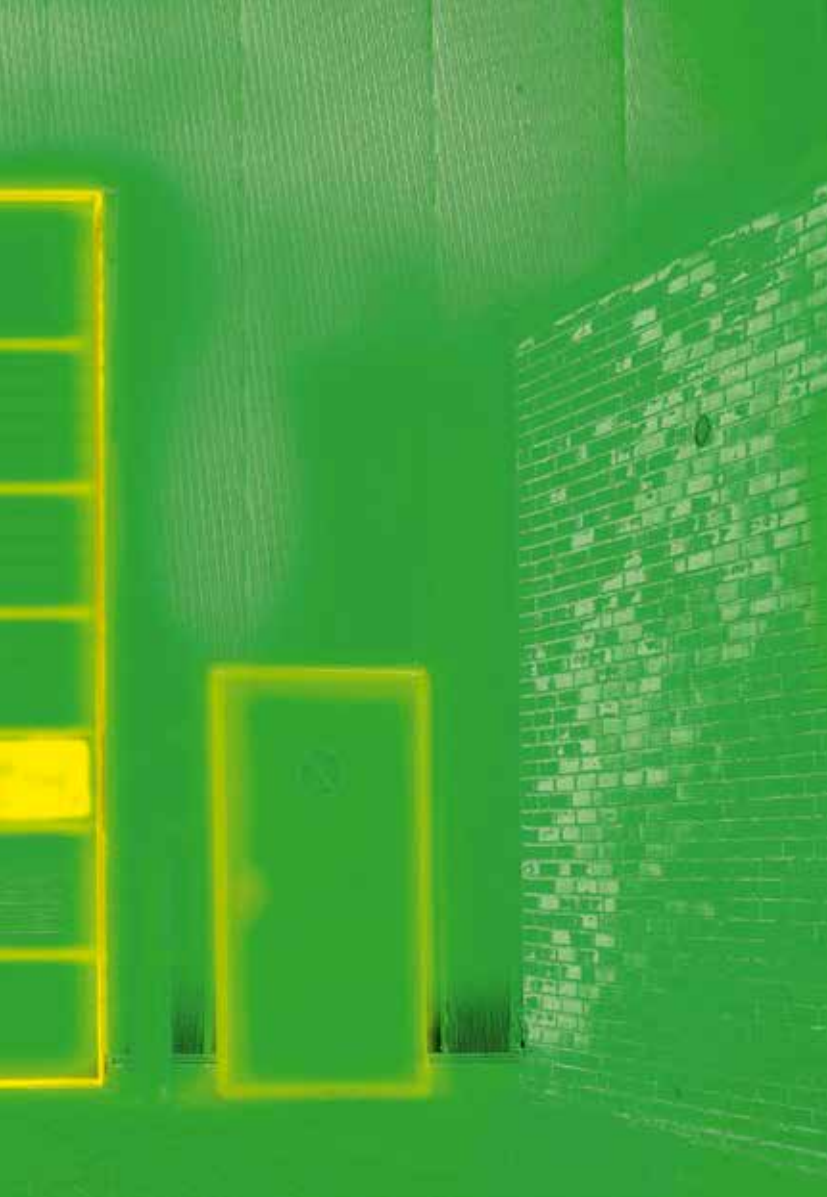
The SLW80 sectional door with steel slat base and elegant aluminium frame design is the perfect combination of heat insulation, robustness and optimal light penetration.

A thermal image showing a sectional door. The door is composed of several horizontal panels. The top panel is a bright yellow, indicating high heat. The middle panels are a dark green, indicating low heat. The bottom panel is a bright yellow, indicating high heat. This visualizes the thermal separation between the panels, where the middle panels act as an insulating barrier between the warmer top and bottom sections.

# THERMAL SEPARATION OF PANELS

Our products attain a great thermal effect by combining many constructive features: The double-walled, 80mm thick steel panels are coated with highly-insulating polyurethane (PU) foam and thermally separated from one another. In addition, the door leaf is equipped with a rot-free double seal. In this way, it achieves **an extremely low  $U_p$  value of  $0.58\text{W}/(\text{m}^2\text{K})^*$** . A quality that effectively minimises cold or heat losses and tangibly reduces energy costs.

\* Refers to a closed SW 80 door with an area of 5x5 m.



**Double side seal**

The high insulating effect is achieved by the double side seals between the frame and door leaf.



**Floor seal**

The rot-proof bottom seal made from non-freeze EPDM rubber profile smooths out floor unevenness and protects from cold and damp.



**Top seal**

It securely closes, seals and insulates the door in the lintel across its full width.





# TECKENTRUP

## SW 80 SECTIONAL DOOR

- 80 MM STEEL SECTIONS FOR 50% MORE HEAT INSULATION
- EXTREMELY LOW  $U_D$  VALUE OF  $0.58 \text{ W}/(\text{m}^2\text{K})$
- PERFECT ADDITION: HIGHLY INSULATING GLAZING



### Installation in

Masonry, concrete, steel structures, wood

### Size range / nominal dimensions

Width: 2 000 – 8 000 mm,  
Height: 1 875 – 6 000 mm  
(Additional dimensions upon request)

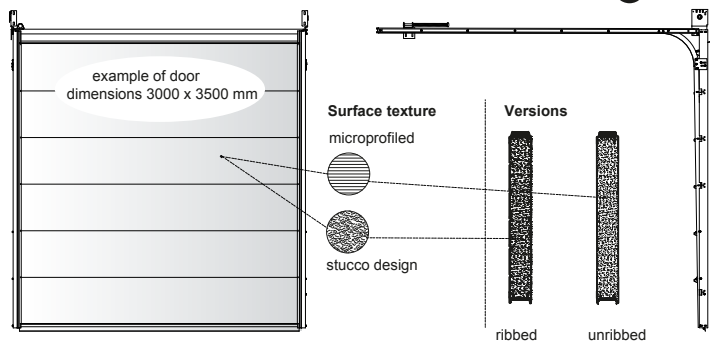
### Door leaf

- Door leaf thermally separated, consists of individual door sections, galvanised steel sheets; installation depth: 80 mm
- Insulation: polyurethane foam
- Exterior side without ribs, micro-profiled, interior side stucco-patterned. Optional: interior and exterior horizontally lined and stucco-patterned. As standard in grey white (similar to RAL 9002), optionally available in all RAL colours

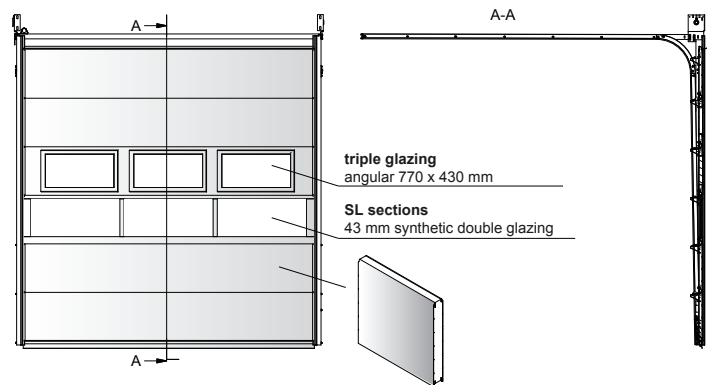
### Glazing (optional)

Upon request, we can also supply the SW 80 with glazing elements. To this end, highly insulating triple or quadruple glazing elements are used. Also optionally available in extremely scratch-resistant version.

SW 80 (exterior view)



SW 80 with glazing (optionally)





# TECKENTRUP

## SL 80 SECTIONAL DOOR

- ALUMINIUM FRAME FOR DELICATE OVERALL IMPRESSION
- EFFICIENT THERMAL INSULATION
- WITH MANY OPTIONS FOR LIGHT DESIGN



**Aluminium frame construction**  
made from thermally separated profiles, E6 / EV1: optionally available with powder coating in RAL or NSC tones

- Glass panels:**
- Maximum section height: 750 mm
  - Standard 43 mm triple glazing

### Installation in

Masonry, concrete, steel structures, wood

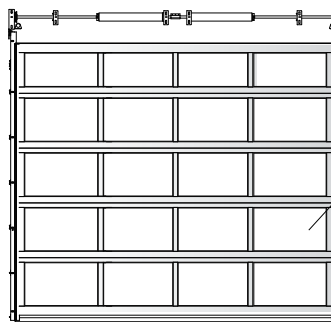
### Size range / nominal dimensions

Width: 2000 – 6750 mm,  
Height: 1875 – 6000 mm  
(Additional dimensions upon request)

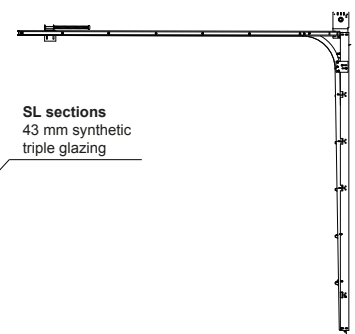
### Door leaf

- Aluminium frame construction in thermally separated design
- Anodised E6/EV1 surface, filled as standard with 43 mm synthetic triple glazing, colourless
- Anodised aluminium holding strip in E6/EV1 with seal
- Optional: Quadruple glazing, scratch-resistant surface, etc.

SL 80 (exterior view)

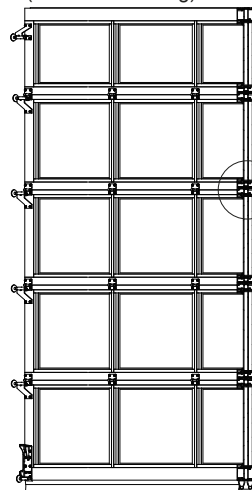


normal-fitting **N**

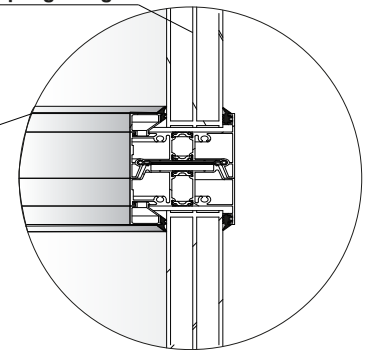


SL sections  
43 mm synthetic  
triple glazing

Profile door leaf  
(sectional drawing)



triple glazing



10



# TECKENTRUP

## SLW 80 SECTIONAL DOOR

- HIGH LOAD CAPACITY WITH STEEL SLAT BASE
- ELEGANT ALUMINIUM FRAME CONSTRUCTION
- EXCELLENT LIGHT PENETRATION FOR BETTER WORKING ATMOSPHERE



**Aluminium frame construction**  
made from thermally separated profiles, E6 / EV1, optionally available with powder coating in RAL or NSC tones

**Glass panels:**

- Maximum section height: 750 mm
- Standard 43 mm triple glazing

**Surface:**

- Exterior micro-profiled, interior stucco-patterned
- As standard with priming coat on both sides in many standard colours or other colour tones per RAL or NCS

### Installation in

Masonry, concrete, steel structures

### Size range / nominal dimensions

Width: 2000 – 6750 mm,  
Height: 1875 – 6000 mm  
(Additional dimensions upon request)

### Door leaf

#### Bottom section:

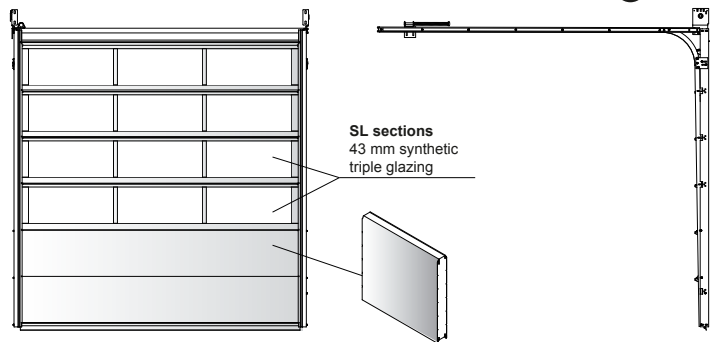
- Consists of one SW 80 door section, galvanised steel sheets
- Installation depth: 80 mm
- Insulation: polyurethane foam
- Surface: Panel exterior horizontally ribbed, stucco-patterned or without ribs, micro-profiled, interior always stucco-patterned, standard colour tone similar to RAL 9002 grey white

#### Above bottom section:

- Glazed strip as separate section made of aluminium profiles in thermally separated design
- Anodised E6/EV1 surface, filled as standard with 43 mm synthetic double glazing, colourless, anodised aluminium holding strip, E6/EV1 with seal
- Optional: Quadruple glazing, scratch-resistant surface, etc.

SLW 80 (exterior view) Bottom section 1220 mm

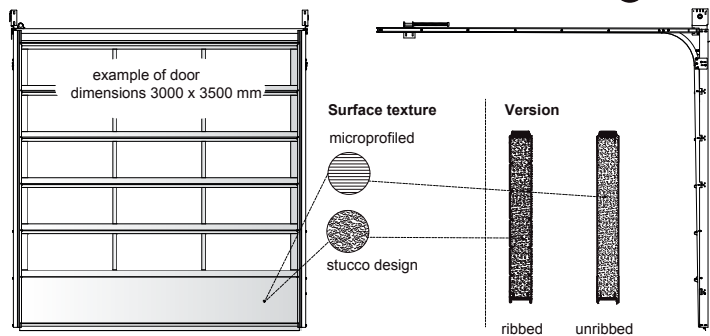
normal-fitting **N**



SL sections  
43 mm synthetic  
triple glazing

SLW 80 (exterior view) Bottom section 610 mm

normal-fitting **N**



Surface texture  
microprofiled  
stucco design

Version

ribbed unribbed

SECURE, FAST  
AND RELIABLE



## FIRE STATION DOORS

If the worst comes to the worst, speed is of the essence. This is why our doors that are designed specially for use in fire stations attain opening speeds of at least 25cm/s. Real fast movers that fulfil all requirements of fire station doors per DIN 14092.

The generous glazing permits a great deal of daylight to penetrate into the building. This saves electric light, is pleasant to the eyes, and makes interior spaces appear larger. The aluminium construction and scratch proof glazing also make the doors very robust and easy to maintain.



At this fire station, 47 sectional doors ensure smooth operations. Incorporated in the emergency concept, they guarantee the rapid deployment of emergency vehicles at all times.



In combination with an intelligent controller, the TAS 1/TAS 2 drive ensures smooth running and smooth stops. Material-friendly door movements that guarantee secure operation with long lifespan. In the event of power loss, the doors can be rapidly opened manually via an unlocking system. Among other things, the door and fittings concept is individually adapted to the vehicle types. If required, the control systems can be fitted with signal lights. This means that nothing stands in the way of smooth operations.



## WICKET DOORS

### Facts about the wicket door:

- Frame profiles made from aluminium E6 / EV1
- Internal 2D hinges
- Double door seal
- Optionally available in door colour
- Threshold heights: 23 mm, 85 mm or 200 mm
- All wicket doors include slide rail door closer as standard
- Supplementary equipment: electric door opener, magnetic contact, bolt contact etc.

In the event of high temperature gradients, substantial amounts of heat are lost everytime a door is opened. This is why wicket doors make an effective contribution to energy saving and environmental protection. We optimised our wicket door according to our standard "Design meets safety". The results: A nearly flush look as well as a high-quality finish in anodised aluminium. In addition, it scores points with concealed internal 2D hinges, a 3-fold locking and increased burglary protection. Teckentrup offers wicket doors with a lower threshold of 23 mm. These allow trolleys and other transport devices to pass through unhindered. The wicket door fits harmoniously into the door leaf due to its integrated finger-pinch guard and narrow profile geometry. With flexible floor seal made of rot-proof EPDM.

Leading photocell



### Leading photocells

For doors with a low threshold of 23 mm, e.g. a leading photo cell must be used according to safety category E. When the door closes, two travelling sensors detect contactless persons, vehicles or other obstacles in the danger zone before they come into contact with the door. This leading photo cell causes the door to stop and open immediately. An additional safety photo cell in the passage area is not required.

Lichtgitter



### Light grid

As an alternative to the leading light barrier, a light grid can be used as a closing edge. The light grid is mounted in the guiding rail. This protects it from collision damage. If one of the light beams is interrupted because a person or a vehicle is in the closing area of the door, the door cannot be closed or reopens a door that is already closing.







## SIDE DOORS

Side doors fit harmoniously into a uniform design concept. They are equipped with a three-side double buffer seal and a slide seal in the threshold area. Upon request, a broad spectrum of additional types are also available to you. These include panic fittings, door closers, electric attachments and much more.

### Facts about the side door:

- Door frame made of extruded aluminium profiles, E6/EV1 surface
- Filled as standard, with panels of type SW 40
- Optionally available with sandwich glazings, Aluminium glazed strip (SL 40)
- Optionally available in RAL as desired (see page 37)
- Optionally available with upper casing in door style
- Also as 2-leaf side door
- Integrated in emergency path concepts (panic fittings)
- Supplementary equipment: electric door opener, triple lock, overhead door closer etc.







# AESTHETIC APPEARANCE

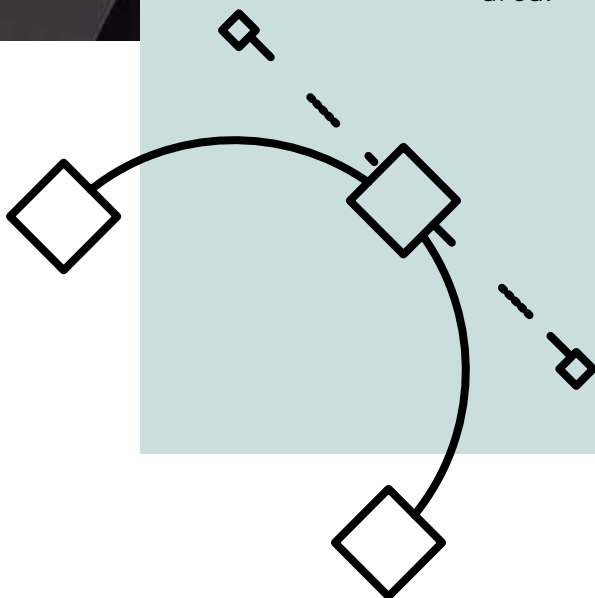
**There are no shortcomings in the design either:**

Our industrial doors are available with a number of designs and furnishings and will match the architectural aesthetics of any building façade.

**Choose from numerous design options:**

Whether it's colours, surfaces, glazing and looks, here you will find the right solution that fits your requirements.

Due to their appealing modern look, for example with chic glazing elements, our industrial doors are true eye-catchers within the entire industrial area.





# OUR DESIGN VARIETY CATERS TO EVERY DEMAND

**Always suitable for every design requirement:** With the combination of embossing, surface structure and colour, you can design industrial sectional doors with character and suitable for any desired look.

## THE RIGHT LOOK FOR EVERY DESIGN REQUIREMENT



Styling without ribs



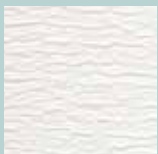
Styling centre rib<sup>1)</sup>



Styling rib

## SURFACES

Diese Torblatt-Oberflächen stehen Ihnen zur Verfügung.



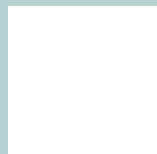
Woodgrain



Stucco



Micro-profiled



Smooth

Enormous variety in optics and surfaces

<sup>1)</sup> For optical reasons, some door heights are not available in centre beading.

# STANDARD COLOURS

**Always match your tastes:** Irrespective of what façade design you are planning, our industrial sectional doors fit harmoniously in all cases. This ensured by a broad spectrum of many standard colours or additional colour tones per RAL or NCS.



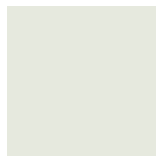
Traffic white  
RAL 9016



Grey aluminium  
RAL 9007



White aluminium  
RAL 9006



Grey white  
RAL 9002



Sepia brown  
RAL 8014



Anthracite grey  
RAL 7016



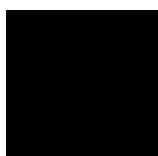
Fir green  
RAL 6009



Flame red  
RAL 3000

## EVEN MORE SELECTION FOR SW 40 AND SLW 40

Combine design with functionality. Thanks to the combination of an industrial door fitting with a CarTeck garage door leaf, additionally you can choose from the trend colours and wood decors of our CarTeck garage doors for the 40s series.



Jet black  
RAL 9005



Creme white  
RAL 9001



Window grey  
RAL 7040



Quartz grey  
RAL 7039



Light grey  
RAL 7035



Umbra grey  
RAL 7022



Steel blue  
RAL 5011



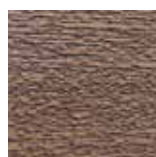
Slate grey  
RAL 7015



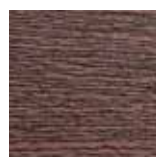
Wooden décor  
Golden Oak TF<sup>2)</sup>



Wooden décor  
Winchester TF



Wooden décor  
Night Oak CC<sup>2)</sup>



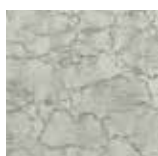
Wooden décor  
Mahogany CC<sup>2)</sup>



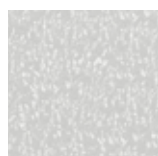
TT 703  
Grey<sup>3)</sup>



TT 7016  
Wrinkle<sup>3)</sup>



TT 9007  
IceCrystal



TT 9016  
Bling White

<sup>2)</sup> Finished with final coating.

<sup>3)</sup> Metallic effect with iron mica particles, not high gloss.

# GLAZING ELEMENTS

An improved scratch resistance of up to 20% with simultaneous improved light transmission – made possible by the synthetic glazings developed by Teckentrup. For this reason we install them as standard in our industrial sectional doors. Additionally, with respect to sound insulation, impact resistance and protection from yellowing, the synthetic glazing exhibits substantially improved values. For industrial doors exposed to particularly high mechanical stress, we offer glazings with the maximum degree of scratch resistance in addition to the standard glazings.



Frame profile with 19 mm synthetic triple glazing, clear



Frame profile with 19 mm synthetic double glazing, satin exterior



Frame profile with 19 mm synthetic double glazing, exterior crystal structure



Frame with ISO panel



Frame profile with 19 mm synthetic double glazing, tinted brown; light transmission of approx. 50 %



Frame profile with 19 mm synthetic double glazing, tinted green; light transmission of approx. 70 %



Frame profile with 19 mm synthetic double glazing, tinted grey; light transmission of approx. 43 %



Aluminium perforated sheet, Free ventilation cross-section, approx. 44 %



Section with Expanded metal (stainless steel)



Section with sandwich glazing, Type A (rectangular)



Section with sandwich glazing, Type B (rounded)



Section with ventilation grille

16

Glazing & fillings variants

200

RAL colours

3

Optics & surfaces



8

Additional looks & surfaces from the varied Teckentrup industrial sectional door product line

2

Door leaf thicknesses: 40 and 80 mm

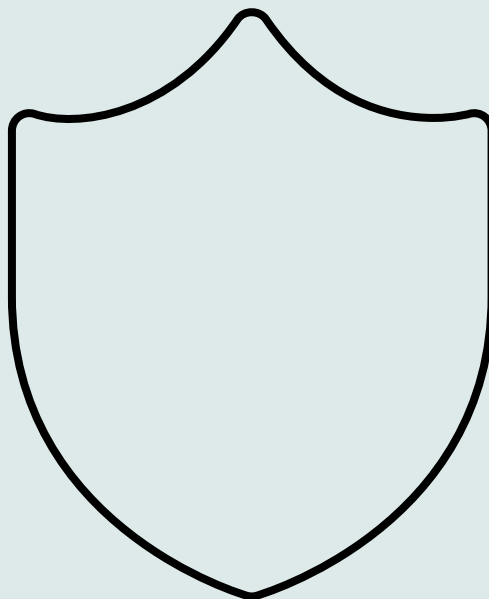
---

Over 100 000 individual design options

---

# DOORS FOR MORE SECURITY

The tried and true security functions of our sectional doors meet today's requirements for the reliable functioning of an integrated system. From the durability of all materials to speed while opening, our sectional doors provide a high degree of security.









# TECHNOLOGY THAT CONVINCES

Our industrial sectional doors meet all safety requirements of the applicable European standards and the provisions of EN 13241-1. This ensures that all the components of our products are designed for a broad spectrum of safety-relevant aspects, in particular:

- Mechanical influences
- Heat insulation
- Seal
- Safety of use
- Sound insulation
- Wind load



### 1 Floor seal

Rot-proof bottom seal made from elastic and non-freeze EPDM rubber profile smooths out floor unevenness and protects from cold and damp.



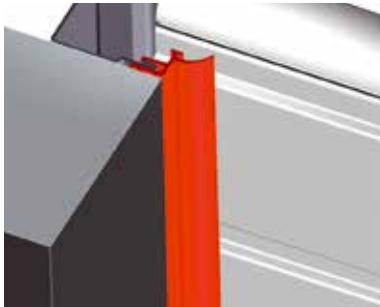
### 2 Centre seals

The door is also sealed in an optimum manner between the individual sections across its entire width.



### 3 Top seal

It securely closes, seals and insulates the door in the lintel across its full width.



### 4 Side seal

The seal lips on the lateral abutment strips thermally separate the frame from the outside. This means that an additional seal is often not necessary.



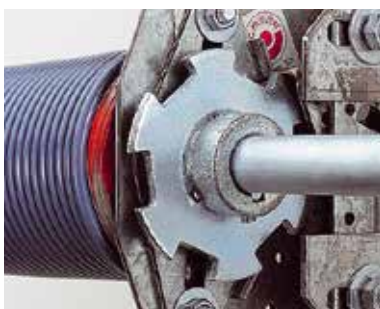
### 5 Finger-pinch guard/ hand guard

A finger-pinch guard for the exterior and interior side of the door as well as the side hand guard prevents people from accidentally reaching between the sections or between the frame and guide rail.



### 6 Low-noise door movement

Durable roller block made of galvanised steel and ball-bearing mounted rollers ensure the longest service life and quiet door movement.



### 7 Spring break safety device

Stops the shaft from turning in the event that the torsion spring breaks. The door will stop in place. This securely prevents the door from dropping.



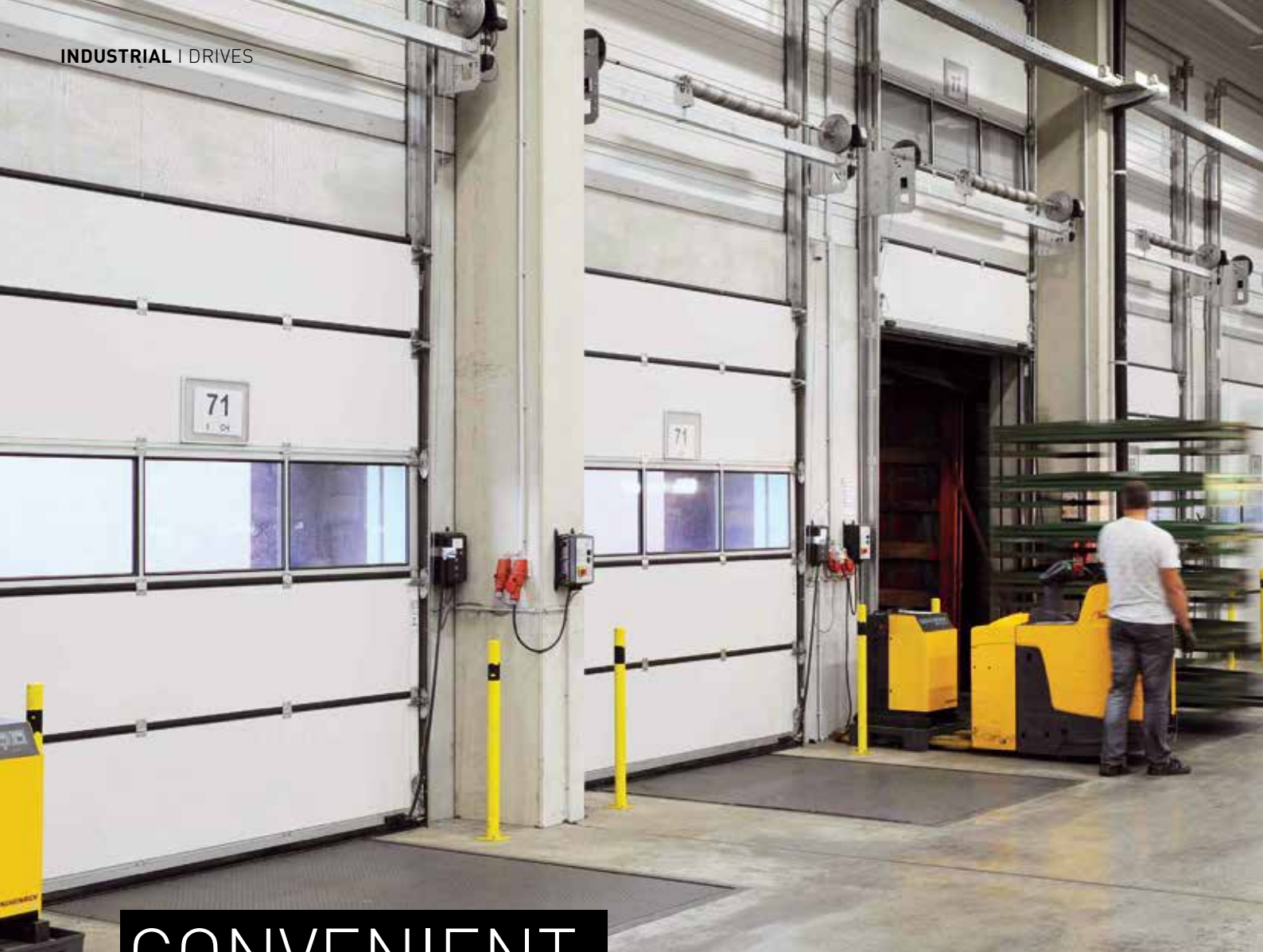
### 8 Closing edge mechanism

Electrically operated doors with pulse control receive a closing edge mechanism pre-installed during production which not only stops the door in accordance with ASR A1.7 when encountering an obstacle, the door is also immediately released by reversing.



### 9 Secure shaft connection

Installation-friendly, secure and stable torsion spring shaft connection.



# CONVENIENT OPERATION

At Teckentrup, the drive, control system and operating elements form a complete unit that is optimally matched to the doors and their applications. This means you benefit from a ready-to-use system! For pulse-controlled operation, we offer a variety of modern and reliable technologies such as photocells, induction loops, radar movement sensors and much more. Solutions for manual and drive-operated doors are available depending on the requirements.



## ELECTRICALLY OPERATED DOOR SYSTEMS



### Direct-mount drive with emergency manual chain

In the event of power failure, the door can be conveniently operated from the floor by hand.



### Chain drive

The use of a space-saving chain drive is recommended in the event of limited lateral space being available.



### Direct-mount drive with emergency manual chain (rotated below 40°)

Cost-effective variants for emergency operation. Also in the event that an emergency chain is disruptive.



### Overhead drive

Quiet operation as well as gear-protecting and low-wear technology. The motor monitors the closing forces according to EN 12453.



### TAV with emergency hand chain

Shaft drive with modern 24 DC technology. Only a 230 AC connection is required. Spiral cable, slack rope switch and closing edge safety device are not required. Soft start and soft stop for gentle door operation. Programming via APP or Command 108. Operation is convenient from the floor with the 3-fold push button CS-I.



### TAV with emergency hand crank

## MANUALLY-OPERATED DOOR SYSTEMS



Hand chain hoist with 1:4 gear transmission ratio.



Convenient operation via force reduction, including chain retaining.



For small doors: A hand chain as a simple, inexpensive variant.



Microprocessor control with absolute transmitter evaluation. Simple, secure programming using the LED module or the 3 button navigation system on the LCD monitor with multi-language clear text display, optional red-green light to show door status, with visual warning messages (for use in underground garages, car workshops). The CS 320 control system has two potential-free end position sensors.

Fast-running CS 320 FU version with frequency converter. 'Soft' start and stop for material-friendly door operation and secure functioning.

Command 108 handheld programmer for convenient programming and operation. Display and change of all parameters in quick and special programming

Push-button CS-I 15 with 3 illuminated push-buttons for OPEN/STOP/CLOSE. LED display for programming the basic settings such as end positions, radio impulse, automatic closing, reset.



2-channel hand-held transmitter



4-channel hand-held transmitter



10-channel hand-held transmitter



99-channel hand-held transmitter



Exposed key-operated switch



Concealed key-operated switch



Radio code switch



Concealed key-operated switch with stop button



LED signal lamps



Internal radio receiver for CS 310, pluggable



Internal radio receiver for CS 310, plug-in



Emergency stop switch



„basic2open“  
Radar motion detector with direction detection



„easy2open“  
Radar motion detector with active infrared presence sensor



„3d easyscan“  
Laser-assisted opening, presence and safeguarding sensor



Electric lock  
Mounting on door frame and automatic locking after closing process



Push button "Open - Stop - Close"



Push button "Open - Emergency stop - Close"



Lockable push button "Open - Emergency stop - Close"



Lockable push button "Open - Stop - Close"



One-way photocells



Reflective photocells



Leading photo cell

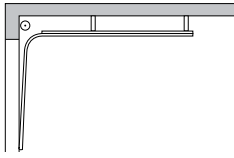


Light grid

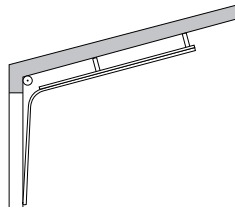
# FOR ALL STRUCTURAL CONDITIONS

**Industrial door fittings:** High or low headroom, flat or pitched roof – the fitting systems from Teckentrup are as variable as the local structural conditions. Should technical installations, such as a crane track, need to be circumvented, this is also possible without issue.

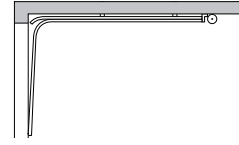




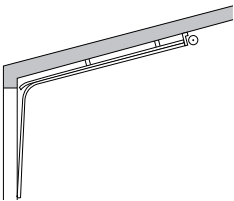
Normal fitting



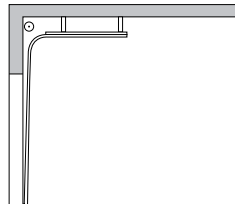
ND: Normal fitting following roof line (max. 30°)



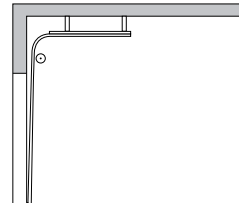
NSH: Low-headroom fitting with rear-mounted spring shaft



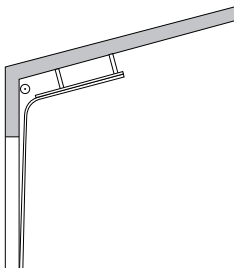
NSD: Low-headroom fitting following roof line (max. 20°)



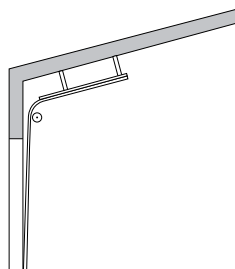
HL: High-lift guide rail fitting



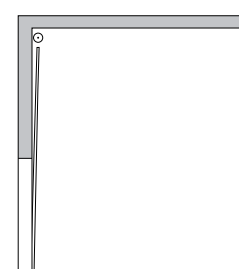
HLU: High lift guide rail fitting with underlying torsion spring shaft



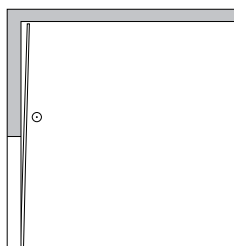
HLD: High lift guide rail fitting following roof line (max. 30°)



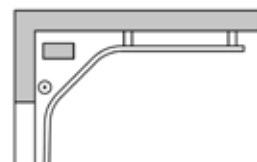
HLDU: High lift guide rail fitting following roof line and underlying torsion spring shaft



VL: Vertical lift fitting



VLU: Vertical lift fitting with underlying torsion spring shaft



Fittings with 2x45° deflection: Ideal for avoiding obstacles in the lintel area

Types of door and technical data	Industrial sectional doors	
	SW 40	SL 40
<b>PERFORMANCE CHARACTERISTICS PER EN 13241-1</b>		
Resistance against wind loads per EN 12424 (without wicket door), class	2 (3 optional)	2
Resistance against wind loads per EN 12424 (with wicket door, without glazing), class	2	2
Water penetration resistance per EN 12425 (without wicket door), class	2/3*	2/3*
Water penetration resistance per EN 12425 (with wicket door), class	1/3*	1/3*
Air permeability per EN 12426 (without wicket door), class	3	3
Air permeability per EN 12426 (with wicket door), class	3	3
Thermal insulation in accordance with EN 13241, Annex B EN 12428 (without wicket door – approx. 25 m <sup>2</sup> door area), U <sub>d</sub> in W/(m <sup>2</sup> K)	1.2	3.3
Thermal insulation in accordance with EN 13241, Annex B EN 12428 (with wicket door – approx. 25 m <sup>2</sup> door area), U <sub>d</sub> in W/(m <sup>2</sup> K)	1.4	3.7
Noise insulation value per EN 717-1 (without wicket door), R <sub>w</sub> in dB	24	–
Fire performance per DIN EN 4102, door leaf element building material class	B2	B2
<b>DOOR SIZES</b>		
Width, maximum, in mm	8000	8000
Height, maximum, in mm	6000	6000
Door leaf weight, in kg/m <sup>2</sup>	approx. 12	approx.
<b>DOOR LEAF (SELF-SUPPORTING), MATERIAL DESIGN</b>		
Installation depth, in mm	40	40
Steel panels, PU foam insulation	■	–
Aluminium panels, frame profile with filling	▲	■
Aluminium panels, frame profile with filling, thermally separated	–	–
<b>DOOR LEAF, SURFACE FINISH</b>		
Galvanised steel, coil coating in 8 standard colour tones	■	–
Galvanised steel, painted in RAL or NCS as desired	▲	–
Anodised aluminium, E6 / EV1	▲	■
Aluminium powder-coated in RAL as desired	▲	▲
Side door (appearance matches door leaf)	▲	▲
Wicket door (integrated into the door leaf)	▲	▲
<b>GLAZING OPTIONS/FILLINGS</b>		
Sandwich glazing, Type A / Type B	▲	–
Sandwich glazing for SW 80 (synthetic triple glazing, rectangular)	–	–
19 mm synthetic double glazing	▲	■
19 mm synthetic double glazing	▲	▲
43 mm synthetic triple glazing/synthetic quadruple glazing	–	–
Enhanced scratch-resistance for synthetic glazings	▲	▲
Ventilation elements as aluminium perforated plate, stainless steel (V2A) expanded screen (V2A)	▲	▲
<b>SEALS</b>		
4-side circumferential and centre seal between the sections	■	■
Double side and bottom seal	–	–
<b>LOCKING SYSTEMS</b>		
Interior locking systems	▲	▲
External/internal locking systems electrically polled (only for electrically operated doors)	▲	–
PC sliding bolt	■	–
<b>SAFETY EQUIPMENT</b>		
Finger-pinch guard	■	■
Side hand guard	■	■
Spring fracture safety mechanism with manual operation	■	■
<b>ELECTRICAL EQUIPMENT</b>		
Electric drive (TAS) with controller	▲	▲
Electric drive (TAV) with controller	▲	▲
Automatic operation with closing edge mechanism	▲	▲
Radio, hand-held transmitter, light barriers, light grid	▲	▲
Electric lock	▲	▲
Radar motion detector, laser-assisted opening sensor	▲	▲
<b>ATTACHES TO</b>		
Concrete, steel, masonry	■	■
Wood	■	■
Others available upon request	▲	▲

■ = standard

▲ = optional

\*standard equipment

	SLX 40	SLW 40	SW 80	SL 80	SLW 80
	2	2	2 (3 optional)	3	3
	-	2	-	-	-
	2/3*	2/3*	3	0	0
	-	1/3*	-	-	-
	3	3	3	3	3
	-	3	-	-	-
	3.5	3.1	0.59	2.3	2.1
	-	3.5	-	-	-
	-	23	23	25	25
	B2	B2	B2	B2	B2
	4 000	8 000	8 000	6 750	6 750
	6 000	6 000	6 000	6 000	6 000
ox. 12	approx. 12	approx. 12	approx. 13	approx. 13	approx. 13
	40	40	80	80	80
	-	■	■	-	■
	■	■	-	-	-
	-	-	▲	■	■
	-	■	■ (only in RAL 9002)	-	-
	-	▲	▲	-	▲
	■	■	▲	■	■
	▲	▲	-	▲	▲
	▲	▲	-	-	-
	-	▲	-	-	-
	-	-	-	-	-
	-	-	▲	-	-
	■	■	-	-	-
	▲	▲	-	-	-
	-	-	▲/▲	■/▲	■/▲
	▲	▲	▲	▲	▲
	-	▲	-	-	-
	■	■	■	■	■
	-	-	■	■	■
	▲	▲	▲	▲	▲
	-	▲	▲	-	▲
	-	■	-	-	-
	■	■	-	-	-
	■	■	■	■	■
	■	■	■	■	■
	▲	▲	▲	▲	▲
	▲	▲	▲	▲	▲
	▲	▲	▲	▲	▲
	▲	▲	▲	▲	▲
	▲	▲	▲	▲	▲
	▲	▲	▲	▲	▲
	■	■	■	■	■
	-	■	■	■	-
	▲	▲	▲	▲	▲



DESIGN | SECURITY | SERVICE

Professional solutions

We provide customised solutions for your individual requirements. With our door solutions, you can count on more design, security and service.

[WWW.TECKENTRUP.BIZ](http://WWW.TECKENTRUP.BIZ)

We are happy to help.

**TECKENTRUP**  
DOOR SOLUTIONS