



Roller shutter 4020

Aluminium profiles, double-skinned

Text example:

Roller shutter, double-skinned, insulated, made of aluminium profiles, galvanized consoles. Resistance to wind load in accordance with EN 12424 class 2. With header seal and prime coated winding shaft. Make: Teckentrup or equivalent. Roller shutter 4020, aluminium double-skinned. Drive: Direct mount drive 400 V (three-phase voltage), IP54, emergency crank handle, intergr. Anti-drop device, TÜV tested, maintenance-free. Control: basic version, control voltage 24 V (safety low volt.), degree of protection IP65, 20 cycles (Open/Close) per hour "close door" in deadman mode (permanent pressure), with push buttons "open-stop-close", fully wired with CEE plug. Installation behind the opening, all fastening installation elements, suitable for structure material, are supplied.

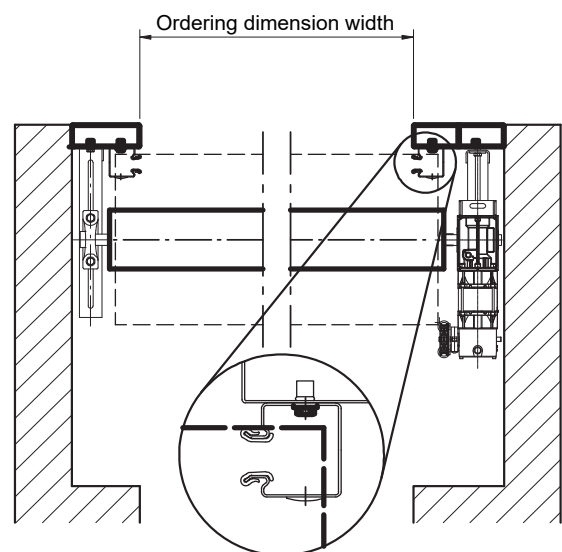
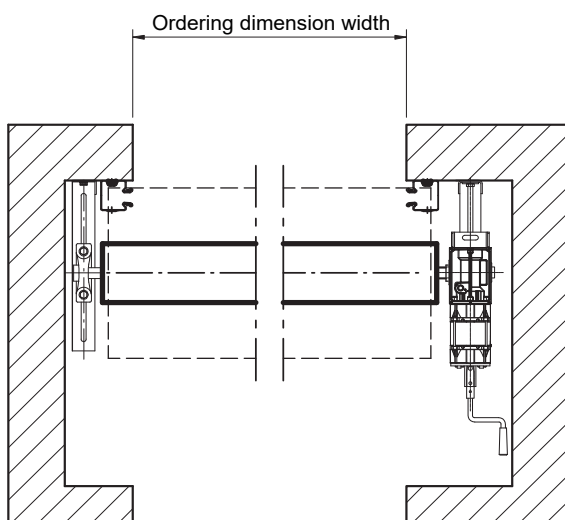
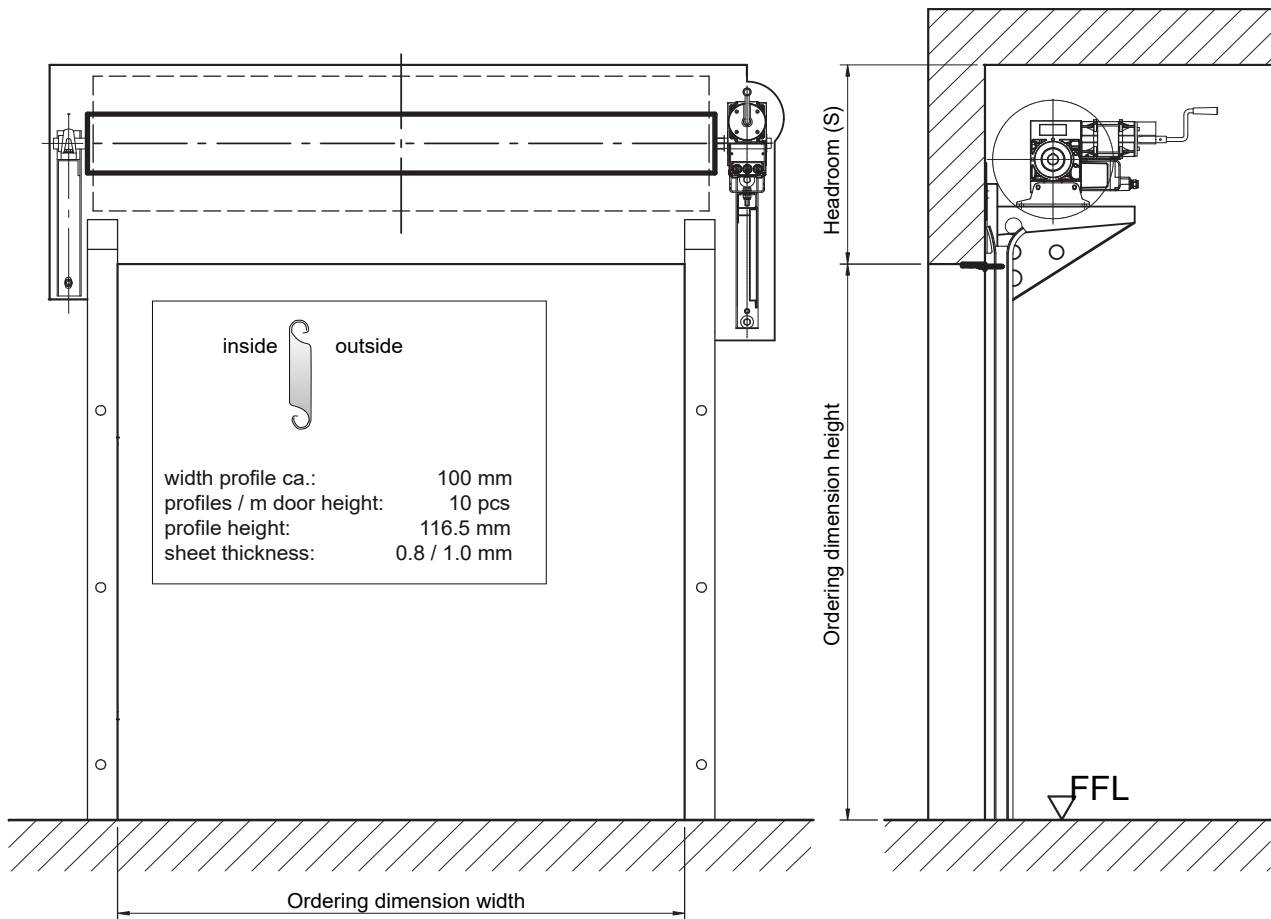
Compile and tender according to requirements. Please refer to technical data below for respective details. (Updated 01.03.2023)

Technical Data

Product	Roller shutter (Profiles made of aluminium, double-skinned).		Locking	All locks connected to door control unit via safety switches. <ul style="list-style-type: none"> Bottom seal lockable from the inside via two locking rods Bottom lockable from the in- and outside via two locking rods Sliding bolt on the inside Other types of locking mechanism on request
Installation in	Walls made of <ul style="list-style-type: none"> Masonry min. 120 mm Concrete min. 150 mm Steel Autoclaved aerated concrete only with steel frame min. 200 mm Wood min. 240 mm 		Drive	Direct mount drive with integrated anti-drop device or chain drive with separate anti-drop device and electric forced disconnection, (three-phase volt.) 400V, 50Hz, 20 cycles* per hour, degree of protection IP54, with emergency crank handle (TÜV tested and maintenance-free). Other special voltages, degrees of protection or types of emergency operation available on request. *A cycle is a complete closing and opening operation of the door.
Dimensions	Ordering dimensions width: 1.000 - 11.500 mm height: 1.000 - 12.000 mm up to 18.000 mm width available on request!		Control	For direct mount and chain drives, fully wired, with CEE plug. Basic version can be locked and used as a deadman control, easily retrofittable with: <ul style="list-style-type: none"> Self-locking "CLOSE" in connection with safety edge device Radio control Auto closing (with traffic lights) Traffic light control Digital induction loop Without safety edge mechanism: Basic version 24V control voltage (safety low volt.) degree of protect. IP65, "close door" in deadman mode (permanent pressure), push buttons "open-stop-close". With safety edge mechanism: With self-monitoring, electro-mechanical safety edge mechanism, control voltage 24 V (safety low voltage), degree of protection IP 65, "close door" and "open door" in self-locking mode with push buttons "open-stop-closed".
Resistance to wind load (EN 12424)	<ul style="list-style-type: none"> class 2 in standard up to width 11.500 mm class 3 in standard 5.000 mm class 3 available (add. charge) 8.500 mm class 1 available > 18.000 mm on request! class 2 available > 15.000 mm on request! class 4 available on request! 		Special equipment	Permanent side part with integrated door. Pivoted side part with integrated door. Curtain box made of: <ul style="list-style-type: none"> Galvanized sheet steel Natural aluminium Other versions on request Sloping bottom profile aligned to the floor, for side or roof installation
Door curtain	Door curtain, consisting of hinge-like inter-connected galvanized steel.			
Profiles	<ul style="list-style-type: none"> Double-skinned aluminium, 100 mm wide 			
Surface	<ul style="list-style-type: none"> Aluminium stucco design Plain aluminium Coil-coated aluminium with protective film on the inside 			
Glazing	Synthetic glazing, crystal clear approx. 150 mm x 55 mm			
Bottom seal	Double-skinned box profile made of aluminium with permanently elastic and frost-proof EPDM profile hose seal for a sealed bottom door edge.			
End caps	Robust, wear and corrosion-free plastic parts for fixing the profiles.			
Wind hooks	For high wind loads and/or large widths the doors are equipped with wind hooks and a reinforced bottom seal.			
Guide rails	Robust steel profiles with wear-proof, easy-to-change plastic guides.			
Winding shaft	Prime coated steel tube with welded-in shafts on both sides for drive, anti-drop or bearing seat.			
Header seal	As standard, except for doors with ventilation grilles, louvers or other types of ventilation.			
Consoles	Made of galvanized steel. If desired, with sound insulation in acc. with DIN 4109			

<ul style="list-style-type: none"> Heat insulation U-value tested acc. EN ISO 12567-1 (for dim. = 4000 x 4000 mm) U W/(m²·K) (complete door): 3,5 W/(m²·K) 	<ul style="list-style-type: none"> Sound insulation RW (tested) 20 dB 	<ul style="list-style-type: none"> Air permeability classification in acc. with EN 12426 class: 0 Resistance to wind load (R_{wtl}) classification in acc. with EN 12424 class: 2 	<ul style="list-style-type: none"> Resistance to water penetration tested in acc. with EN 12489, classification in acc. with EN 12425 class: 0
--	---	---	--

further installation details see associated installation instructions



Further documents:

The exact dimensions for the lateral buffers and the header buffer can be found in our Installation data for roller shutters and roller grilles. It contains individually dimensioned assembly drawings for each shutter. Please contact us for exceptional types of handing.