

Installation, Operating and Maintenance Instructions for Industrial Roller Shutters / Roller Grilles



Last update: 08.2015

1. Table of Contents

1.	Table of Contents	2
2.	Symbol Explanation	3
3.	Warranty	4
4.	General safety instructions	5
5.	General product information	7
5.1	Package contents	7
5.2	Diagram	8
5.3	Control measurements	8
6.	Installation	9
6.1	Preparing for installation	9
6.2	Installing the consoles	9
6.3	Installing the guide rails	10
6.4	Installing the door curtain	12
6.5	Inserting the door curtain	14
6.6	Connecting the drive	16
6.7	Setting up the end switch	16
6.8	Installing the brush strip (only for roller shutters)	17
6.9	Checking the door system	18
7.	Operation	19
7.1	Manually operated doors	19
7.2	Power-operated doors	19
8.	Maintenance	20

2. Symbol Explanation



Caution! Risk of personal injuries!

Attention! Risk of material damages!

Note

Function check

Reference

3. Warranty

Due to their frequent use wear parts have, a limited service life and are therefore excluded from warranty!

The following are classed as wear parts:

- Springs
- Cables
- Rollers
- Seals
- Cable rollers
- Drive system
- Locks / Locking mechanism
- Bowden cables
- Hinges

Warranty relating to terms of function and safety can only be provided if

- the safety and warning instructions are adhered to,
- the installation has been carried out properly and the steps were carried out in the order indicated in the instructions,
- only original Teckentrup parts and accessories are used
- no additional objects have been attached to the door,
- the components of the delivery specification have not been changed or modified
- the door has been regularly serviced,
- the operator is aware of all the relevant operating instructions (door, drive systems and safety equipment).

Warranty shall not apply if these installation and operating instructions are not completely observed.

4. General safety instructions



Note:

Please keep these instructions for future reference!

Please read and observe this manual! It provides you with important information about the safe installation and operation of the roller shutters / roller grilles. The proper care and maintenance of your door is also described here so that you can benefit from this product for many years to come.



Caution!

- The danger area is to be generously cordoned off before the installation takes place.
- People who are not involved in installing the door must not be permitted to enter the danger area.
- Installation may only be carried out by qualified experts in accordance with EN 12635.
- The installation must be carried out by at least two people.
- For reasons of safety, only carry out the installation steps in the sequence specified in these instructions.
- The door may only be installed on appropriate structures having the static integrity to support the installation.
- Installation on supporting building components must have been approved by a structural engineer.
- Pull-out testing for fixings must be performed prior to installation if the foundation is complex.
- Fixings must be tested for their suitability for the prevailing structural conditions (this also applies for the supplied fixings).
- The installation must take place from a safe place (e. g. scaffolding).
- The diagrams included have priority.

Target groups

- The Installation, connection, and commissioning:
By qualified, trained specialist personnel. See below
- The Operation, testing, and maintenance:
By the Owner of the door system. See below

Requirements for qualified and trained specialist personnel:

- Knowledge of the general and special safety and accident prevention regulations.
- Knowledge of the applicable electrical engineering regulations.
- Training in the use and upkeep of appropriate safety equipment.
- Adequate instruction and supervision by electricians.
- Capability of recognising dangers which can be caused by electricity.
- Skill in the application of the following standards
 - EN 12635 ('Industrial, commercial and garage doors and gates. Installation and use'),
 - EN 12453 ('Industrial, commercial and garage doors and gates. Safety in use of power operated doors. Requirements'),
 - EN 12445 ('Industrial, commercial and garage doors and gates. Safety in use of power operated doors. Test methods'),

Requirements for the owner of the door system:

- Familiarity with and safekeeping of the operating manual.
- Knowledge of the general safety and accident prevention regulations.

Special requirements apply for the following users:

- Children ages 8 and older.
- Persons with reduced physical, sensory, or mental capabilities.
- Persons lacking in experience and knowledge.

These users may only be involved in the operation of doors.

Special requirements:

- Users are supervised.
- Users have been instructed with regard to the safe use of the equipment.
- Users understand the dangers involved with the equipment.
- Children MUST not play with the equipment.

4. General safety instructions

Site requirements for installation / operation:

At the construction site please ensure that:

- the floor is at its finished height,
- the finished floor is even and level,
- the walls must be flush on the opening side.

To eliminate the risk of corrosion:

- Provide sufficient drainage outside the garage in front of the floor seal and frame parts!
If necessary, plan a sloping run-off surface!
- Make sure that the building is dry and has sufficient ventilation!
- Protect the door against corrosive and caustic agents, e.g. saltpetre reactions from bricks or mortar, acids, alkalis, road salt, corrosive paints or sealing compounds!
- Always cover the door before plastering or painting, since spots of mortar, cement, plaster or paint can damage the surface.

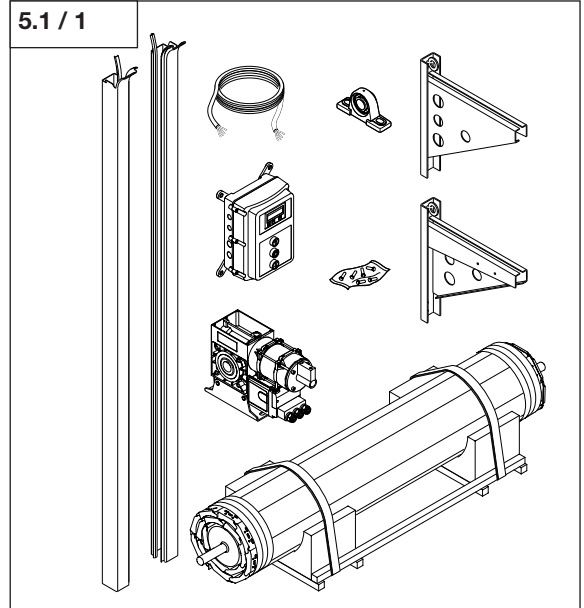
5. General product information



5.1 Package contents

- Door package
- Accessories package
- Drive system (optional)

Please see the package list supplied for specific details.

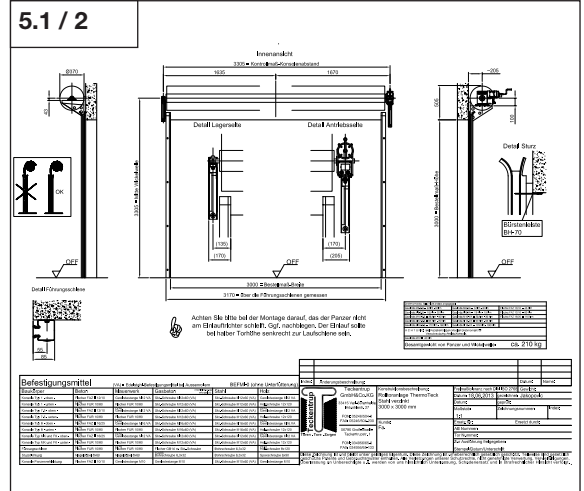


Note:

A door-specific diagram is included with the roller shutter.

The information in this diagram is appropriate to the local installation situation.

This information in this diagram has always precedence and must be observed.



5. General product information

5.2 Diagram

The diagrams show the drive installed on the inner right-hand side.

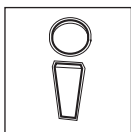
If the drive is installed on the inner left-hand side, the instructions must be followed in an inverse manner.

All measurements are given in millimetres.

Variable measurements that are determined on the door itself or with the assistance of the door-specific diagram are marked with (X).

We reserve the right to make technical changes.

5.3 Control measurements

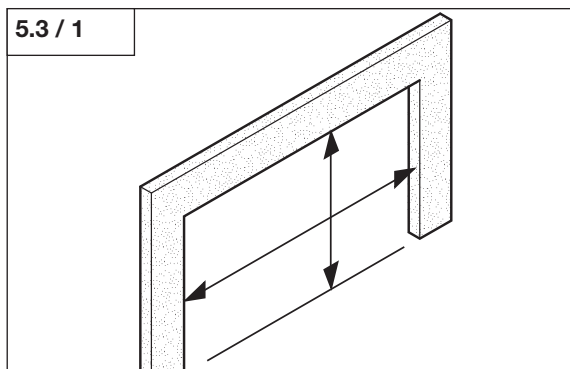


Reference:

See the order confirmation or the door-specific diagram for information on the ordering dimensions of the door.

- Check that the ordering dimensions of the door are compatible with the structural conditions.
- Before installation, test the production tolerances of all the components.

5.3 / 1



Note:

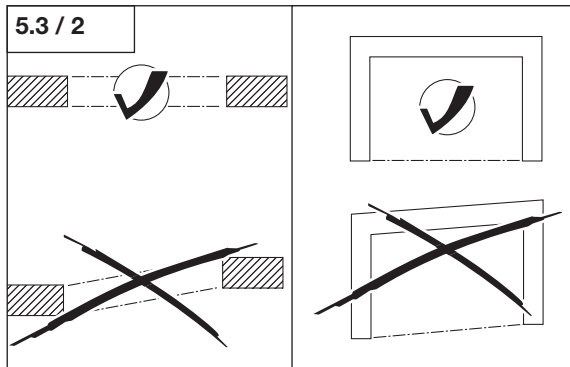
The following conditions must apply before the door can be installed:

- The finished floor must be level and horizontal.
- The walls on the open side must be in alignment with one another.

Any permissible deviations must be clarified with the manufacturer prior to the door being installed.

- Check the ground beneath where the door is to be installed.

5.3 / 2



6. Installation



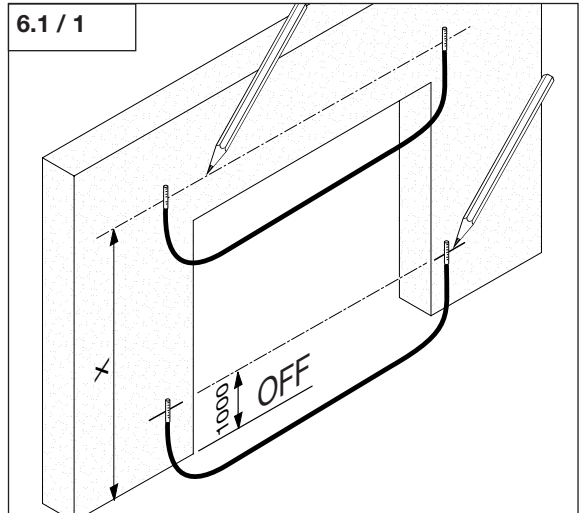
6.1 Preparing for installation

Reference:

See the door-specific diagram for the measurement (X) of the centre winding shaft.

- Mark the one metre level.
- Mark the one metre level on the other side as well.
- Mark the centre of the winding shaft (X).

6.1 / 1



GB

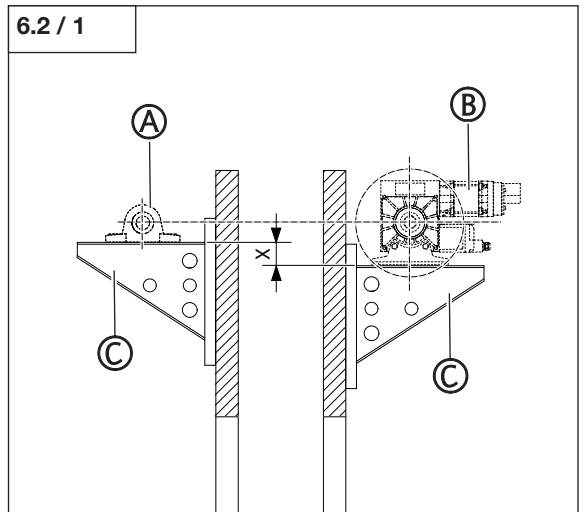
6.2 Installing the consoles



Note:

Due to the different installation heights of the bearing (A) and the drive (B), the offset (X) must be taken into account when the consoles (C) are being installed.

6.2 / 1

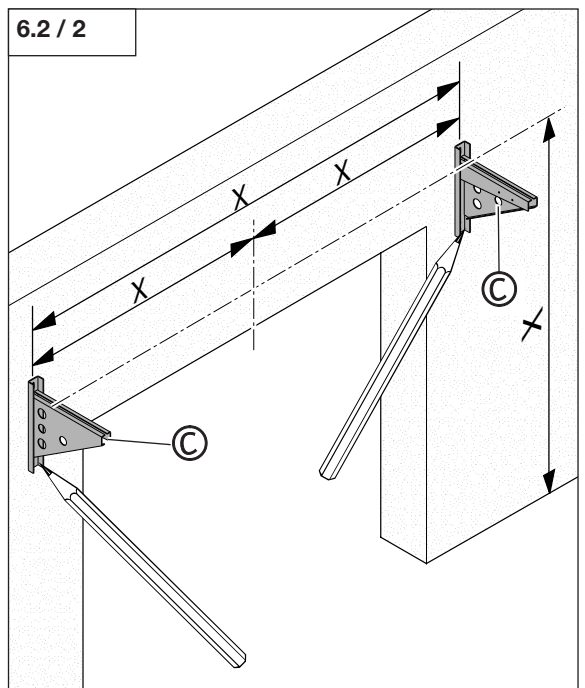


Reference:

See the door-specific diagram for information on the dimensions (X) for the positions of the consoles (C).

- Mark the installation position of the consoles (C).

6.2 / 2

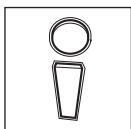


6. Installation



Note:

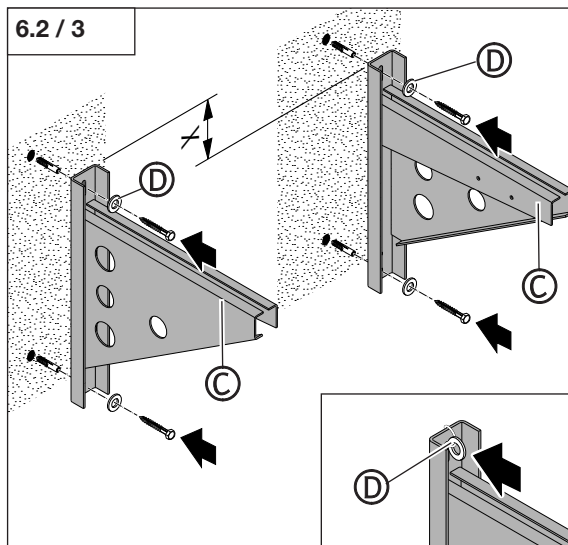
The washers (D) that are attached to the consoles (C) must be positioned at the top hole in the consoles (C).



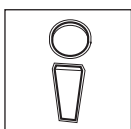
Reference:

The fastening material and starting torque are dependent on the building foundation; see the door-specific diagram for more information.

- Screw the consoles (C) to the wall masonry.



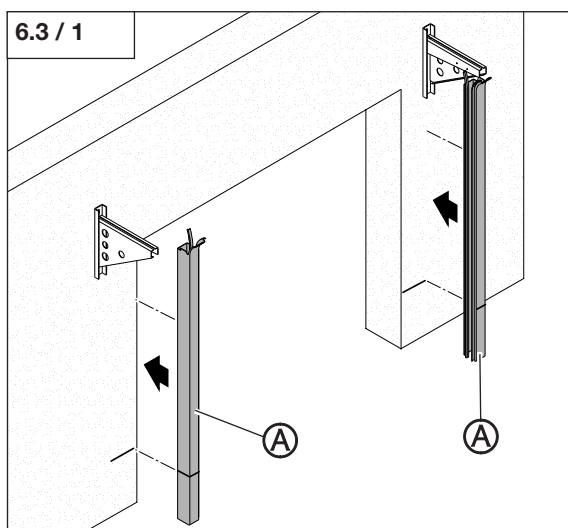
6.3 Installing the guide rails



Reference:

Depending on the local conditions, the guide rails may need to be underlaid. See the door-specific diagram to find out whether this is necessary or not.

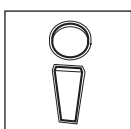
- Place the guide rails (A) before the reveal.



Note:

The following points must be applicable for the guide rails to be positioned correctly:

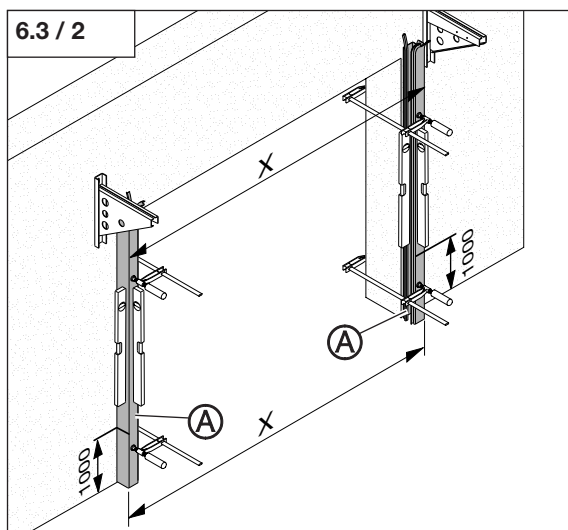
- The one metre level marks are lined up
- The guide rails (A) are vertical
- The distance to the guide rails (X) at the top and bottom is the same



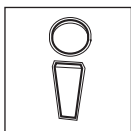
Reference:

See the door-specific diagram to find out what measurement X is.
X = the distance measured between the guide rails.

- Align the guide rails (A).
- Secure the position with fastening clamps.



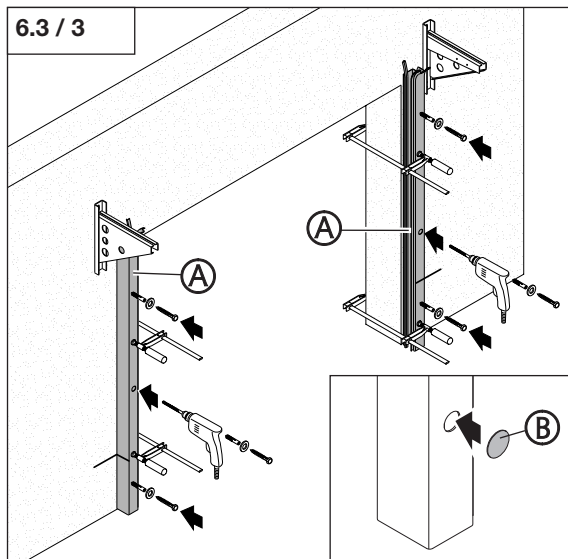
6. Installation



Reference:

The fastening materials and starting torques are dependent on the building surface; see the door-specific diagram for further information on this.

- Screw the guide rail (A) into the wall in all the positions.
- Place the sealing plugs (B) onto the holes in the guide rails (A).
- Remove the fastening clamps.



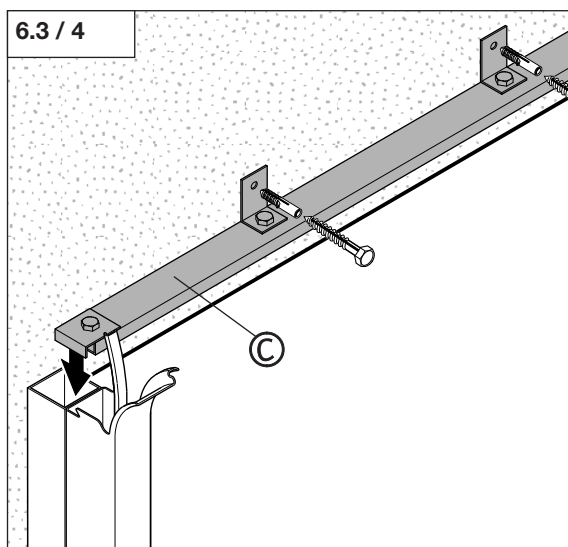
GB



Note for roller shutters:

For underlaid guide rails, a carrier profile (C) must be installed for the brush strip in front of the reveal.

- Screw in the carrier profile (C) for the brush strip in front of the reveal.



6. Installation

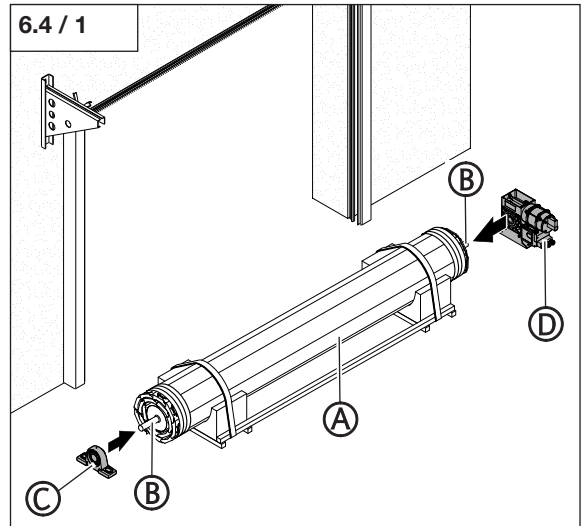
6.4 Installing the door curtain



Note:

The door curtain (A) must be placed to the door opening in the direction of operation.
The end of the winding shaft (B) must be greased before the bearing (C) and drive (D) are attached.

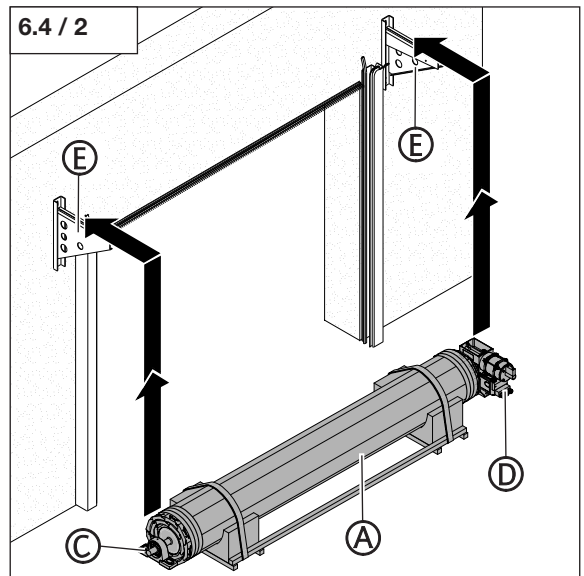
- Place the door curtain (A) in front of the opening.
- Grease the ends of the winding shaft (B).
- Place the bearing (C) and the drive (D) onto the winding shaft (B).



Caution!

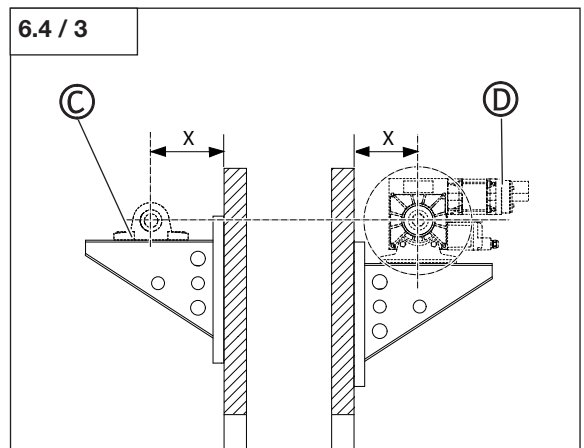
To prevent personal injuries occurring, nobody may stand under the door curtain (A) until the bearing (C) and drive (D) have been screwed on. The door curtain (A), the bearing (C) and the drive (D) must be effectively prevented from falling down.

- Place the door curtain (A) with the bearing (C) and the drive (D) onto the consoles (E).



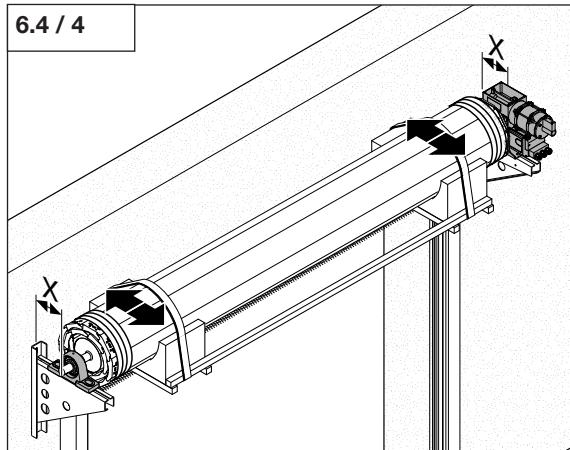
Reference:

See the door specific diagram for more information on the wall distance X to pre-set the bearing (C) and drive (D).



6. Installation

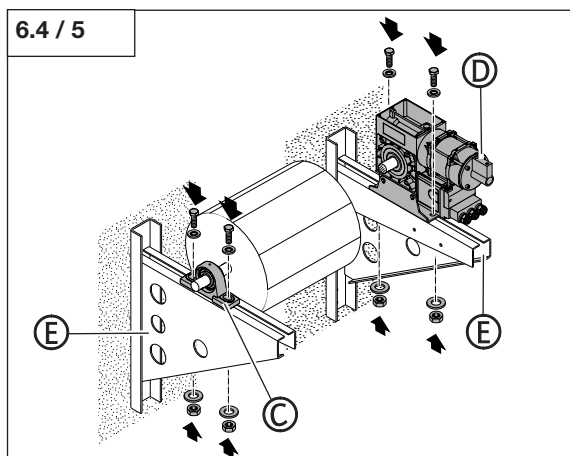
- Set up the distance to the wall (X) on both sides.



Reference:

See the door-specific diagram for further information on the fastening materials and the starting torque.

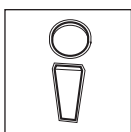
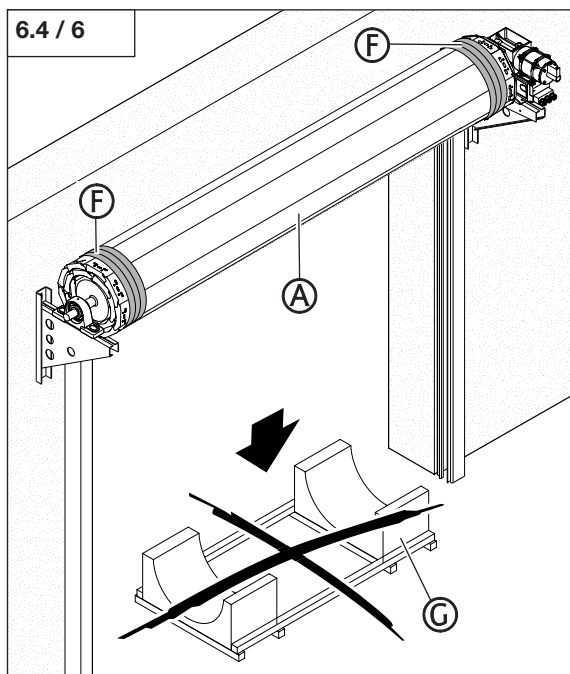
- Screw the bearing (C) and the drive (D) firmly to the consoles (E).



Caution!

To prevent personal injuries, the stopper (F) must remain on the door curtain; this prevents the door curtain (A) from falling down inadvertently.

- Remove the transport material (G).



6. Installation

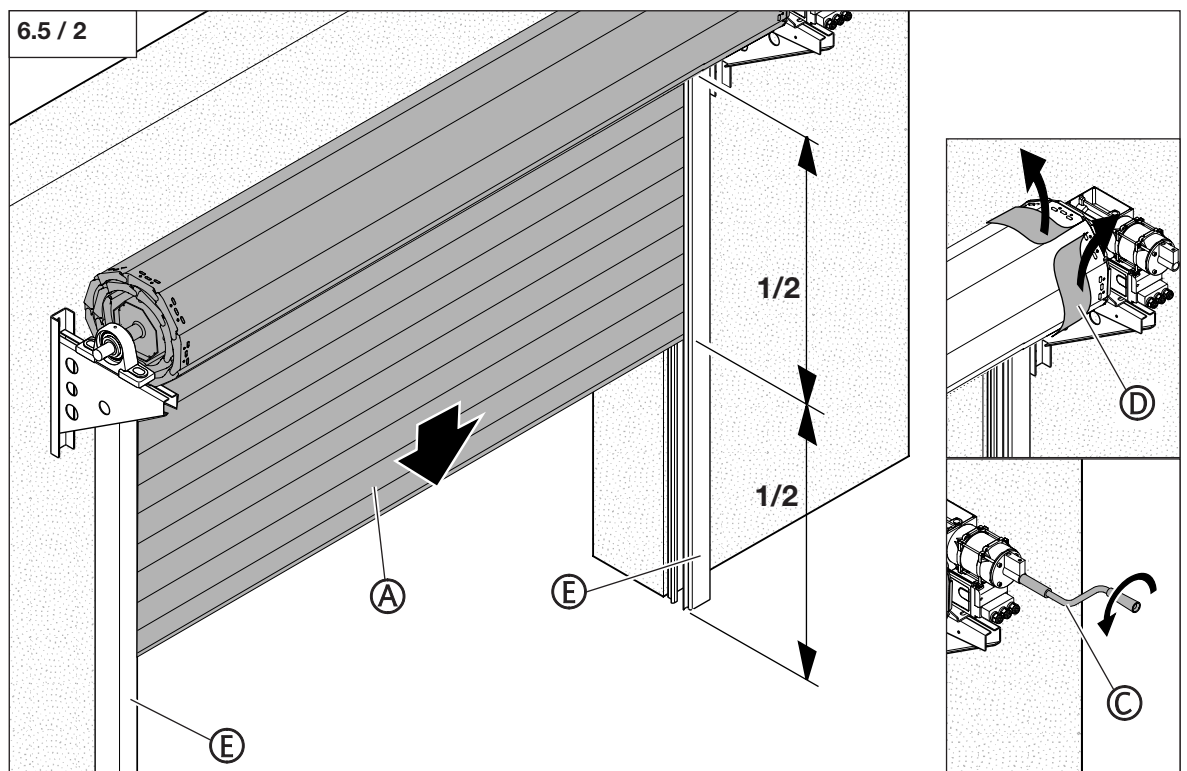
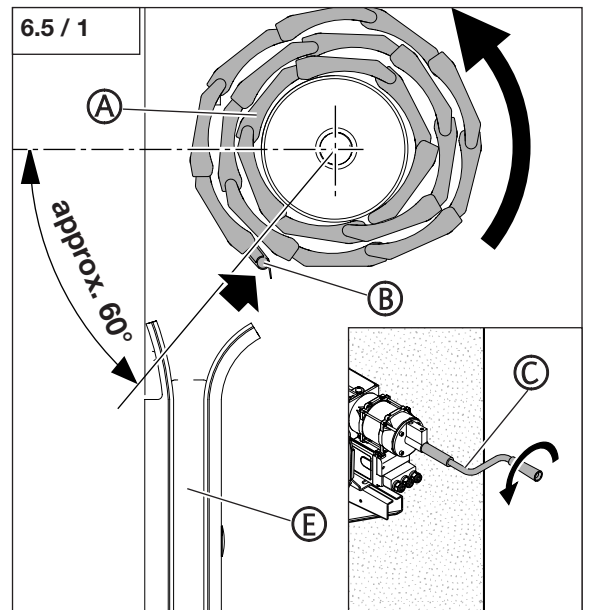
6.5 Inserting the door curtain



Caution!

To prevent the door curtain (A) from becoming difficult to handle, the door end profile (B) must be moved into the position shown before the stopper is opened.

- Bring the door curtain (A) with the emergency control (C) into the position shown.



- Remove the stopper from the door curtain (A).
- Insert the door curtain (A) with the emergency operation (C) into the guide rails (E).
- Move the door curtain (A) into the interim position (halfway up the guide rail height).

6. Installation



Function check:

The door curtain (A) must slot into both guide rails (E) vertically when the door is halfway open. Shift the bearing (G) and the drive (H) onto the console (I); this will allow you to set up the inlet.

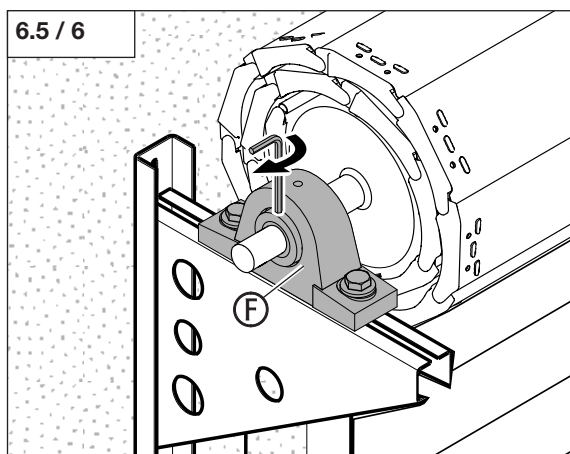
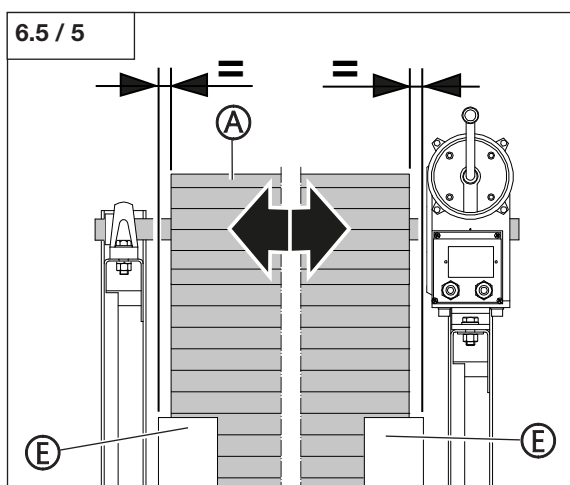
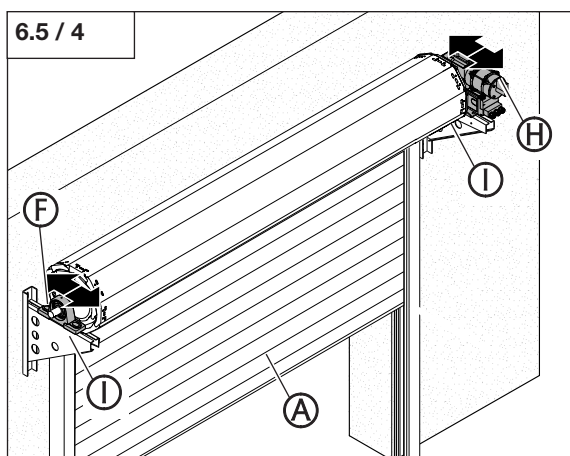
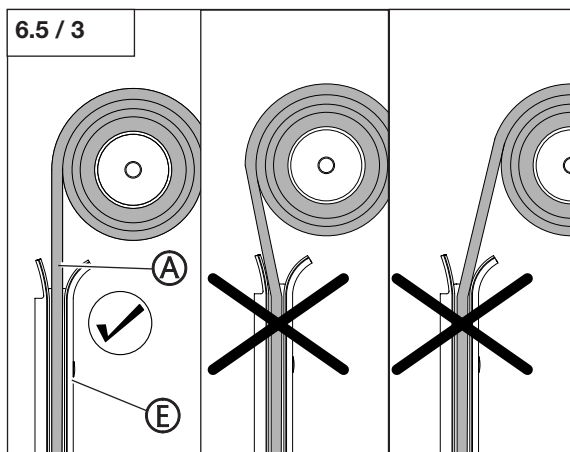
Note:

The door curtain (A) must not grind against the intake guide of the guide rails (E). You can bend the intake guides to prevent them from grinding against the door curtain.

- Check the inlet and set up (if necessary) the bearing (F) and the drive (H) on the consoles (I) in the correct manner.

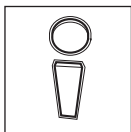
- Position the door curtain (A) between the guide rails (E).

- Tighten the screws on the bearing (F).



6. Installation

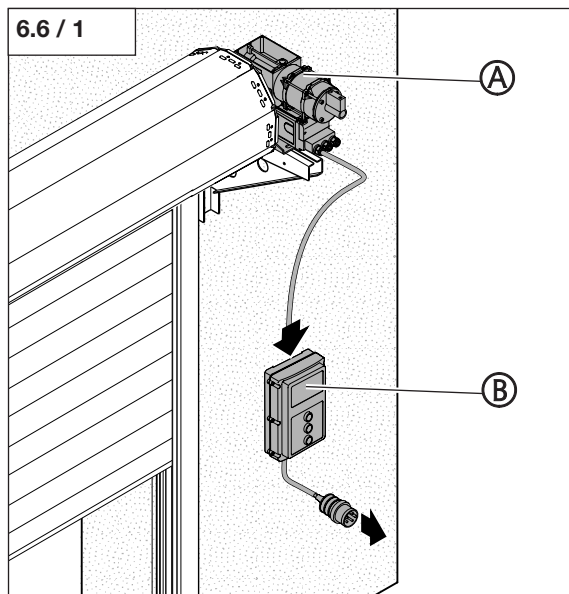
6.6 Connecting the drive



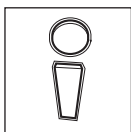
Reference:

See the drive and control unit instructions for information on how to connect the drive (A) and the control unit (B).

- Connect the drive (A) to the command device/control unit (B).
- Connect all the necessary safety devices.
- Connect the control unit (B) to the mains.



6.7 Setting up the end switch



Reference:

See the drive and control unit instructions for information on how to set up the end switch.

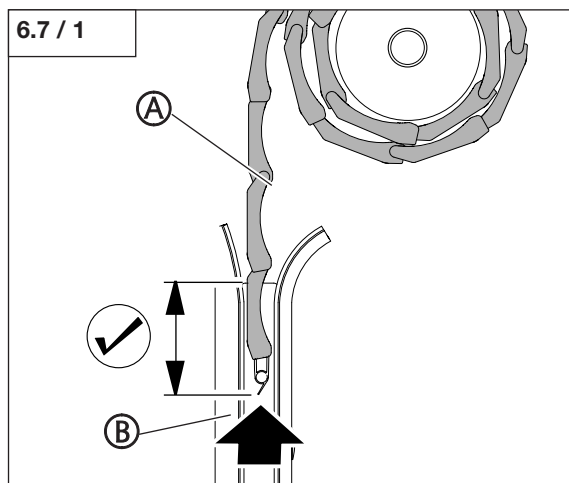


Note:

The end position OPEN must be set up in such a manner that the door fins (A) do not move out of the guide rails (B).

The maximum possible position of the end position OPEN is the ordering dimension for height.

- Set up the OPEN end position.

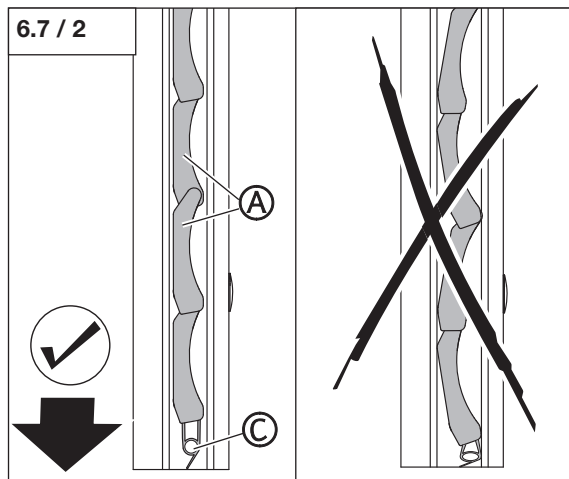


Note:

The end position CLOSED must be set up in such a manner that

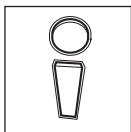
- the door fins (A) do not slide together and
- the door end profile (C) is not compressed.

- Adjust the retractable bottom seal.



6. Installation

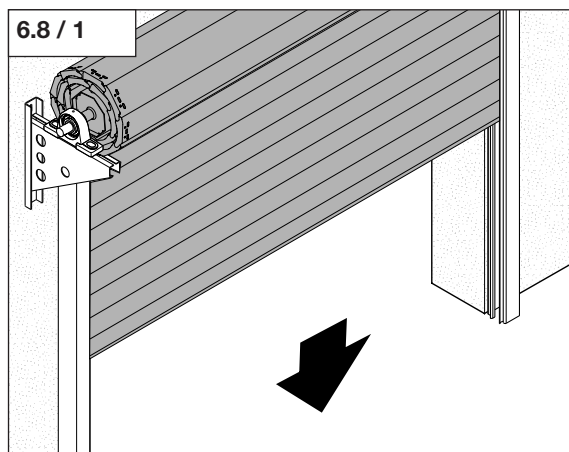
6.8 Installing the brush strip (only for roller shutters)



Reference:

See the door-specific diagram for information on how to install the brush strip (A).

- Close the door.

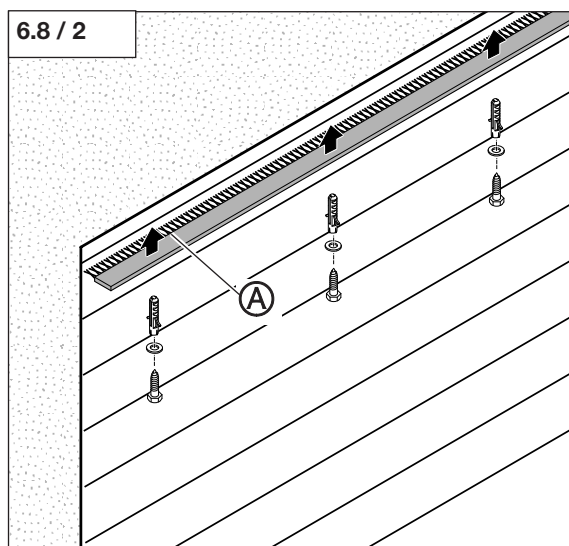


Note:

The brush strip (A) must be screwed in in such a manner that its entire width is contact with the door curtain.

Depending on the model, the brush strip needs to be screwed on either under the reveal or onto the carrier profile.

- Install the brush strip (A).



6. Installation



6.9 Checking the door system

Note:

The following points must be checked before the door is handed over to the operator.

- End position OPEN.
- End position CLOSED.
- The door curtain slides cleanly into the guide rails.
- All the safety devices connected to the door.

After successful testing, the operator must be trained to operate the door system safely.

7. Operation



Caution!

In order to avoid personal injury due to uncontrolled door movements:

- Only open or close the door when the door opening is clear of obstruction.
- Do not operate the door under heavy winds in order to ensure that control over the door is maintained.

7.1 Manually operated doors

Note:

- Only operate the door with the controls provided for this purpose.
- Move the door at a constant speed until the limit positions are reached.
- When closing the door, ensure that the latch bolt engages.
The door is automatically locked in the CLOSED limit position.

Operation from outside - opening the door

- Unlock the door with the key.
- Turn the handle clockwise, then lift the door a few centimetres.
The door is unlocked.
- Slide the door to the OPEN limit position. The handle does not have to be turned in the process.

Operation from outside - closing the door

- Move the door to the CLOSED limit position.
The lock engages automatically when the door is closed.

Operation from inside - opening the door

- Unlock the handle with the securing lever on the lock.
- Turn the handle clockwise, then lift the door a few centimetres.
The door is unlocked.
- Slide the door to the OPEN limit position. The handle does not have to be turned in the process.

Operation from inside - closing the door

- Move the door to the CLOSED limit position.
The lock engages automatically when the door is closed.

7.2 Power-operated doors

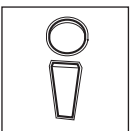
Caution!

In order to avoid personal injury due to uncontrolled door movements:

- Ensure that the control unit and handheld transmitter are not used by children or unauthorised persons.
- Ensure that the handheld transmitter is not inadvertently actuated (e.g. in the pocket of your trousers).

Reference:

Refer to the documentation for the drive system for information about the operation of the door drive.



8. Maintenance



Caution!

The following points must be adhered to to prevent personal injuries or damage to the door from occurring.

- Maintenance must be performed on the door and drive system at least once every 12 months.
Maintenance will need to be performed more frequently if the door is subjected to a high level of use.
- All faulty components must be replaced by original components.
- Maintenance must be performed by trained personnel.
- These instructions must be observed when carrying out maintenance work.
- It is critical that the warning and safety instructions be observed.
- The door maintenance is to be documented.
- See the testing book for information on the maintenance work that is to be carried out.

