



Installation Data

for industrial sectional doors
Valid from 1 April 2010



1. Contents

1.	Contents	2
2.	General information	3
3.	Technical terms and list of abbreviations	3
4.	Available door combinations	4
5.	Types of windows and sections	12
6.	Required space type “N” - normal fitting	14
7.	Required space type “ND” - normal fitting which follows the shape of the roof	15
8.	Required space type “HL” - high lift runner rail fitting	16
9.	Required space type “HLU” - high lift runner rail fitting with lower torsion spring shaft	17
10.	Required space type “HLD” - high lift runner rail fitting which follows the shape of the roof	18
11.	Required space type “HLDU” - high lift runner rail fitting which follows the shape of the roof with lower torsion spring shaft	19
12.	Required space type “VL” - vertical fitting with upper torsion spring shaft	20
13.	Required space type “VLU” - vertical fitting with lower torsion spring shaft	21
14.	Required space type “NSH” - low headroom fitting	22
15.	Required space type “NSD” - low headroom fitting which follows the shape of the roof	23
16.	Required space for type “N” (normal fitting) without springs	24
17.	Required space for type “ND” (normal fitting with roof incline) without springs	25
18.	Required space for type “HL” (high lift runner rail fitting) without springs	26
19.	Required space for type “HLU” (high lift runner rail fitting) without springs	27
20.	Required space for type “HLD” (high lift runner rail fitting with roof incline) without springs	28
21.	Required space for type “HLDU” (high lift runner rail fitting with roof incline) without springs	29
22.	Required space for type “VL” (vertical fitting) without springs	30
23.	Required space for type “VLU” (vertical fitting) without springs	31
24.	Component assignment for system without springs	32
25.	Side door N 53	33
26.	SW sectional door	34
27.	SW 80 sectional door	37
28.	SLW sectional door	39
29.	SL sectional door	42

2. General information

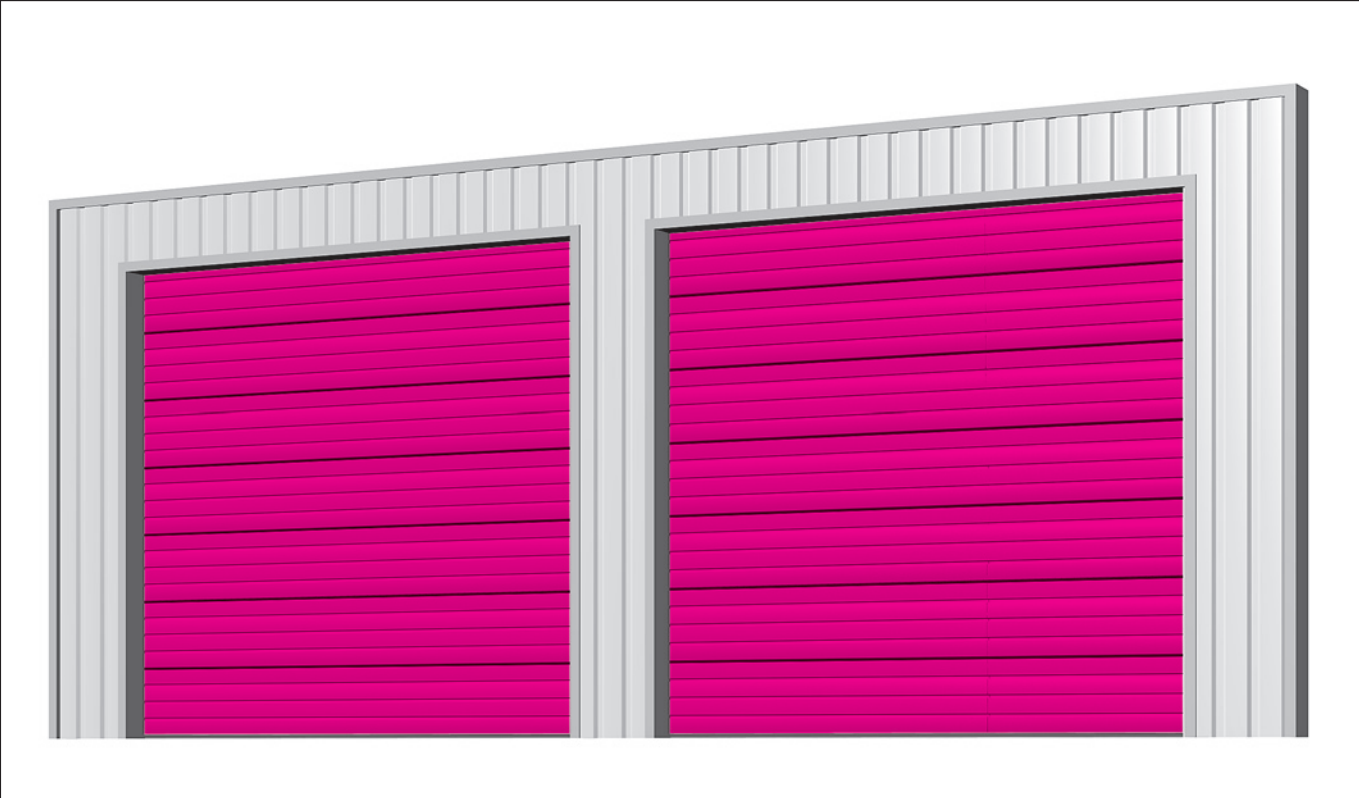


- The installation example shows a right-hand drive version, left-hand version available on request.
- For minimum headroom heights, please refer to the tables on page 14 ff.
- Measurement data for special designs or special wall connections, i.e. when there is insufficient space, on request.
- Subject to technical changes.

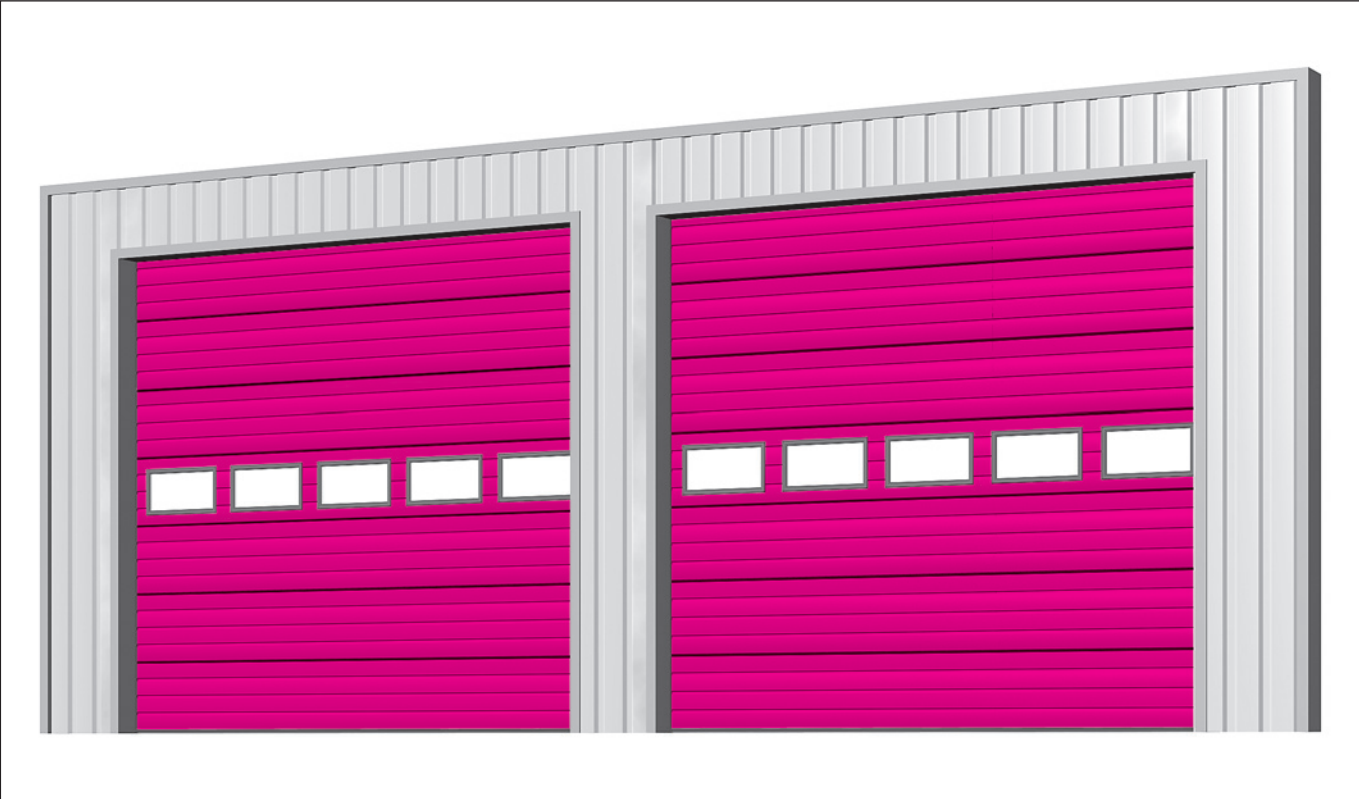
3. Technical terms and list of abbreviations

A:	Adapted to door height	FA:	Distance between windows
AS:	Sideroom on drive side	LDB:	Clearance width
AZ:	Sideroom frame	LDH:	Clearance height
BB:	Order dimensions width	LS:	Sideroom on bearing side
BH:	Order dimensions height	MF:	Middle of spring shaft
DA:	Ceiling distance	OFF:	Upper edge finished floor
DAS:	Required headroom	RAM:	Overall frame size
DH:	Handle height	S:	Headroom
ET:	Installation depth	X:	Spring buffer projection
F:	Panel width		

4. Available door combinations

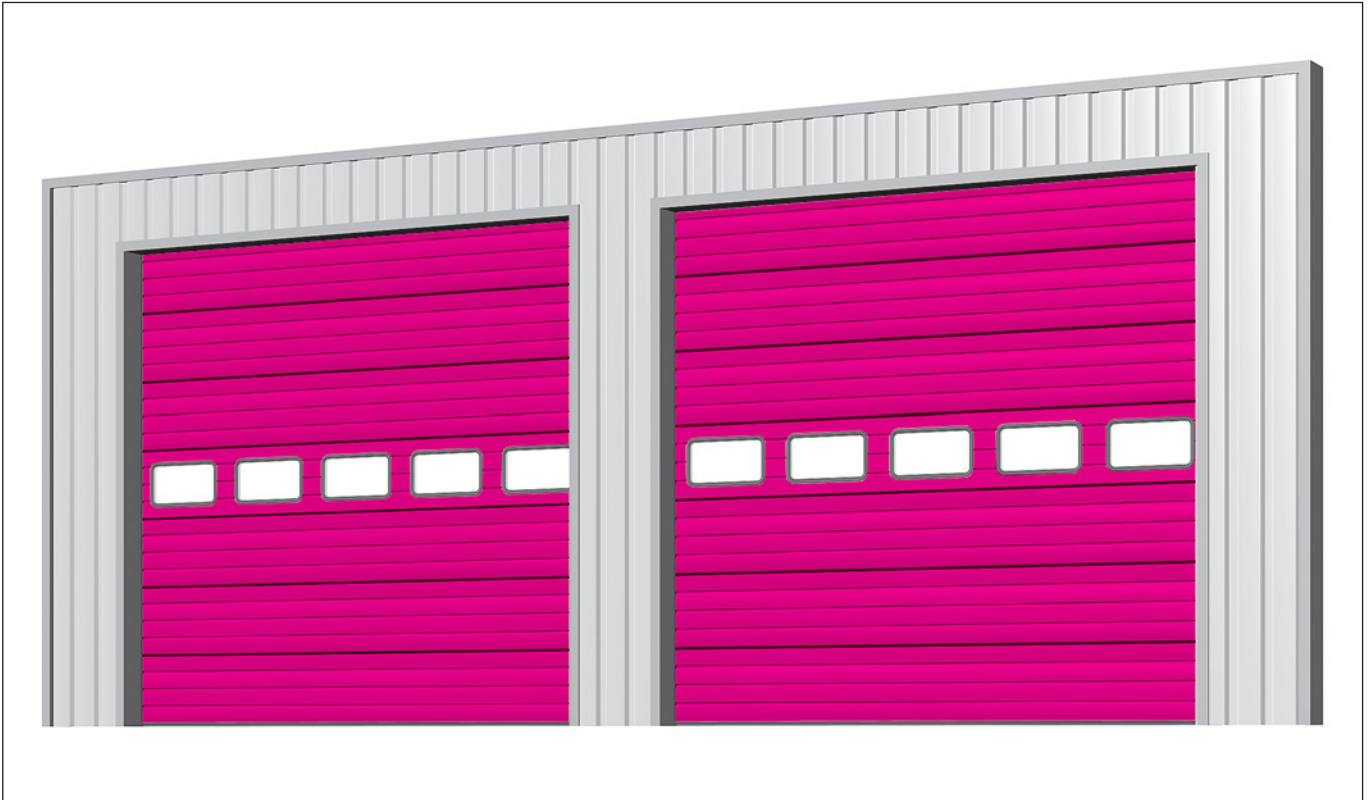


SW door, ribbed

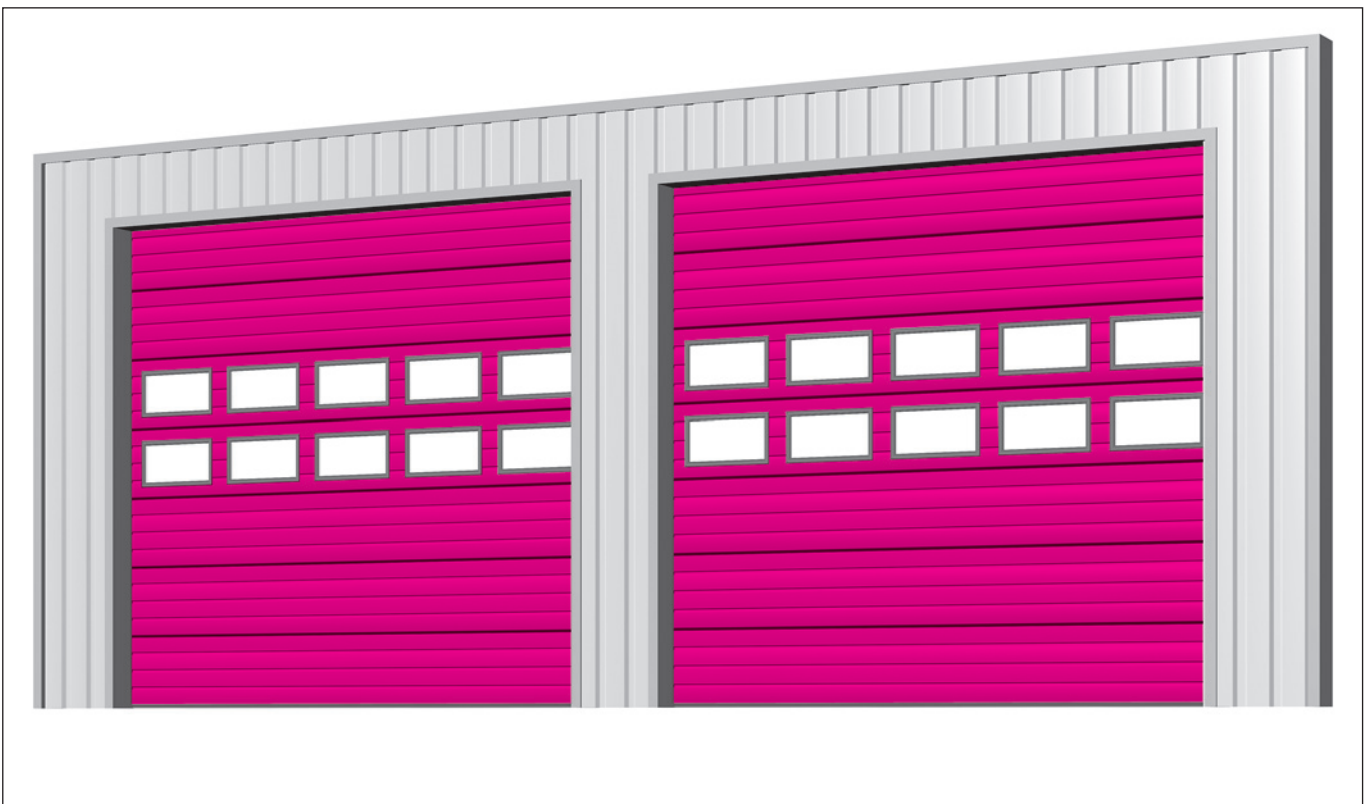


SW door, ribbed with type A window section (rectangular)

4. Available door combinations

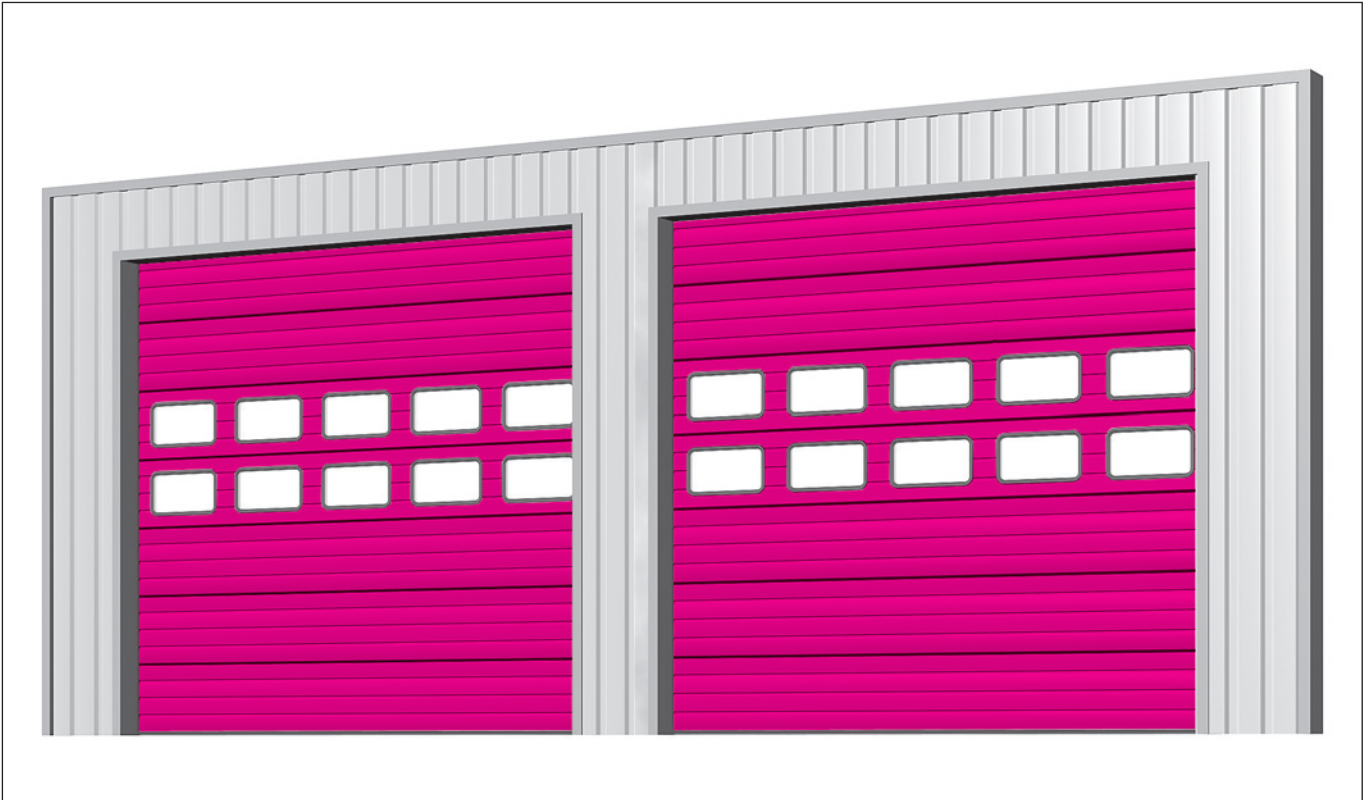


SW door, ribbed with type B window section (rounded – not SW 80)

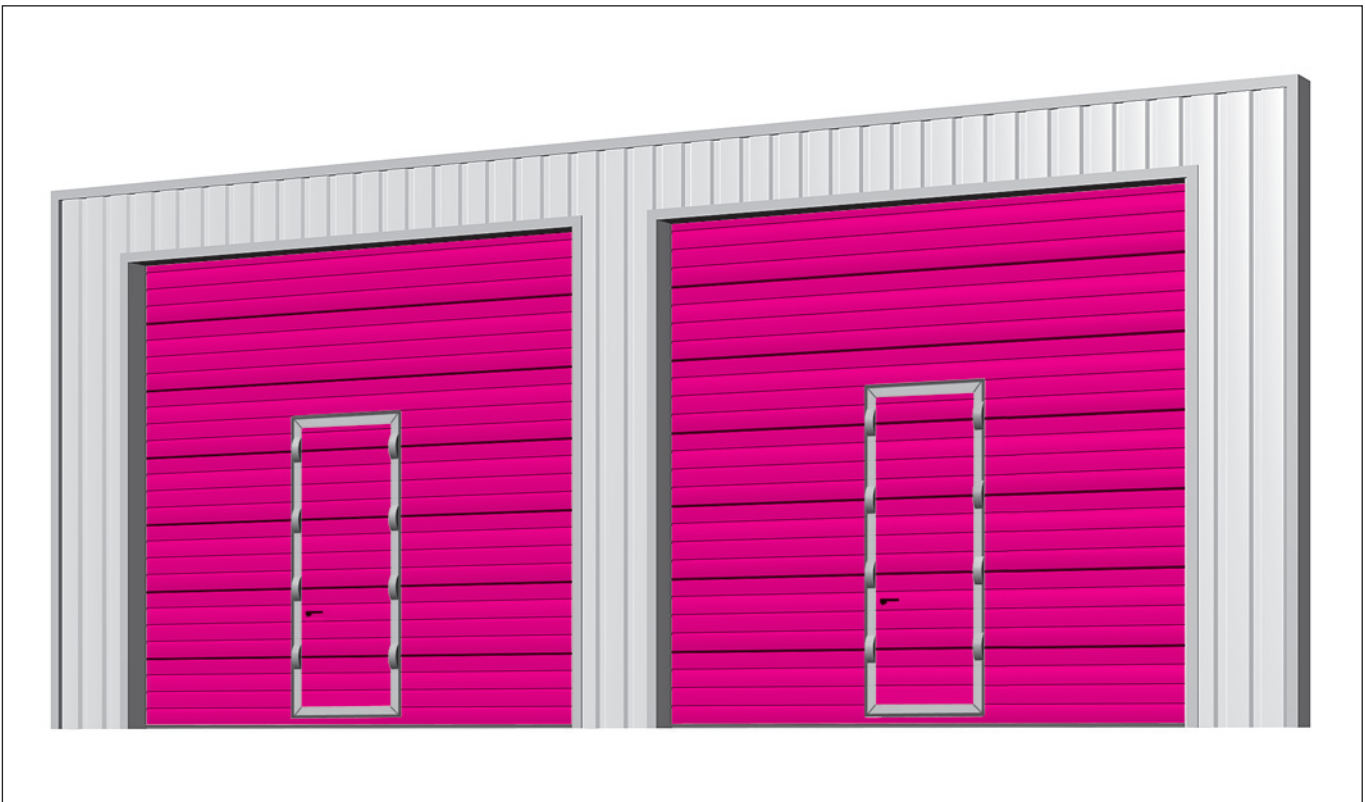


SW door, ribbed with two type A window sections (rectangular)

4. Available door combinations

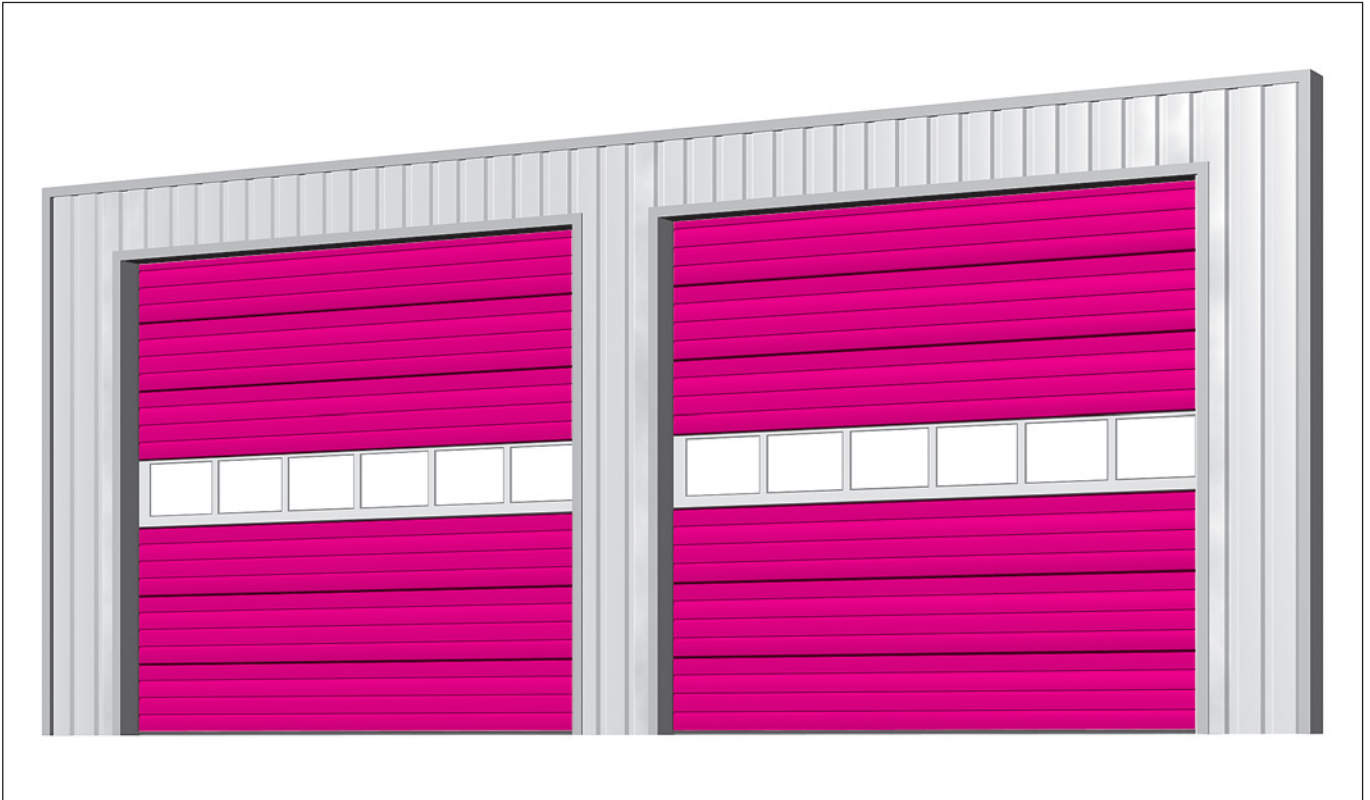


SW door, ribbed with two type B window sections (rounded – not SW 80)

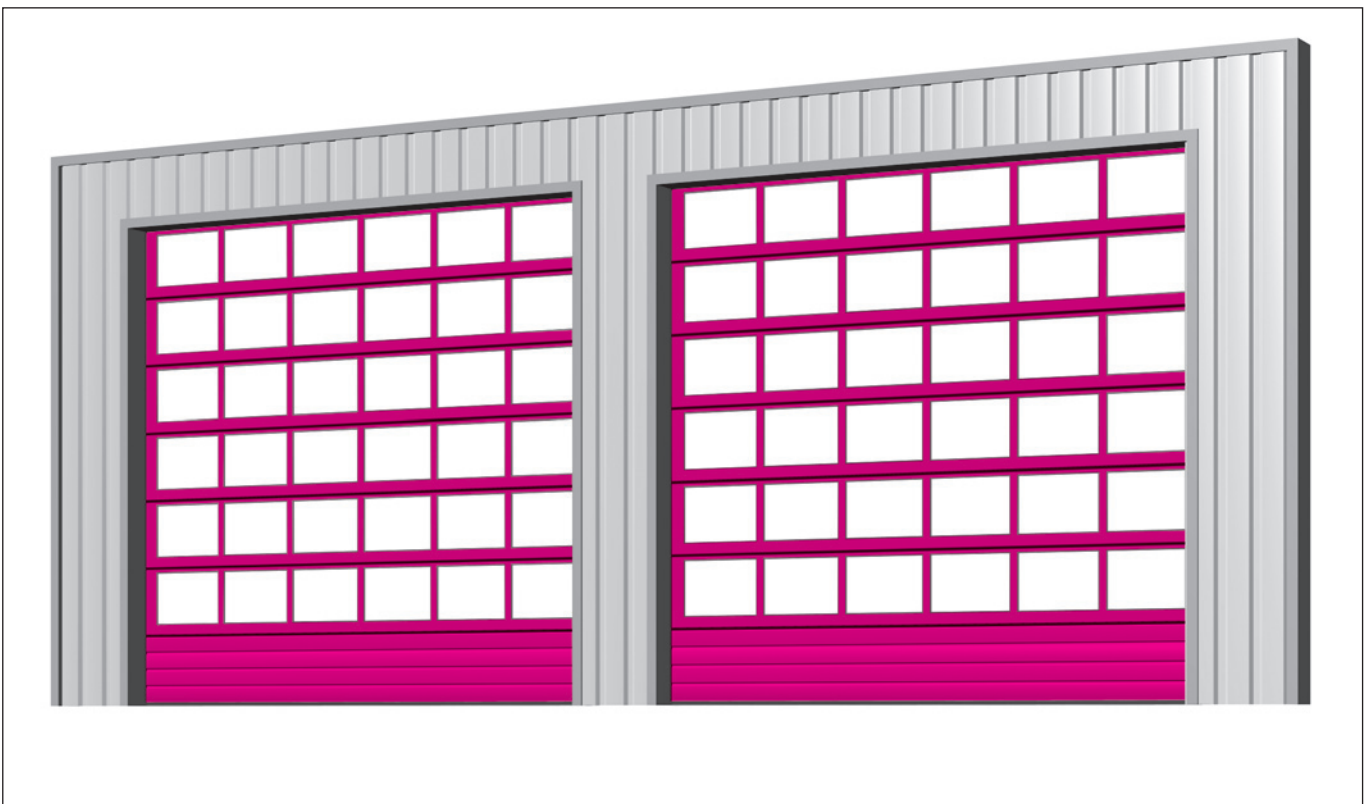


SW door, ribbed with integrated wicket door (not SW 80)

4. Available door combinations

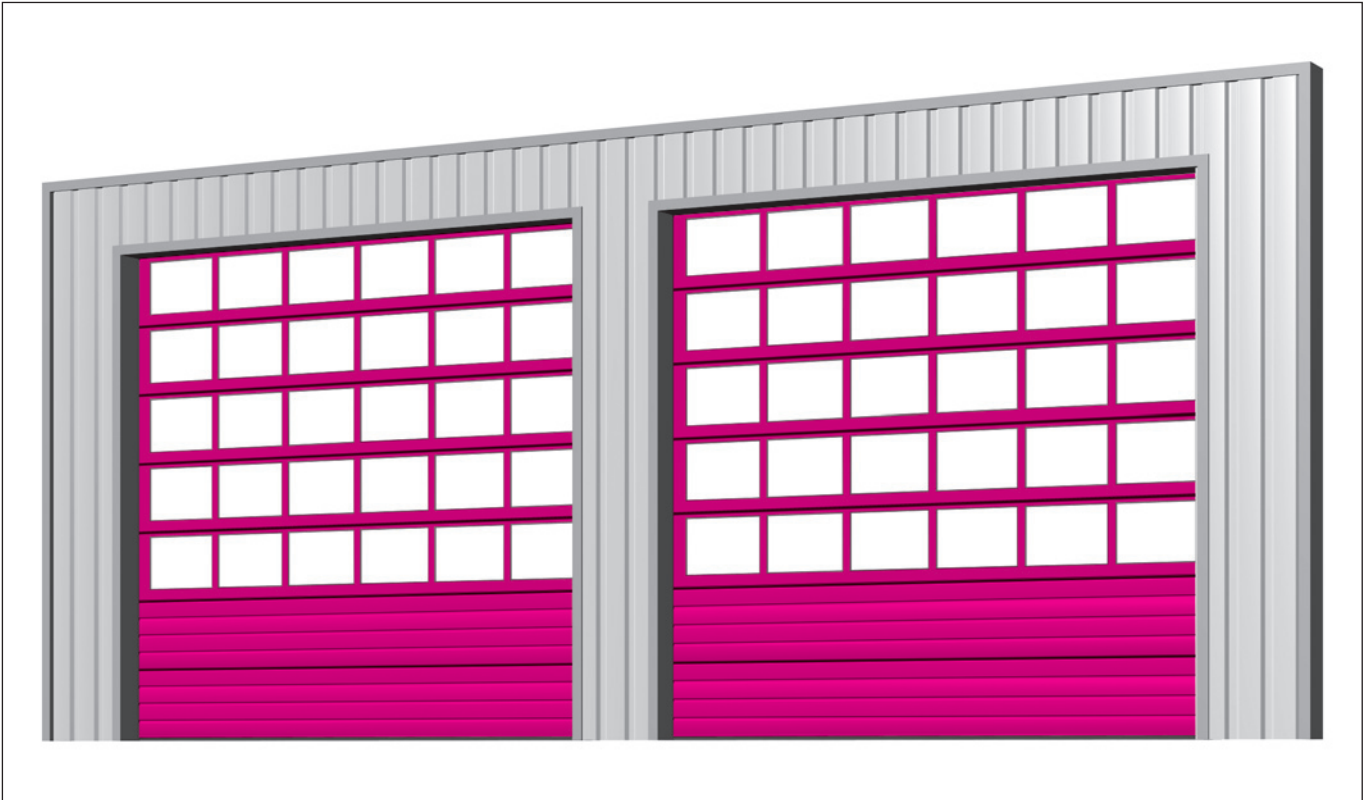


SW door, ribbed with one SL glazed section (not SW 80)

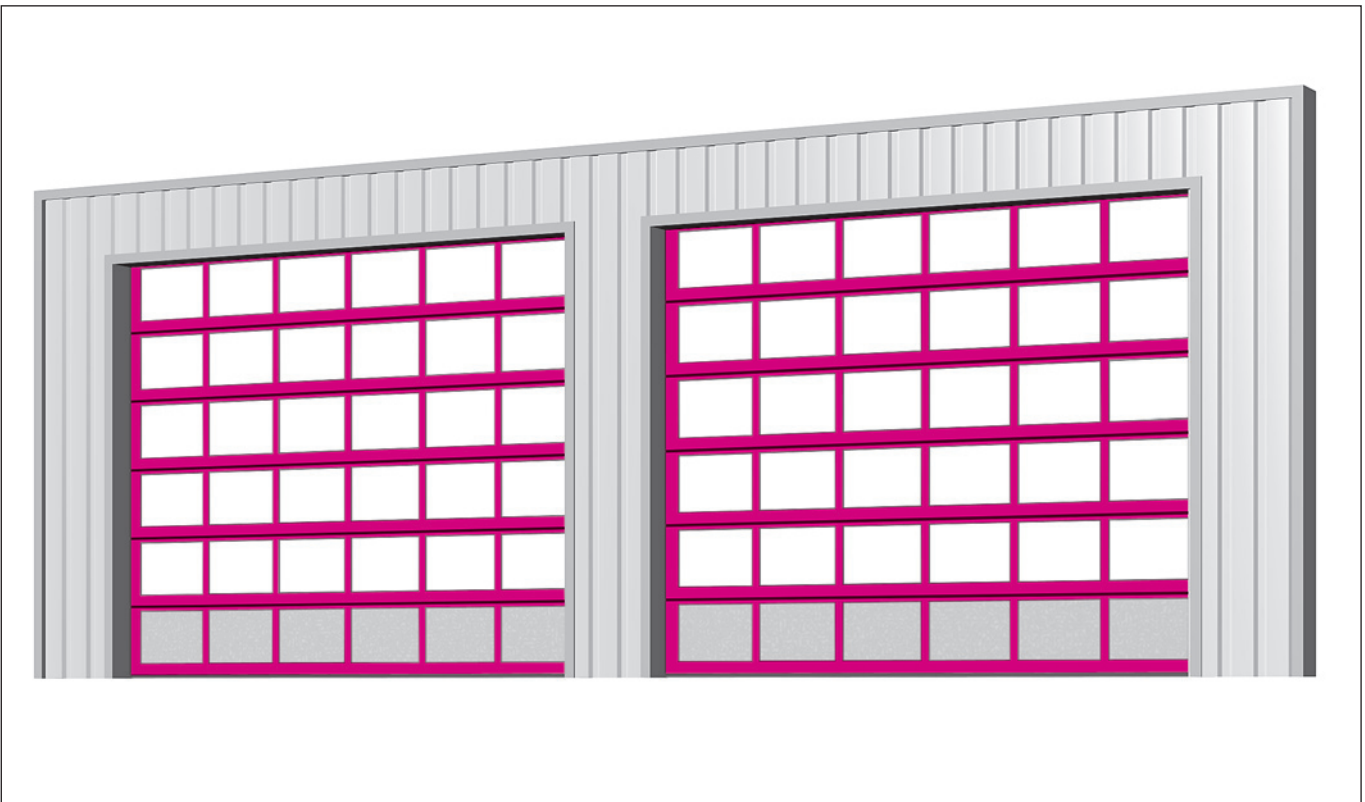


SLW door with glazing and 625 mm plinth (not SW 80)

4. Available door combinations

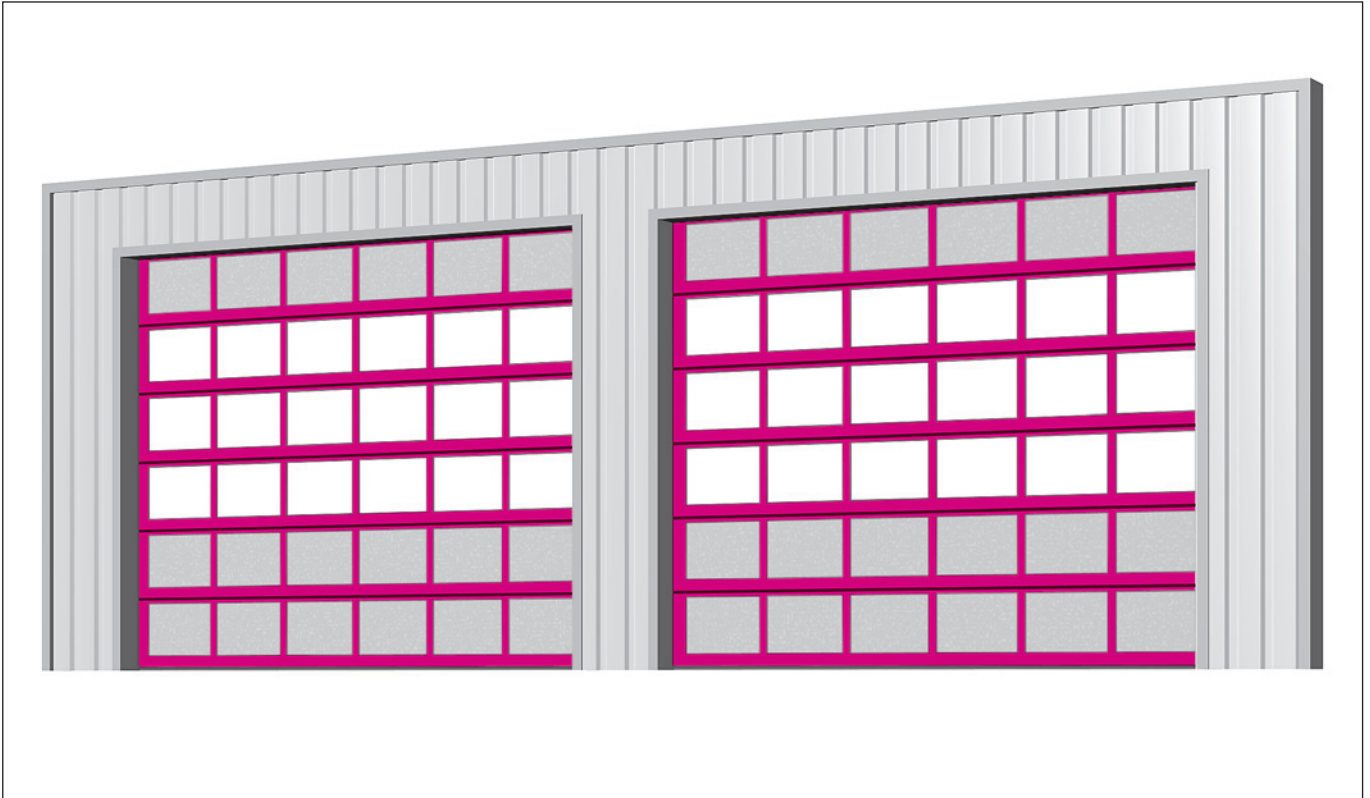


SLW door with glazing and 1250 mm plinth (not SW 80)

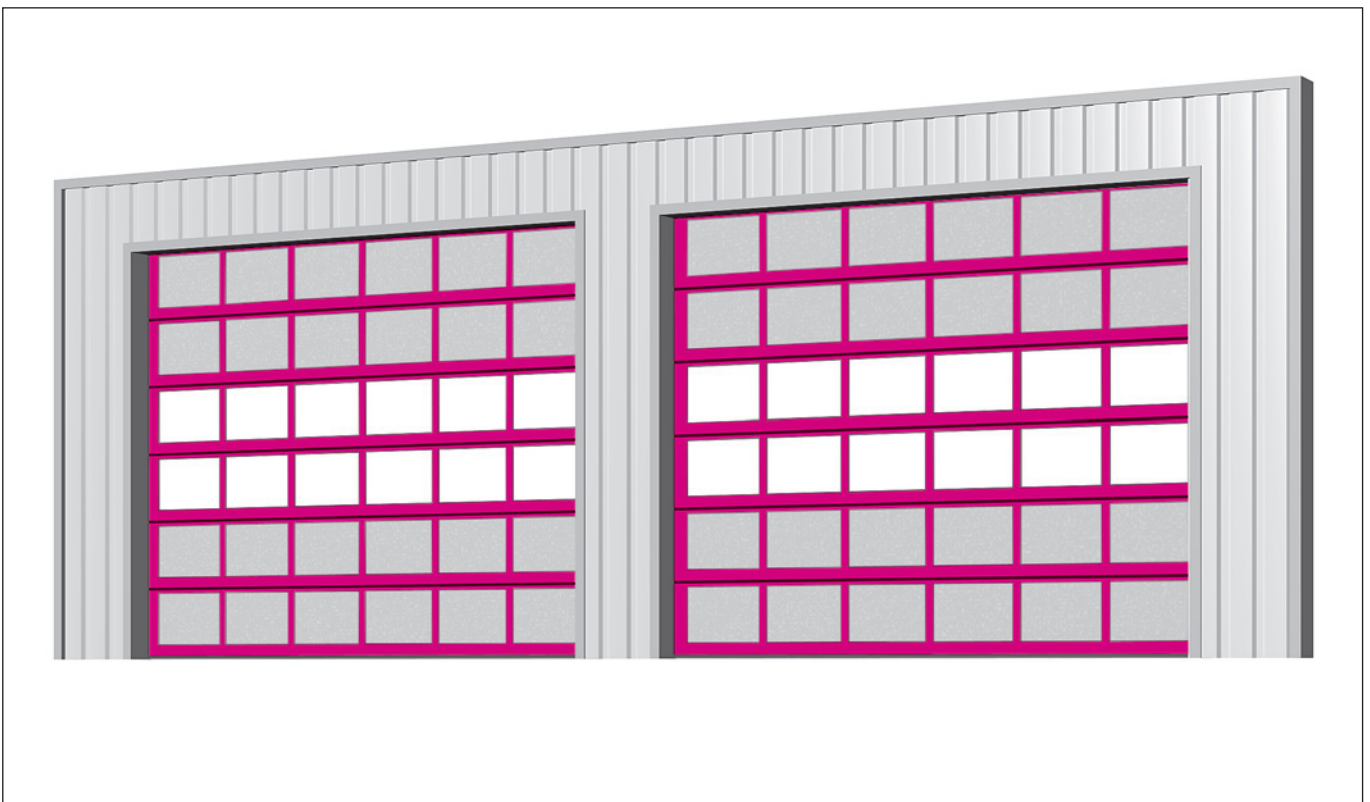


SL door with glazing (bottom section with sandwich board, 16 mm - stucco)

4. Available door combinations

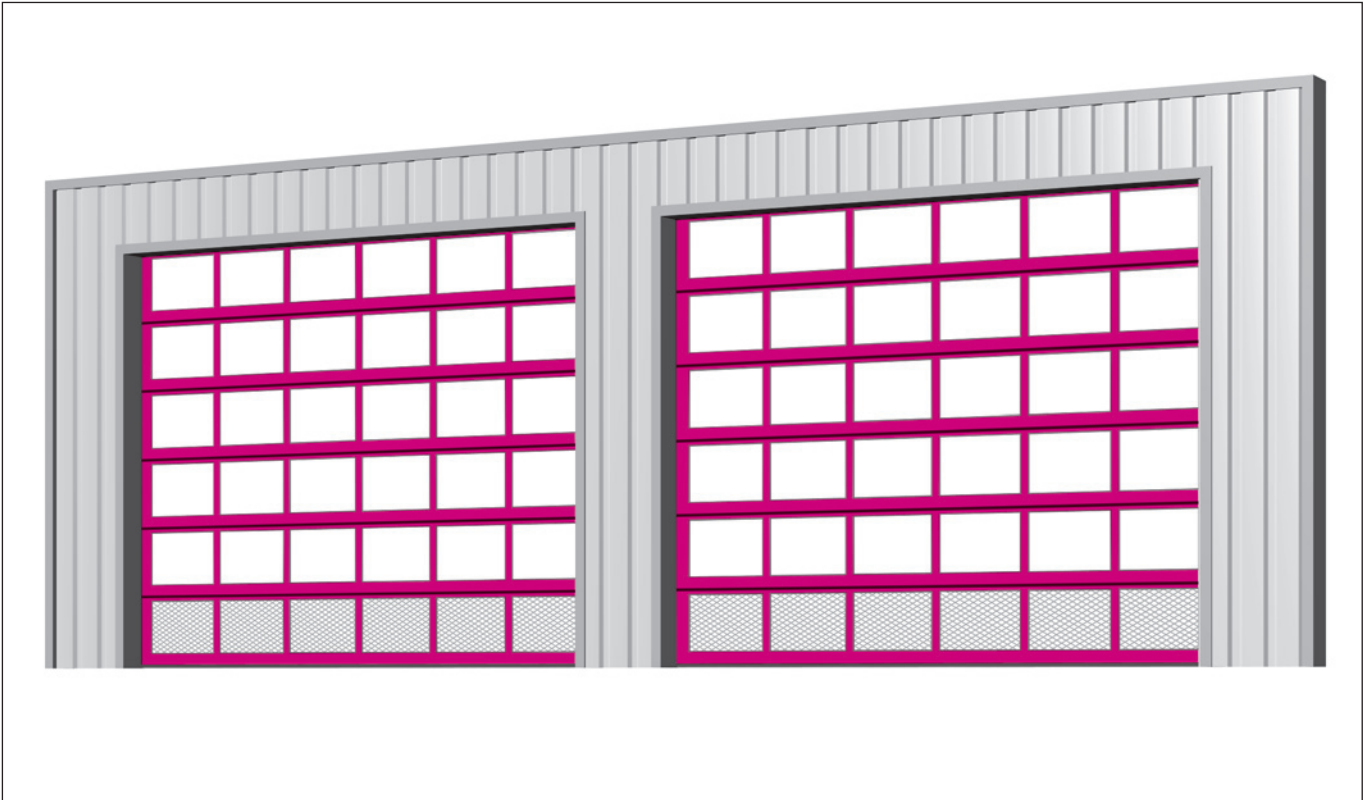


SL door with glazing (bottom two sections and top section with sandwich board, 16 mm - stucco)

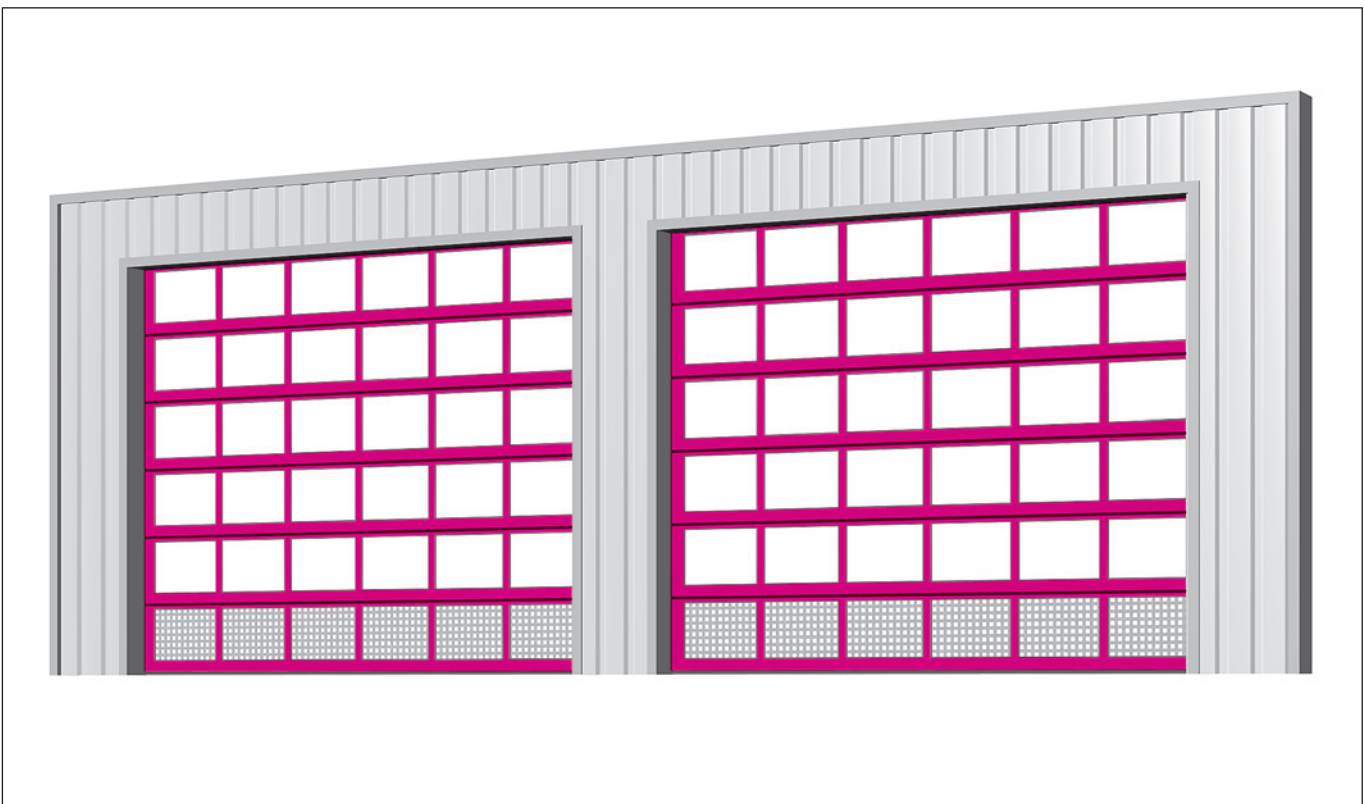


SL door with glazing (bottom two sections and top two sections with sandwich board, 16 mm - stucco)

4. Available door combinations



SL door with glazing (bottom section V2A rib mesh)

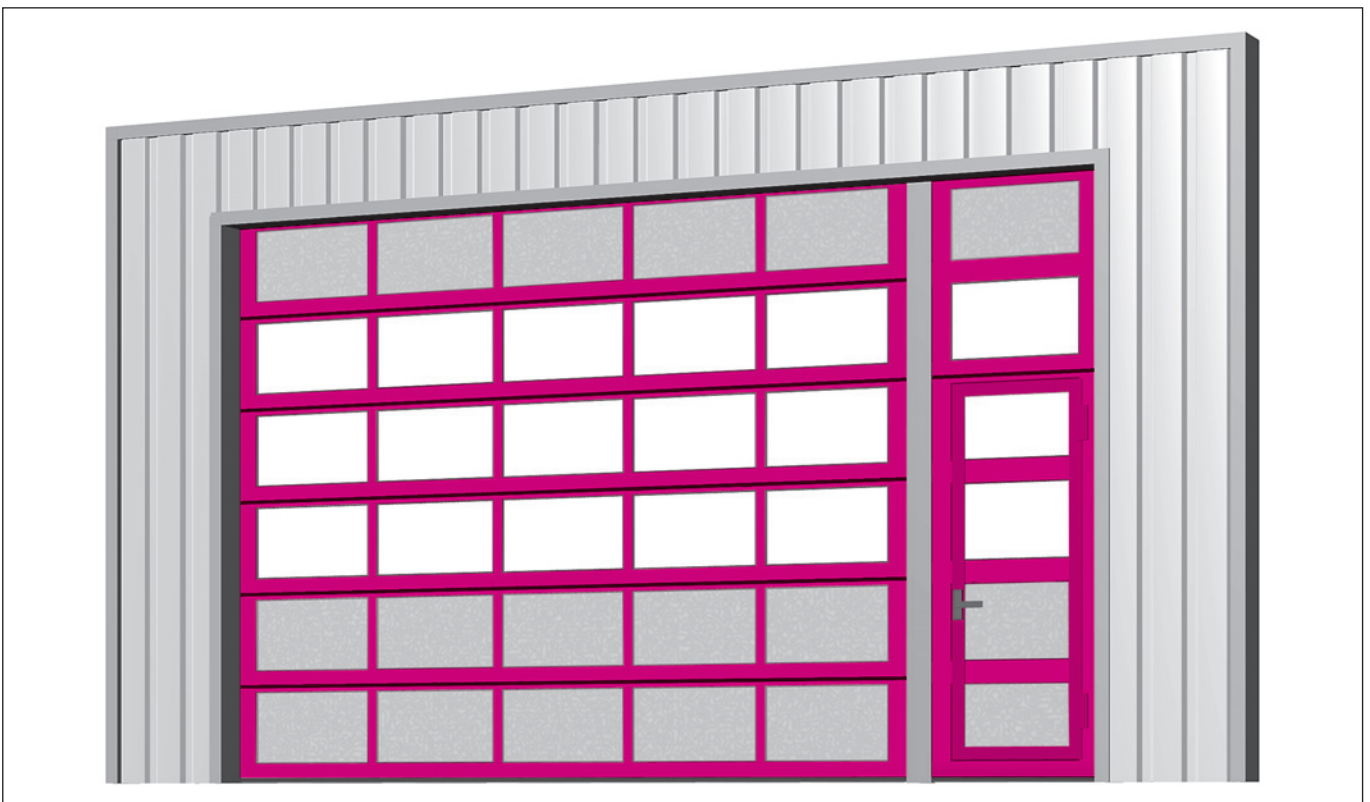


SL door with glazing (bottom section E6/EV1 perforated sheet steel)

4. Available door combinations



SL door with glass, sandwich board 16 mm and integrated wicket

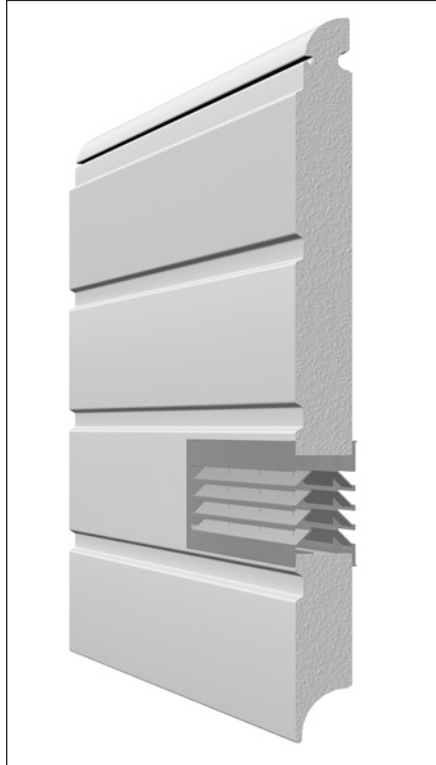


SL door with glazing, sandwich board 16 mm and side door N 53 with top cover

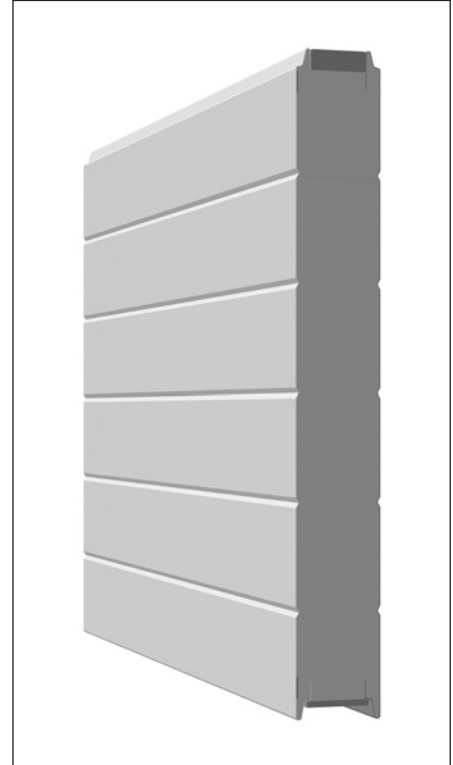
5. Types of windows and sections



Section, ribbed



Section, ribbed with ventilation grille
(429 x 71 mm,
ventilation cross-section 143 cm²)



Section SW 80, horizontal line pattern



Section, ribbed with type A window
(rectangular)

See page 34 for window dimensions.



Section, ribbed with type B window
(rounded)

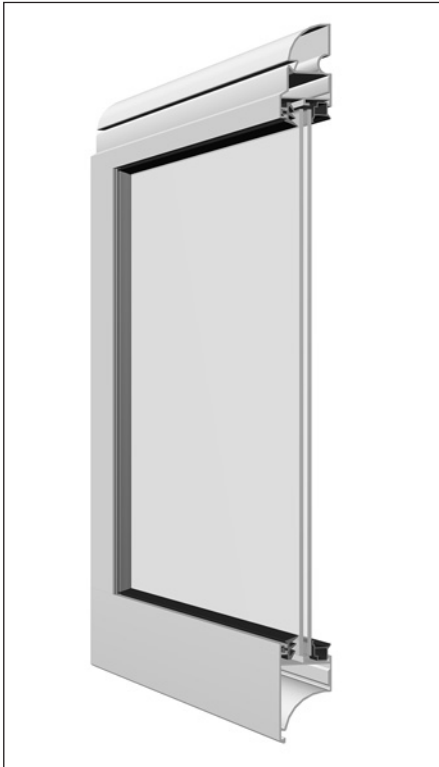
See page 34 for window dimensions.



Section SW 80, horizontal line pattern
with a window (rectangular)

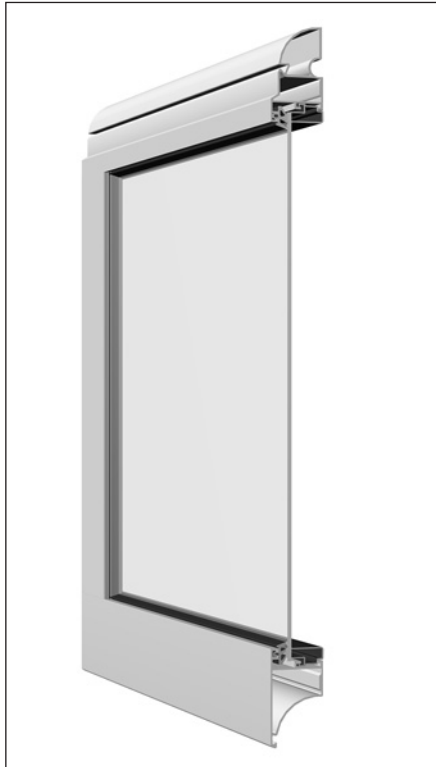
See page 37 for window dimensions.

5. Types of windows and sections



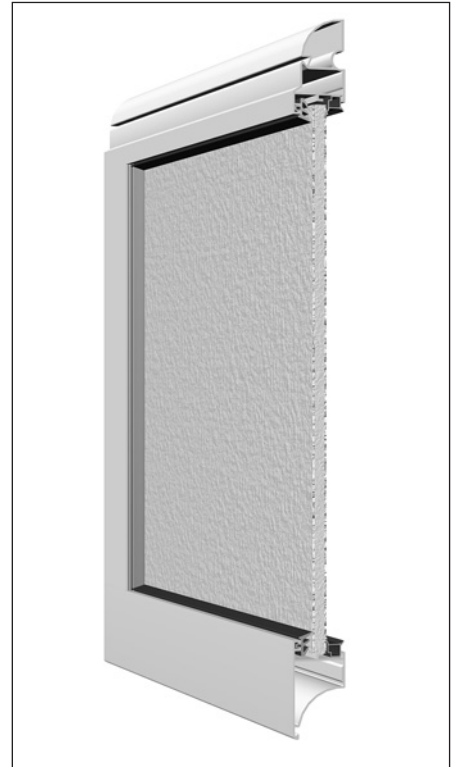
SL section with SAN double glazing (16 mm)

See page 42 for window dimensions.

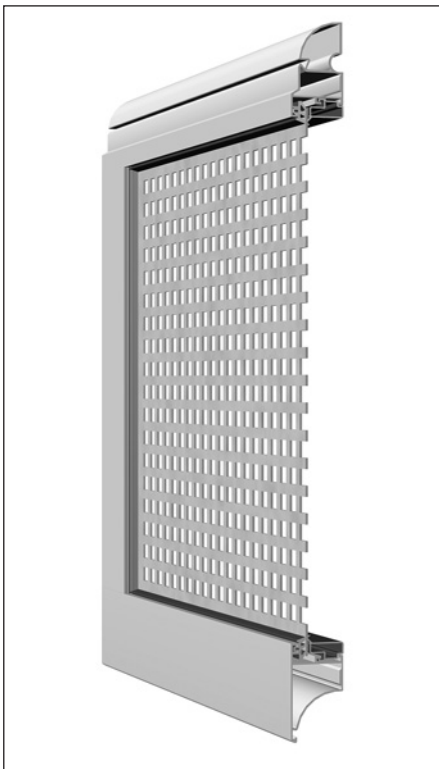


SL section with SAN single glazing (3 mm)

See page 42 for window dimensions.



SL section with aluminium sandwich board (16 mm)



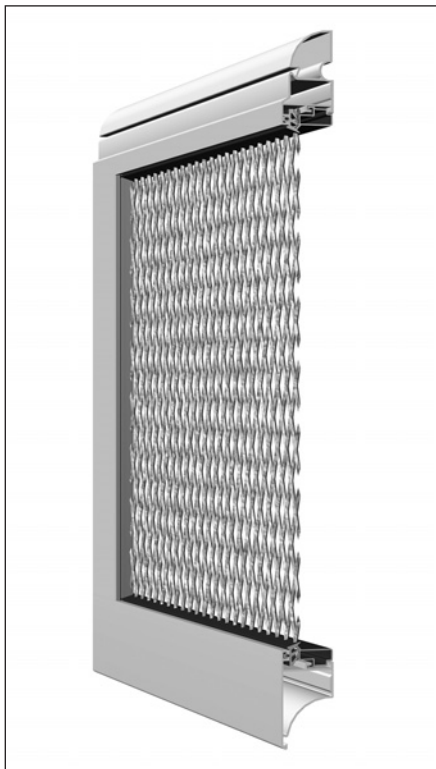
SL section with perforated sheet steel (E6/EV1)

Perforation:

□ 8 mm

Ventilation cross-section:

44%



SL section with rib mesh (V2A)

Ventilation cross-section:

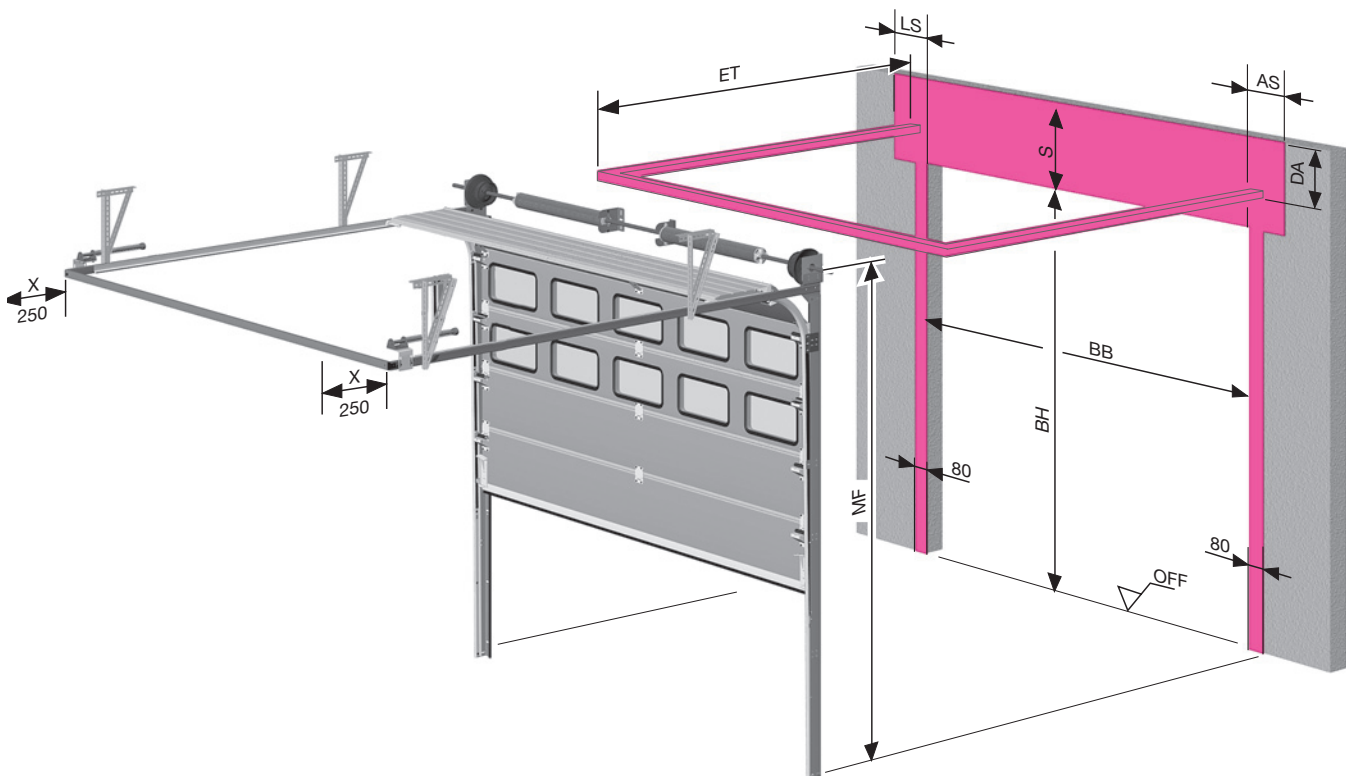
60%

6. Required space type “N” - normal fitting

Required sideroom	LS	AS
Manual operation	110	110
Geared chain	110	185
Direct drive	110	210
Chain drive	110	150
Manual chain hoist 1:1 (max. door leaf weight 250 kg)	120	200
Overhead drive IT 252.2 - for door heights up to 3000 mm - max. 48 cycles / day	110	110
All measurements in mm		

Number of required suspensions	
Up to depth of 3500 mm	2 suspensions per side
Up to depth of 4500 mm	3 suspensions per side
Up to depth of 5500 mm	4 suspensions per side
Above depth of 5500 mm	5 suspensions per side

Required headroom	DA	S	MF
BH ≤ 3600	260	400	BH + 310
BH ≥ 3601 ≤ 5500	310	450	BH + 350
BH ≥ 5501 ≤ 6000	360	500	BH + 375
BH above 6000 on request			
Installation depth	ET		
SW	BH + 525 + X		
SW 80	BH + 575 + X		



AS: Sideroom on drive side
 BB: Order dimensions width
 BH: Order dimensions height
 DA: Ceiling distance
 ET: Installation depth

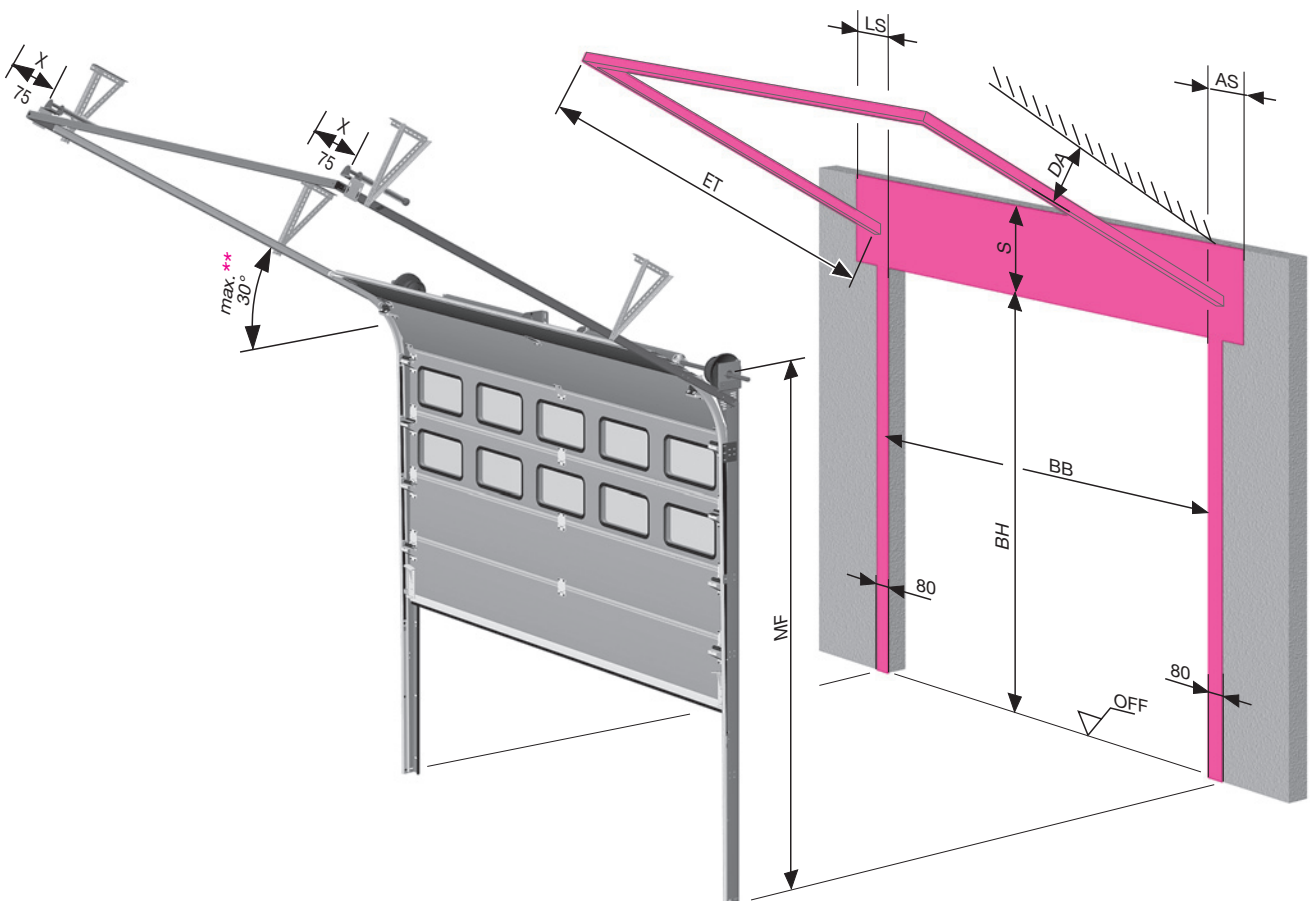
LS: Sideroom on bearing side
 MF: Middle of spring shaft
 S: Headroom
 X: Spring buffer projection

7. Required space type “ND” - normal fitting which follows the shape of the roof

Required sideroom	LS	AS
Manual operation	110	110
Geared chain	110	185
Direct drive	110	210
Chain drive	110	150
All measurements in mm		

Number of required suspensions	
Up to depth of 3500 mm	2 suspensions per side
Up to depth of 4500 mm	3 suspensions per side
Up to depth of 5500 mm	4 suspensions per side
Above depth of 5500 mm	5 suspensions per side

Required headroom	DA 5°	DA 10°	DA 15°	DA 20°	DA 25°	DA 30°	S	MF
BH ≤ 3600	260	295	325	350	370	385	470*	BH + 380
BH ≥ 3601 ≤ 5500	320	355	385	380	400	410	530*	BH + 430
BH ≥ 5501 ≤ 6000	340	375	405	400	415	430	550*	BH + 430
BH above 6000 on request								
Installation depth	ET							
SW Roof incline ≤ 30°**	BH + 575** + X							
SW 80 Roof incline ≤ 30°**	BH + 625** + X							



AS: Sideroom on drive side
 BB: Order dimensions width
 BH: Order dimensions height
 DA: Ceiling distance
 ET: Installation depth
 LS: Sideroom on bearing side
 MF: Middle of spring shaft

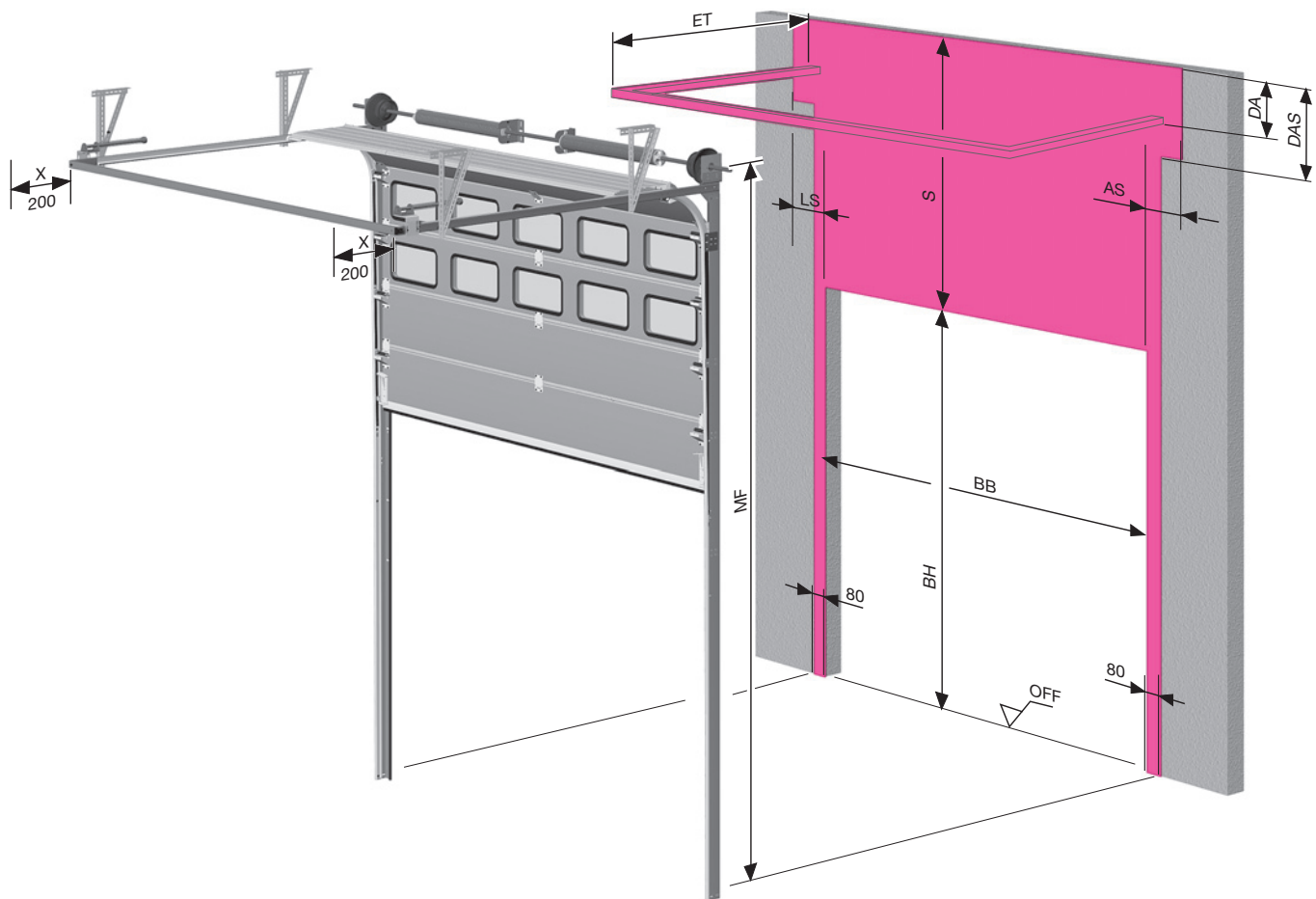
S: Headroom
 X: Spring buffer projection
 **: Standard measurement
 The angle depends on the weight of the door leaf and can sometimes differ from the standard measurement.
 Above 15° on request.

8. Required space type "HL" - high lift runner rail fitting

Required sideroom	LS	AS
Manual operation	110	110
Gearred chain	110	185
Direct drive	110	210
Chain drive	110	150
Manual chain hoist 1:1 (max. door leaf weight 250 kg)	120	200
All measurements in mm		

Number of required suspensions	
Up to depth of 3500 mm	2 suspensions per side
Up to depth of 4500 mm	3 suspensions per side
Up to depth of 5500 mm	4 suspensions per side
Above depth of 5500 mm	5 suspensions per side

Minimum ceiling distance	DA	MF
BH ≤ 4500 S ≤ 1825	310	BH + S - 105
BH ≤ 3600 S ≤ 3550	360	BH + S - 130
BH ≤ 6000 S ≤ 3600	410	BH + S - 165
BH ≤ 5500 S ≤ 4715	410	BH + S - 165
BH above 6000 on request		
Installation depth	ET	
SW	BH - S + 1350 + X	
SW 80	BH - S + 1400 + X	



AS: Sideroom on drive side
 BB: Order dimensions width
 BH: Order dimensions height
 DA: Ceiling distance
 DAS: Required headroom

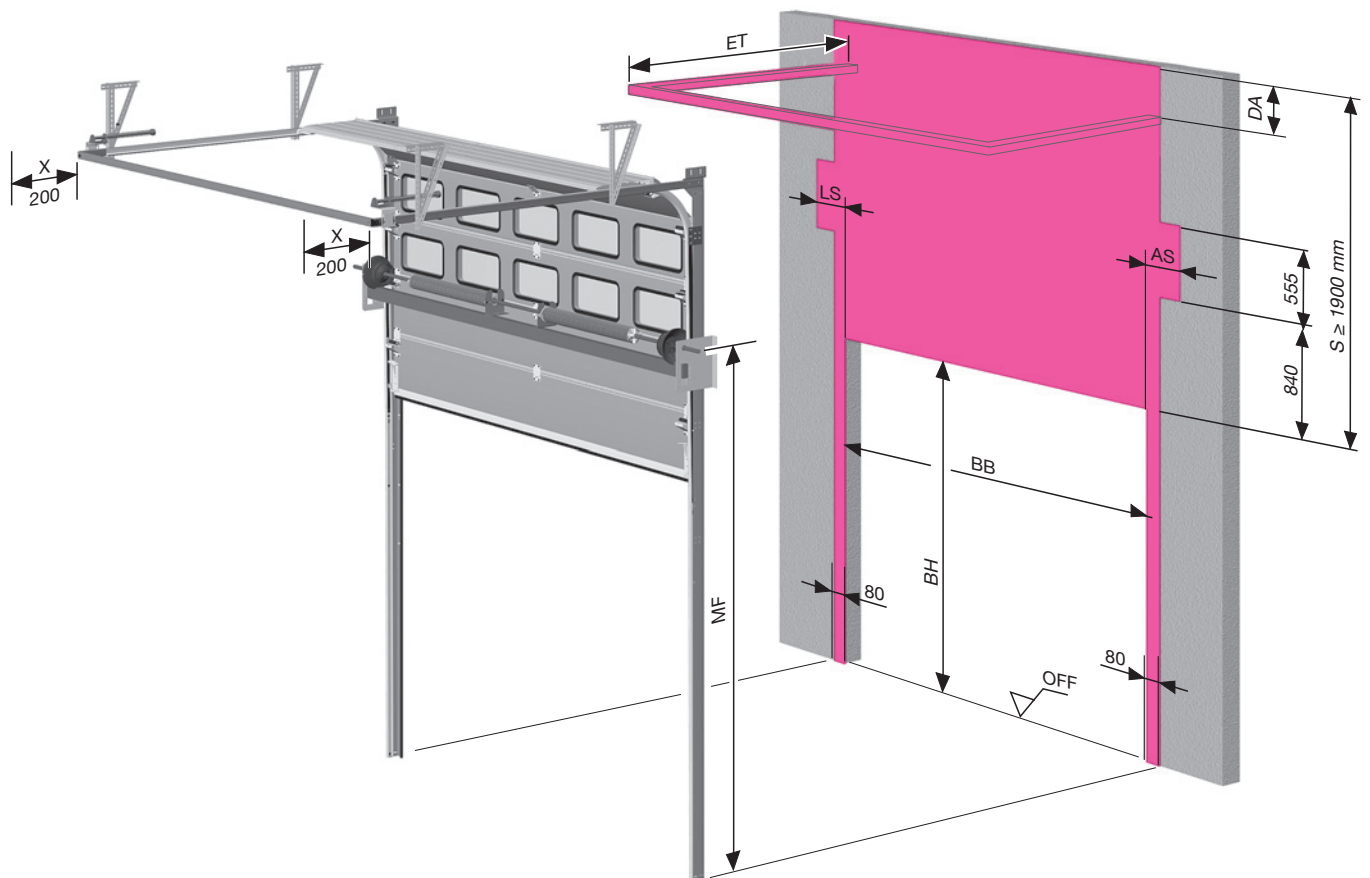
ET: Installation depth
 LS: Sideroom on bearing side
 MF: Middle of spring shaft
 S: Headroom
 X: Spring buffer projection

9. Required space type "HLU" - high lift runner rail fitting with lower torsion spring shaft

Required sideroom	LS	AS
Manual operation	120	120
Geared chain	120	160
Direct drive	120	195
Chain drive	120	135
Manual chain hoist 1:1 (max. door leaf weight 250 kg)	120	200
All measurements in mm		

Minimum ceiling distance	DA	MF
BH ≤ 3600 S ≤ 3390	200	BH + 1250
BH ≤ 6000 S ≤ 3390		
BH ≤ 5500 S ≤ 4505		
BH above 6000 on request		
Min. headroom height ≥ 1900		
Installation depth	ET	
SW	BH - S + 1150 + X	
SW 80	BH - S + 1200 + X	

Number of required suspensions	
Up to depth of 3500 mm	2 suspensions per side
Up to depth of 4500 mm	3 suspensions per side
Up to depth of 5500 mm	4 suspensions per side
Above depth of 5500 mm	5 suspensions per side



AS: Sideroom on drive side
 BB: Order dimensions width
 BH: Order dimensions height
 DA: Ceiling distance
 DAS: Required headroom

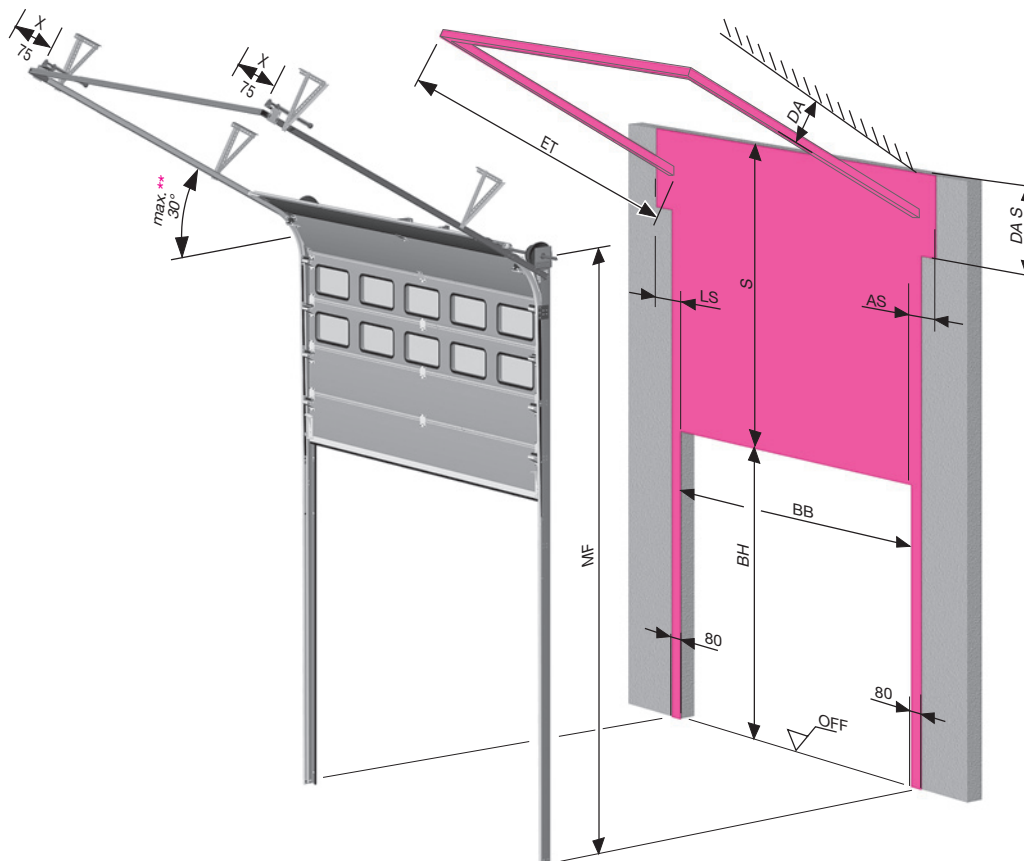
ET: Installation depth
 LS: Sideroom on bearing side
 MF: Middle of spring shaft
 S: Headroom
 X: Spring buffer projection

10. Required space type “HLD” - high lift runner rail fitting which follows the shape of the roof

Required sideroom	LS	AS
Manual operation	110	110
Gearred chain	110	185
Direct drive	110	210
Chain drive	110	150
All measurements in mm		

Number of required suspensions	
Up to depth of 3500 mm	2 suspensions per side
Up to depth of 4500 mm	3 suspensions per side
Up to depth of 5500 mm	4 suspensions per side
Above depth of 5500 mm	5 suspensions per side

Minimum ceiling distance	DA 5°	DA 10°	DA 15°	DA 20°	DA 25°	DA 30°	MF
BH ≤ 4500 S ≤ 1900	320	360	390	370	395	410	BH + S - 100
BH ≤ 3600 S ≤ 3615	360	400	430	410	430	445	BH + S - 125
BH ≤ 6000 S ≤ 3645	390	430	460	440	455	470	BH + S - 150
BH ≤ 5500 S ≤ 4760	390	430	460	440	455	470	BH + S - 150
BH above 6000 on request							
Installation depth	ET						
SW Roof incline ≤ 30°**	BH - S + 1300** + X						
SW 80 Roof incline ≤ 30°**	BH - S + 1350** + X						



AS: Sideroom on drive side
 BB: Order dimensions width
 BH: Order dimensions height
 DA: Ceiling distance
 DAS: Required headroom
 ET: Installation depth
 LS: Sideroom on bearing side

MF: Middle of spring shaft
 S: Headroom
 X: Spring buffer projection
 **: Standard measurement

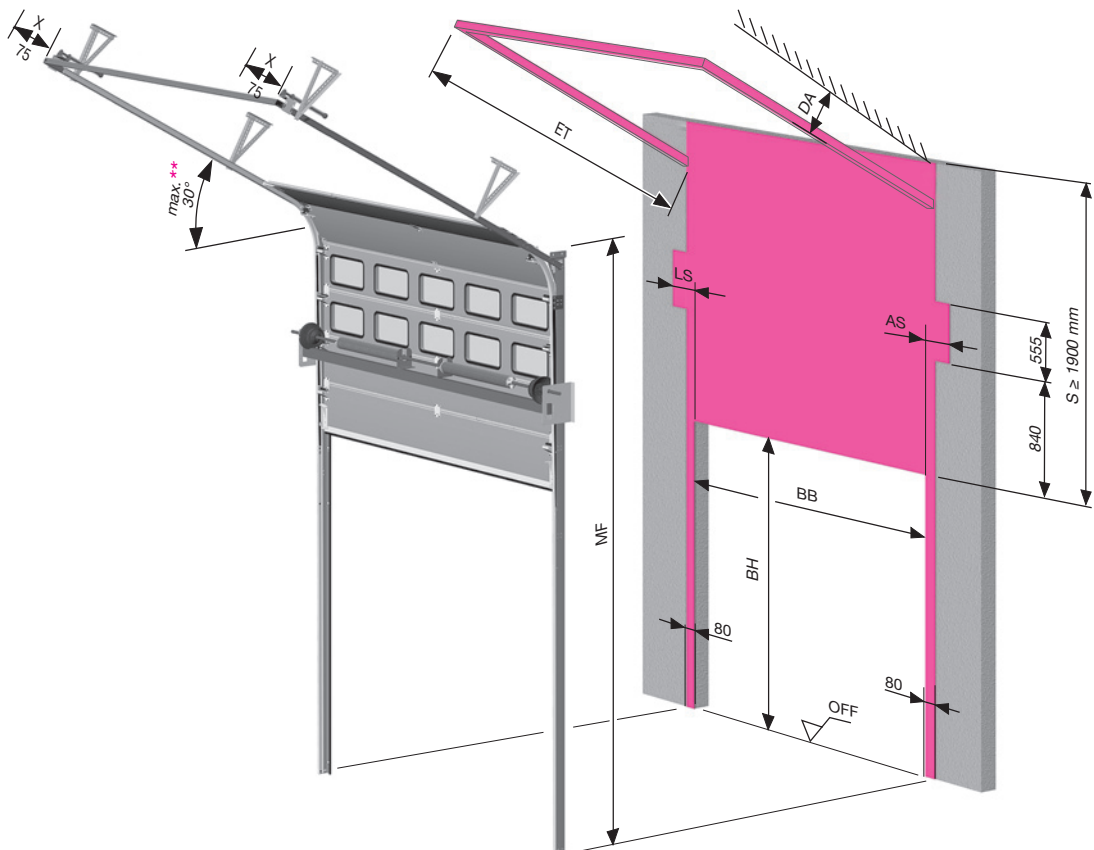
The angle depends on the weight of the door leaf and can sometimes differ from the standard measurement.
 Above 15° on request.

11. Required space type "HLDU" - high lift runner rail fitting which follows the shape of the roof with lower torsion spring shaft

Required sideroom	LS	AS
Manual operation	120	120
Geared chain	120	160
Direct drive	120	195
Chain drive	120	135
Manual chain hoist 1:1 (max. door leaf weight 250 kg)	120	200
All measurements in mm		

Number of required suspensions	
Up to depth of 3500 mm	2 suspensions per side
Up to depth of 4500 mm	3 suspensions per side
Up to depth of 5500 mm	4 suspensions per side
Above depth of 5500 mm	5 suspensions per side

Minimum ceiling distance	DA 5°	DA 10°	DA 15°	DA 20°	DA 25°	DA 30°	MF
BH ≤ 3600 S ≤ 3460	210	250	285	260	290	310	BH + 1250
BH ≤ 6000 S ≤ 3460							
BH ≤ 5500 S ≤ 4575							
BH above 6000 on request							
Min. headroom height ≥ 1900							
Installation depth	ET						
SW Roof incline ≤ 30°**	BH - S + 1100** + X						
SW 80 Roof incline ≤ 30°**	BH - S + 1150** + X						



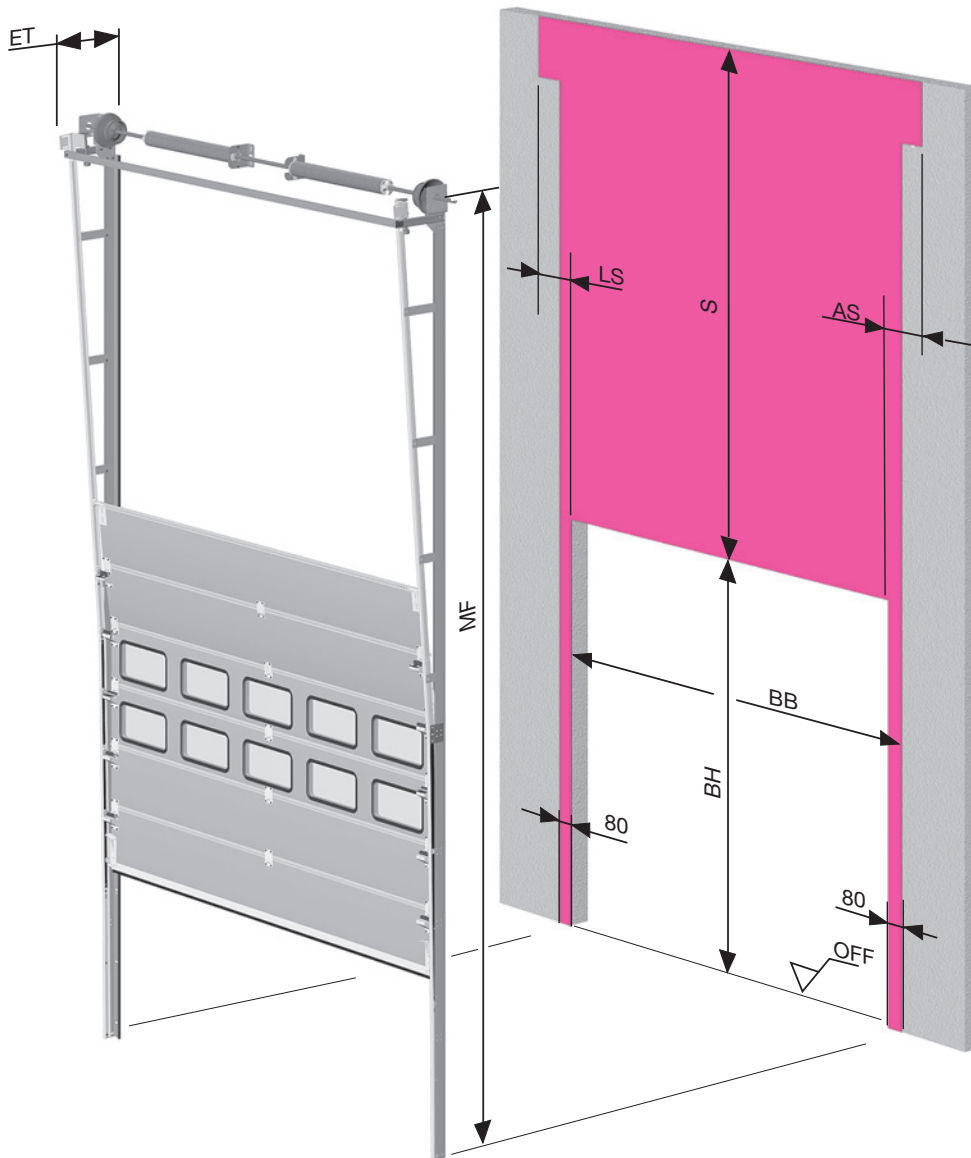
- AS: Sideroom on drive side
- BB: Order dimensions width
- BH: Order dimensions height
- DA: Ceiling distance
- ET: Installation depth
- LS: Sideroom on bearing side
- MF: Middle of spring shaft

- S: Headroom
- X: Spring buffer projection
- **:
- Standard measurement
- The angle depends on the weight of the door leaf and can sometimes differ from the standard measurement.
- Above 15° on request.

12. Required space type “VL” - vertical fitting with upper torsion spring shaft

Required sideroom	LS	AS
Manual operation	110	110
Gearred chain	110	185
Direct drive	110	210
Chain drive	110	150
Covered chain drive	110	165
All measurements in mm		

Required headroom	S	MF
$BH \leq 5000$	$BH + 500$	$BH + S - 150$
$BH \geq 5001 \leq 5500$	$BH + 550$	$BH + S - 190$
BH above 5500 on request		
Installation depth	ET	
$BH \leq 5000$	450	
$BH \geq 5001 \leq 5500$	510	



AS: Sideroom on drive side
 BB: Order dimensions width
 BH: Order dimensions height
 ET: Installation depth

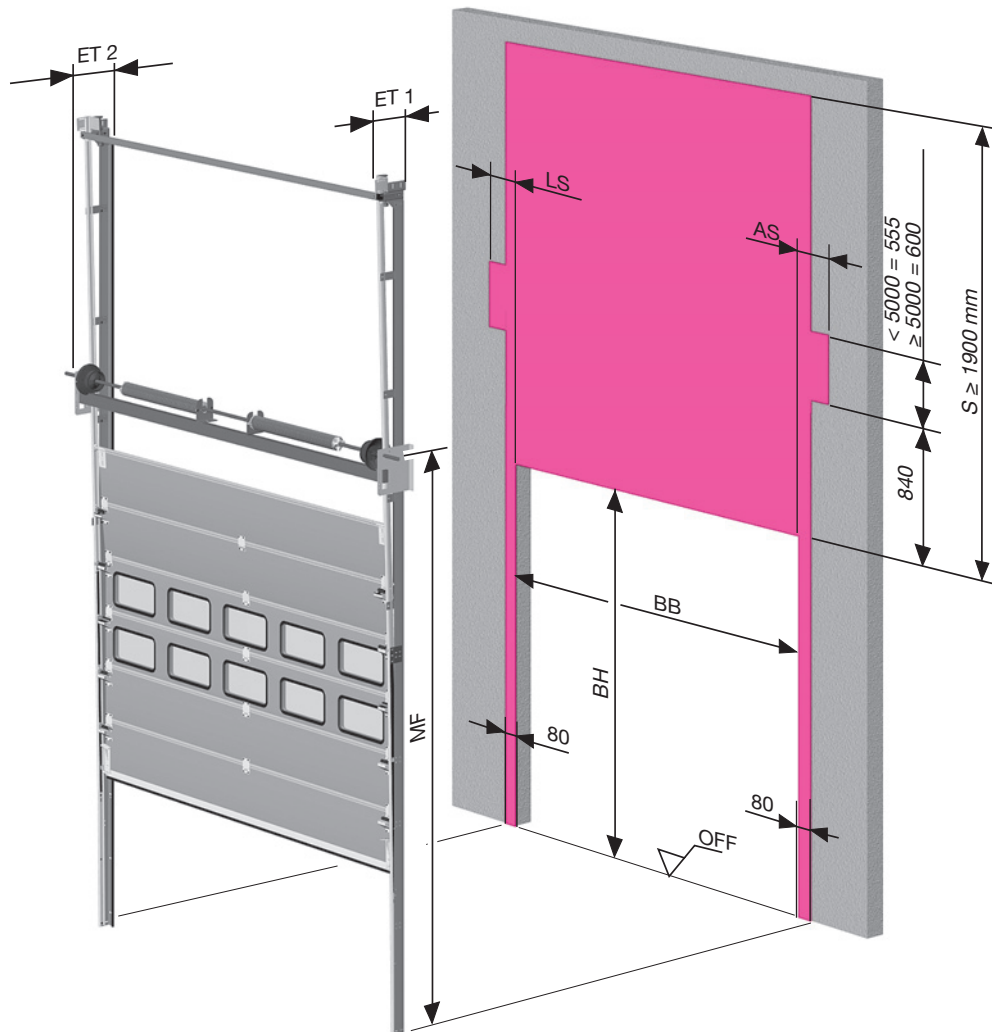
LS: Sideroom on bearing side
 MF: Middle of spring shaft
 S: Headroom

13. Required space type “VLU” - vertical fitting with lower torsion spring shaft

Required sideroom	LS	AS
Manual operation	90	90
Geared chain	90	160
Direct drive	90	195
Chain drive	90	135
Covered chain drive	90	150
Manual chain hoist 1:1 (max. door leaf weight 250 kg)	90	200
All measurements in mm		

Required headroom	S	MF
BH ≤ 5000	BH + 500	BH + 1250
BH above 5000 on request		

Installation depth	ET 1 SW	ET 2 SW	ET 1 SW 80	ET 2 SW 80
	290	495 / 535	330	535 / 575



AS: Sideroom on drive side
 BB: Order dimensions width
 BH: Order dimensions height
 ET: Installation depth

LS: Sideroom on bearing side
 MF: Middle of spring shaft
 S: Headroom

14. Required space type "NSH" - low headroom fitting


Required sideroom	LS	AS
Manual operation	120	120
Geared chain	120	120/185 ¹
Direct drive (max. 20 U/min.)	120	120/210 ²
Chain drive	120	120/150 ³
Manual chain hoist 1:1 (max. door leaf weight 250 kg)	120	180
Overhead drive IT 252.2 - for door heights up to 3000 mm - max. 48 cycles / day	120	120

¹ With geared chain on the outside (chain only possible with hanging installation / clear passage height is reduced)

² With direct drive on the outside

³ With chain drive on the outside

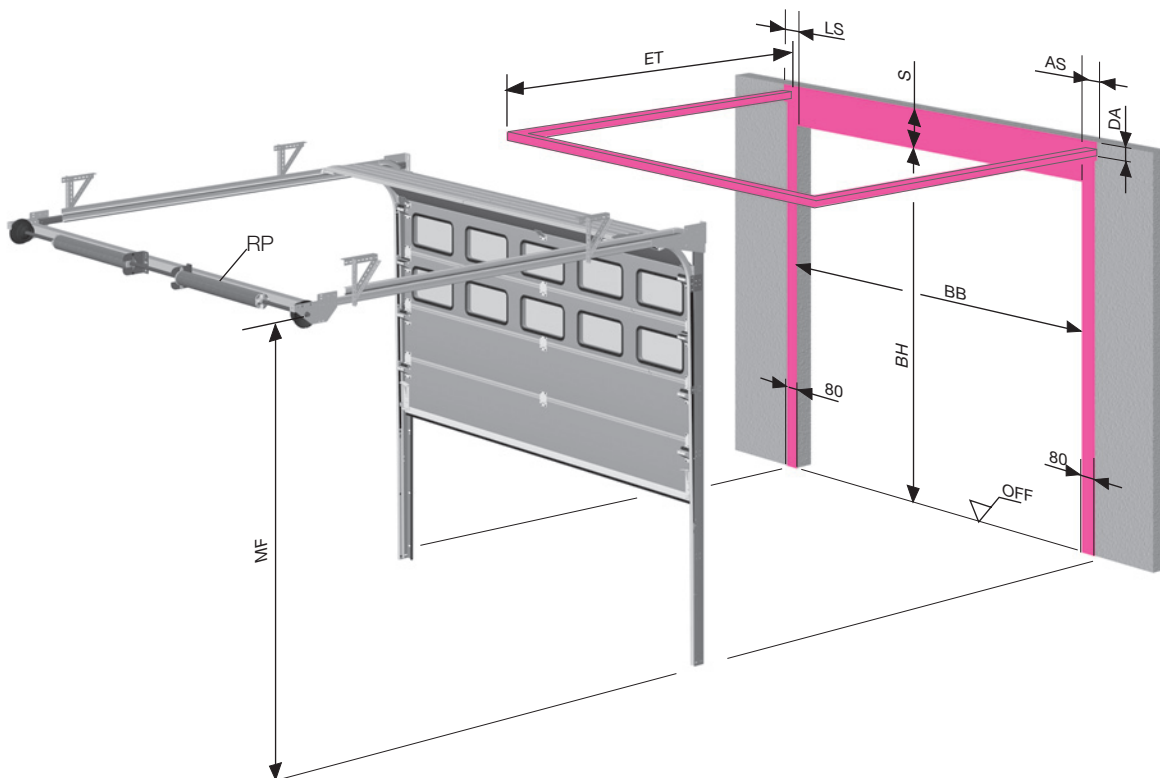
All measurements in mm

 We recommend a drive with "overhead installation", emergency handcrank or emergency unlocking

Number of required suspensions	
Up to depth of 3500 mm	2 suspensions per side
Up to depth of 4500 mm	3 suspensions per side
Up to depth of 5500 mm	4 suspensions per side
Above depth of 5500 mm	5 suspensions per side

Installation depth	ET SW/SW 80
Manual operation, without drive	BH + 900/950
Direct drive with hanging installation	BH + 1000/1050
Direct drive with horizontal installation	BH + 1150/1200

Required headroom	DA SW40/SW80	S SW40/SW80	MF
Manual operation	135/175	270/310	BH + 95
With overhead drive	185/225	300/340	BH + 95
With wicket door / overhead drive	185/225	300/340	BH + 95
With direct drive	135/175	270/310	BH + 95
BH ≤ 5500, max. 23 m ² door surface			
BH above 5500 on request			




- AS: Sideroom on drive side
- BB: Order dimensions width
- BH: Order dimensions height
- DA: Ceiling distance
- ET: Installation depth
- LS: Sideroom on bearing side
- MF: Middle of spring shaft
- RP: Tubular profile to secure spring system
- S: Headroom

15. Required space type "NSD" - low headroom fitting which follows the shape of the roof

Required sideroom	LS	AS
Manual operation	120	120
Geared chain	120	120/185 ¹
Direct drive (max. 20 rpm)	120	120/210 ²
Chain drive	120	120/150 ³
Manual chain hoist 1:1 (max. door leaf weight 250 kg)	120	180

¹ With geared chain on the outside (chain only possible with hanging installation / clear passage height is reduced)
² With direct drive on the outside
³ With chain drive on the outside

All measurements in mm

 We recommend a drive with "overhead installation", emergency handcrank or emergency unlocking .

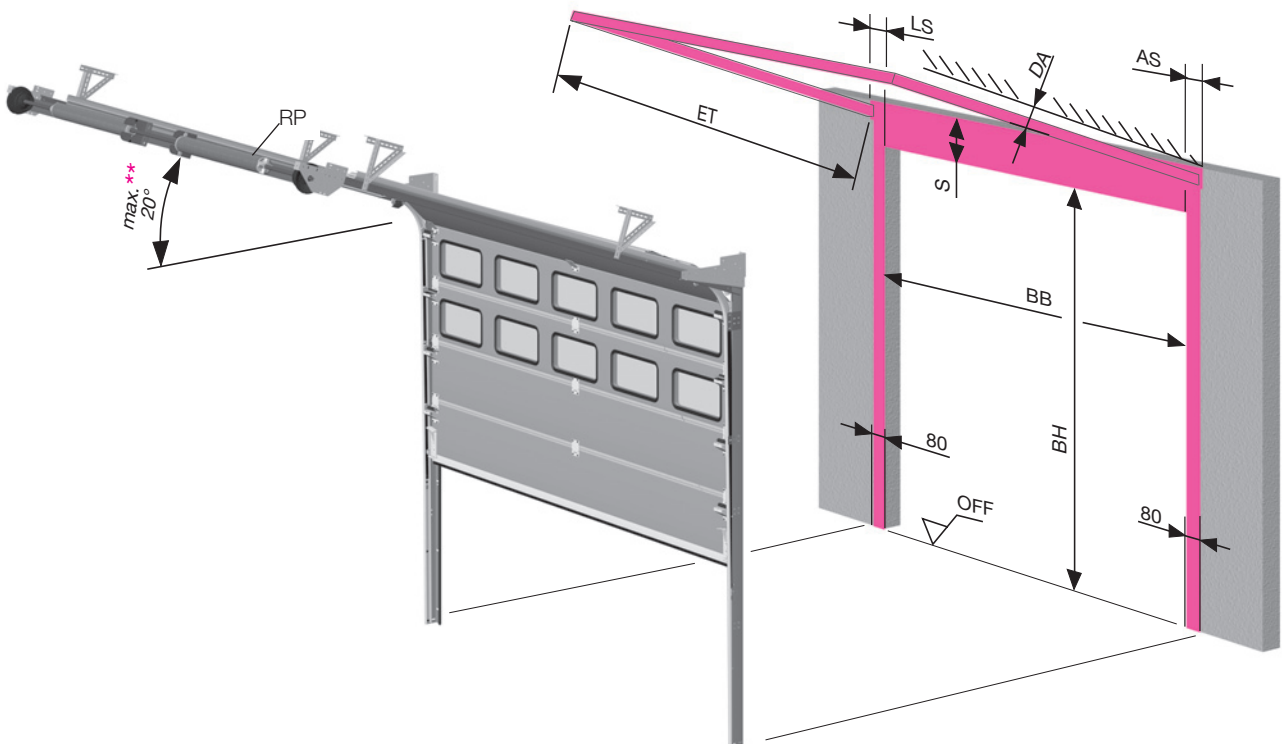
Number of required suspensions	
Up to depth of 3500 mm	2 suspensions per side
Up to depth of 4500 mm	3 suspensions per side
Up to depth of 5500 mm	4 suspensions per side
Above depth of 5500 mm	5 suspensions per side

Installation depth	ET SW/SW 80
Manual operation, without drive	BH + 830/880
Direct drive with hanging installation	BH + 950/1000
Direct drive with horizontal installation	BH + 1100/1150

Roof incline ≤ 20°**

Required headroom	DA 5°	DA 10°	DA 15°	DA 20°	S
Manual operation SW	S - 70	S - 40	S + 25	S + 50	270 ⁴
With direct drive SW					
Manual operation SW 80	S - 30	S	S + 65	S + 90	310
With direct drive SW 80					

BH ≤ 5500, max. 23 m² door surface
 BH above 5500 on request
⁴ Headroom height 250 possible on request



- AS: Sideroom on drive side
- BB: Order dimensions width
- BH: Order dimensions height
- DA: Ceiling distance
- ET: Installation depth
- LS: Sideroom on bearing side
- MF: Middle of spring shaft

- RP: Tubular profile to secure spring system
- S: Headroom
- *: Standard measurement
- The angle depends on the weight of the door leaf and can sometimes differ from the standard measurement.
- Above 20° on request.

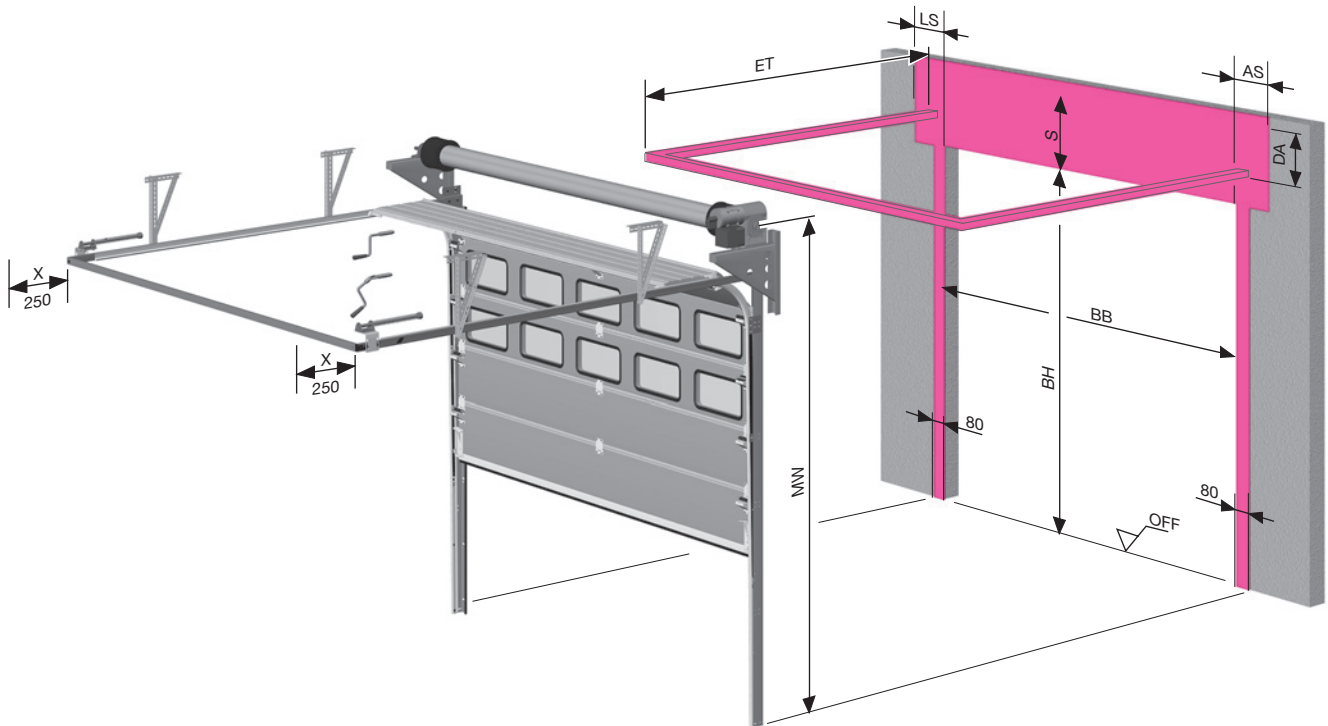


16. Required space for type “N” (normal fitting) without springs

Required sideroom*	LS	AS
Series 3 motor / Series 5 motor	150	250
Series 6 motor	150	300
All measurements in mm		

Number of required suspensions	
Up to depth of 3500 mm	2 suspensions per side
Up to depth of 4500 mm	3 suspensions per side
Up to depth of 5500 mm	4 suspensions per side
Above depth of 5500 mm	5 suspensions per side

Required headroom*	DA	S	MW
Series 3 motor	460	600	BH + 400
Series 5 motor	500	640	BH + 440
Series 6 motor	560	700	BH + 500
BH above 6000 on request			
Installation depth	ET		
SW	BH + 525 + X		
SW 80	BH + 575 + X		



AS: Sideroom on drive side
 BB: Order dimensions width
 BH: Order dimensions height
 DA: Ceiling distance
 ET: Installation depth

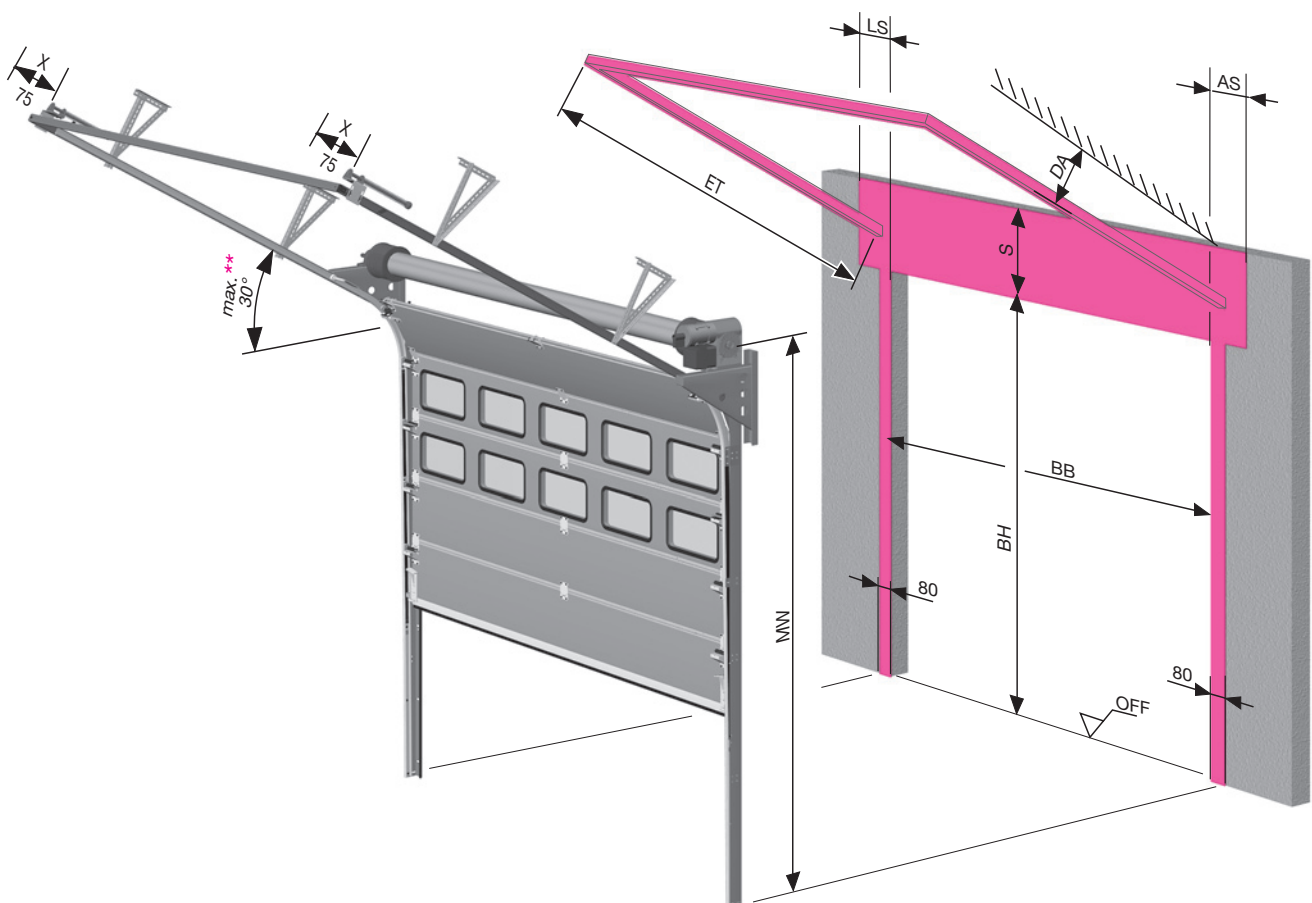
LS: Sideroom on bearing side
 MW: Middle of shaft
 S: Headroom
 X: Spring buffer projection
 * For drive sizes, see page 32

17. Required space for type “ND” (normal fitting with roof incline) without springs

Required sideroom*	LS	AS
Series 3 motor / Series 5 motor	150	250
Series 6 motor	150	300
All measurements in mm		

Number of required suspensions	
Up to depth of 3500 mm	2 suspensions per side
Up to depth of 4500 mm	3 suspensions per side
Up to depth of 5500 mm	4 suspensions per side
Above depth of 5500 mm	5 suspensions per side

Required headroom*	DA	S	MW
Series 3 motor	460	600	BH + 400
Series 5 motor	500	640	BH + 440
Series 6 motor	560	700	BH + 500
BH above 6000 on request			
Installation depth	ET		
SW Roof incline $\leq 30^{\circ}$ **	BH + 575** + X		
SW 80 Roof incline $\leq 30^{\circ}$ **	BH + 625** + X		



AS: Sideroom on drive side
 BB: Order dimensions width
 BH: Order dimensions height
 DA: Ceiling distance
 ET: Installation depth
 LS: Sideroom on bearing side
 MW: Middle of shaft

S: Headroom
 X: Spring buffer projection
 * For drive sizes, see page 32

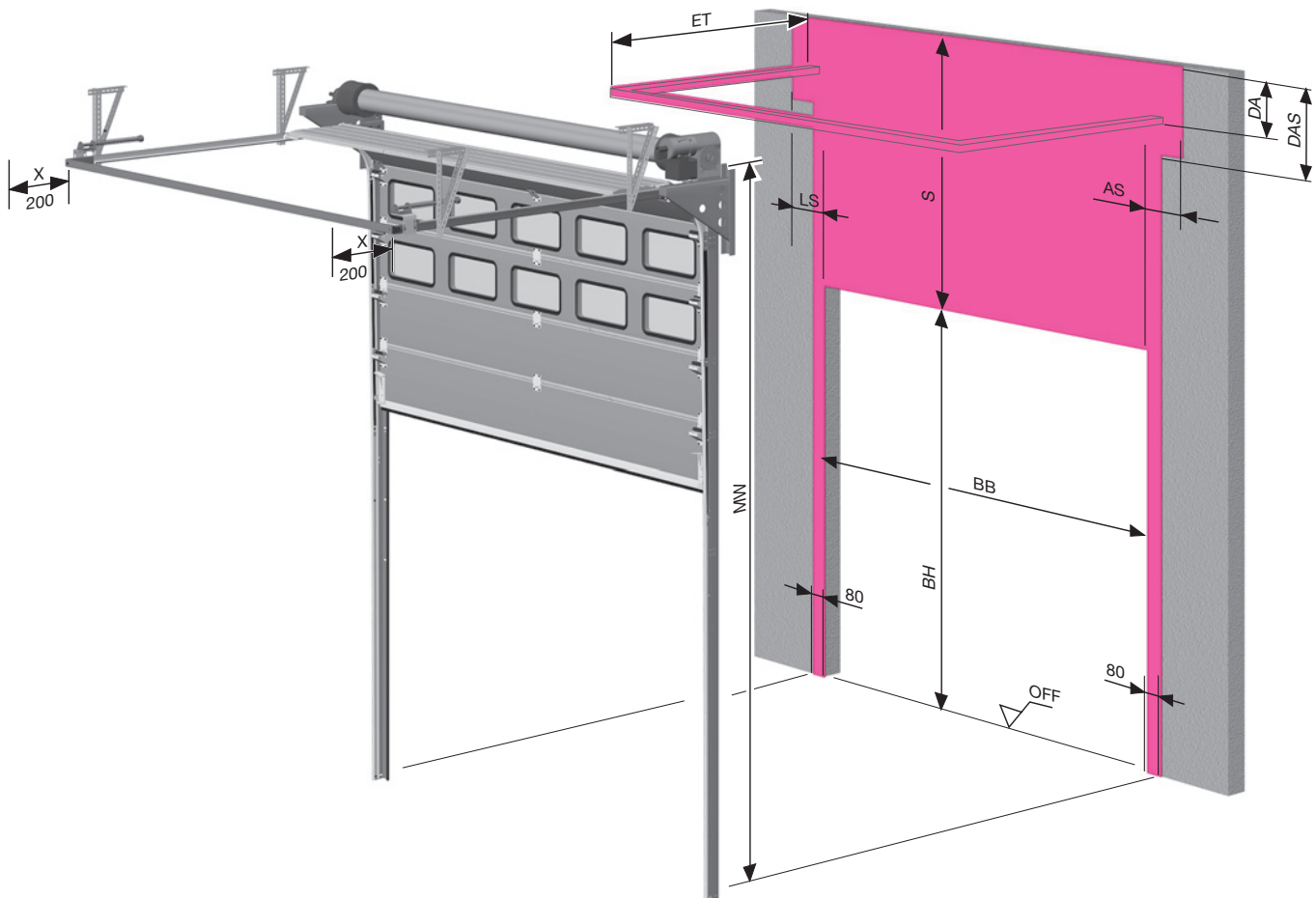
** Standard measurement
 The angle depends on the weight of the door leaf and can sometimes differ from the standard measurement.
 Above 15° on request.

18. Required space for type “HL” (high lift runner rail fitting) without springs

Required sideroom*	LS	AS
Series 3 motor / Series 5 motor	150	250
Series 6 motor	150	300
All measurements in mm		

Number of required suspensions	
Up to depth of 3500 mm	2 suspensions per side
Up to depth of 4500 mm	3 suspensions per side
Up to depth of 5500 mm	4 suspensions per side
Above depth of 5500 mm	5 suspensions per side

Minimum ceiling distance*	DA	MW
Series 3 motor	BH + S - 460	BH + S - 200
Series 5 motor	BH + S - 500	BH + S - 200
Series 6 motor	BH + S - 560	BH + S - 200
BH above 6000 on request		
Installation depth	ET	
SW	BH - S + 1350 + X	
SW 80	BH - S + 1400 + X	



AS: Sideroom on drive side
 BB: Order dimensions width
 BH: Order dimensions height
 DA: Ceiling distance
 DAS: Required headroom

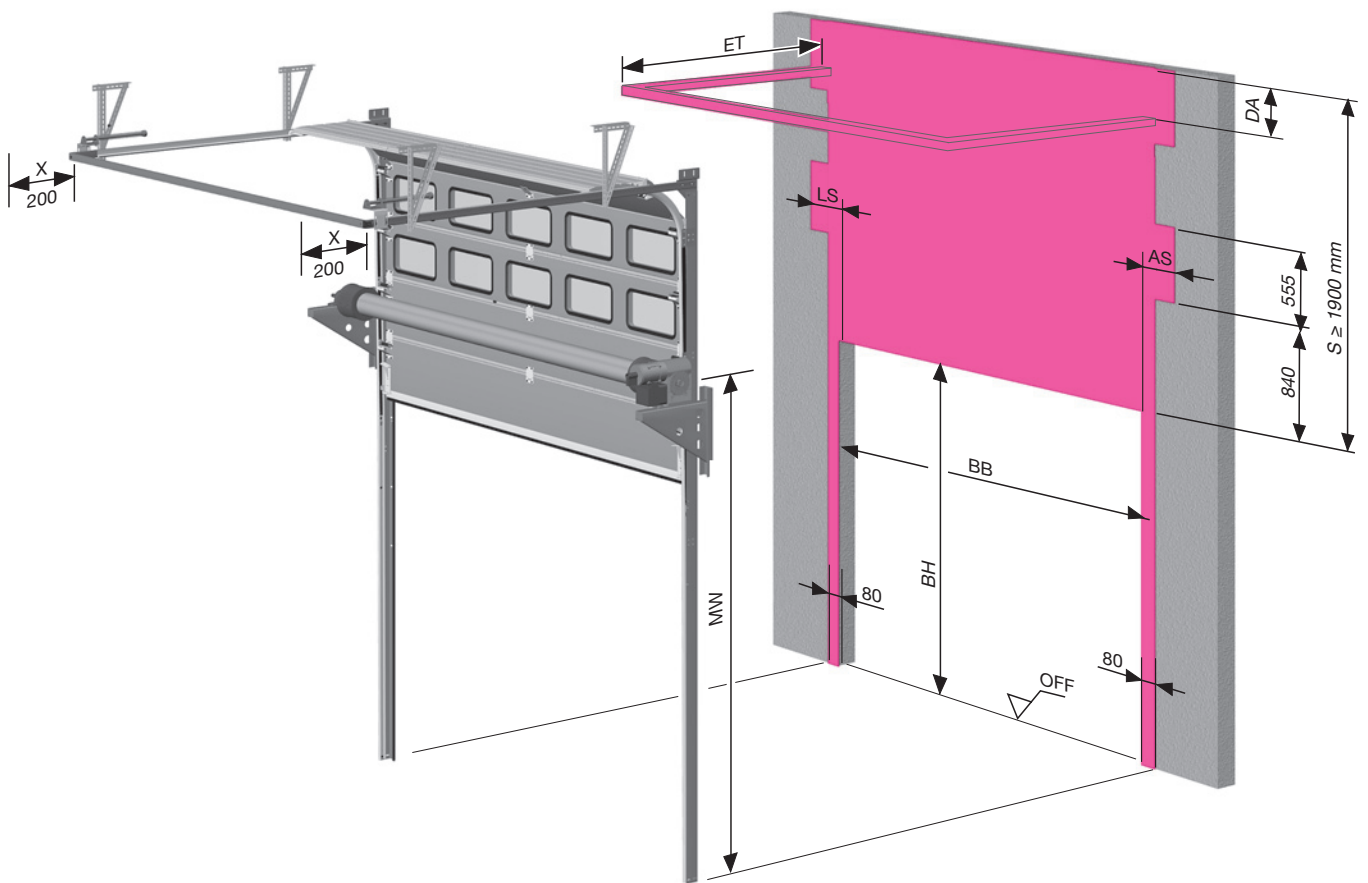
ET: Installation depth
 LS: Sideroom on bearing side
 MW: Middle of shaft
 S: Headroom
 X: Spring buffer projection
 * For drive sizes, see page 32

19. Required space for type "HLU" (high lift runner rail fitting) without springs

Required sideroom*	LS	AS
Series 3 motor / Series 5 motor	150	250
Series 6 motor	150	300
All measurements in mm		

Number of required suspensions	
Up to depth of 3500 mm	2 suspensions per side
Up to depth of 4500 mm	3 suspensions per side
Up to depth of 5500 mm	4 suspensions per side
Above depth of 5500 mm	5 suspensions per side

Minimum ceiling distance	DA	MW
all motors	200	BH + 1250
BH above 6000 on request		
Min. headroom height ≥ 1900		
Installation depth	ET	
SW	BH - S + 1150 + X	
SW 80	BH - S + 1200 + X	



AS: Sideroom on drive side
 BB: Order dimensions width
 BH: Order dimensions height
 DA: Ceiling distance
 DAS: Required headroom

ET: Installation depth
 LS: Sideroom on bearing side
 MW: Middle of shaft
 S: Headroom
 X: Spring buffer projection
 * For drive sizes, see page 32

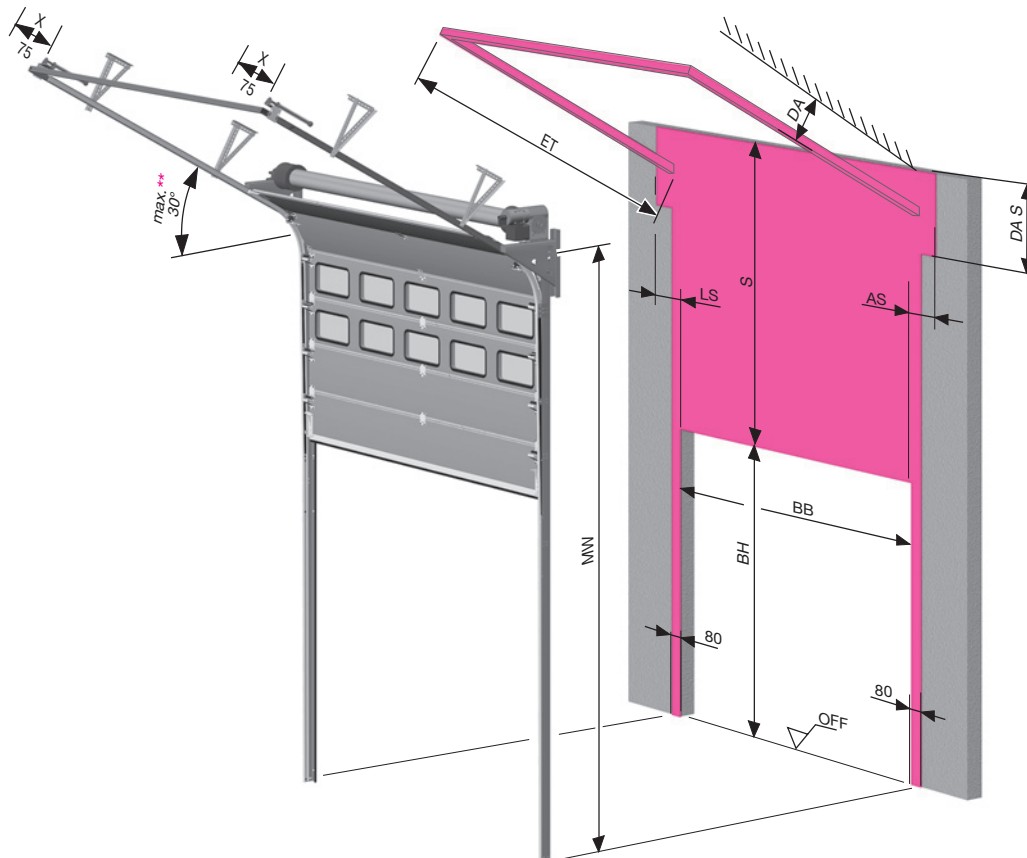


20. Required space for type “HLD” (high lift runner rail fitting with roof incline) without springs

Required sideroom*	LS	AS
Series 3 motor / Series 5 motor	150	250
Series 6 motor	150	300
All measurements in mm		

Number of required suspensions	
Up to depth of 3500 mm	2 suspensions per side
Up to depth of 4500 mm	3 suspensions per side
Up to depth of 5500 mm	4 suspensions per side
Above depth of 5500 mm	5 suspensions per side

Minimum ceiling distance*	DA	MW
Series 3 motor	600	BH + S - 200
Series 5 motor	640	BH + S - 200
Series 6 motor	700	BH + S - 200
BH above 6000 on request		
Installation depth	ET	
SW Roof incline $\leq 30^{\circ**}$	BH - S + 1300** + X	
SW 80 Roof incline $\leq 30^{\circ**}$	BH - S + 1350** + X	



AS: Sideroom on drive side
 BB: Order dimensions width
 BH: Order dimensions height
 DA: Ceiling distance
 DAS: Required headroom
 ET: Installation depth
 LS: Sideroom on bearing side
 MW: Middle of shaft

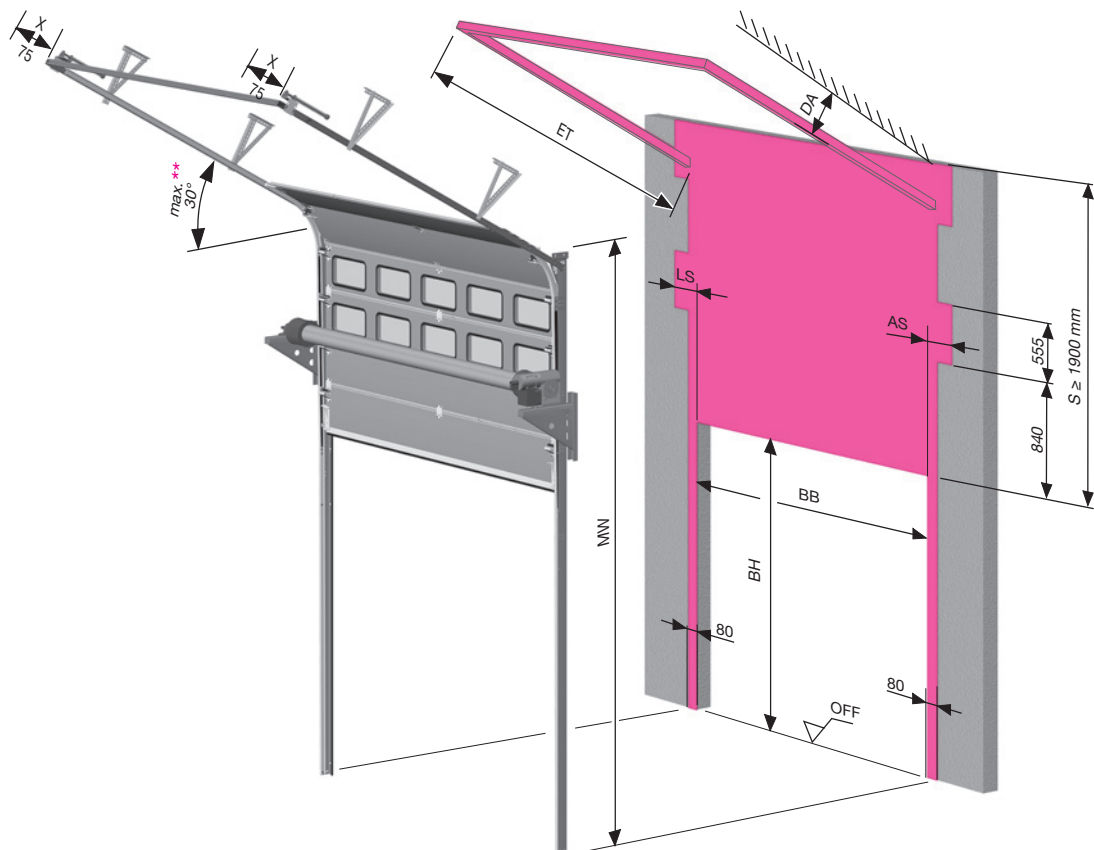
S: Headroom
 X: Spring buffer projection
 * For drive sizes, see page 32
 **: Standard measurement
 The angle depends on the weight of the door leaf and can sometimes differ from the standard measurement.
 Above 15° on request.

21. Required space for type “HLDU” (high lift runner rail fitting with roof incline) without springs

Required sideroom*	LS	AS
Series 3 motor / Series 5 motor	150	250
Series 6 motor	150	300
All measurements in mm		

Number of required suspensions	
Up to depth of 3500 mm	2 suspensions per side
Up to depth of 4500 mm	3 suspensions per side
Up to depth of 5500 mm	4 suspensions per side
Above depth of 5500 mm	5 suspensions per side

Minimum ceiling distance*	DA	MW
Series 3 motor	600	BH + 1250
Series 5 motor	640	BH + 1250
Series 6 motor	700	BH + 1250
BH above 6000 on request		
Installation depth	ET	
SW Roof incline $\leq 30^{\circ}$ **	$BH - S + 1100^{**} + X$	
SW 80 Roof incline $\leq 30^{\circ}$ **	$BH - S + 1150^{**} + X$	



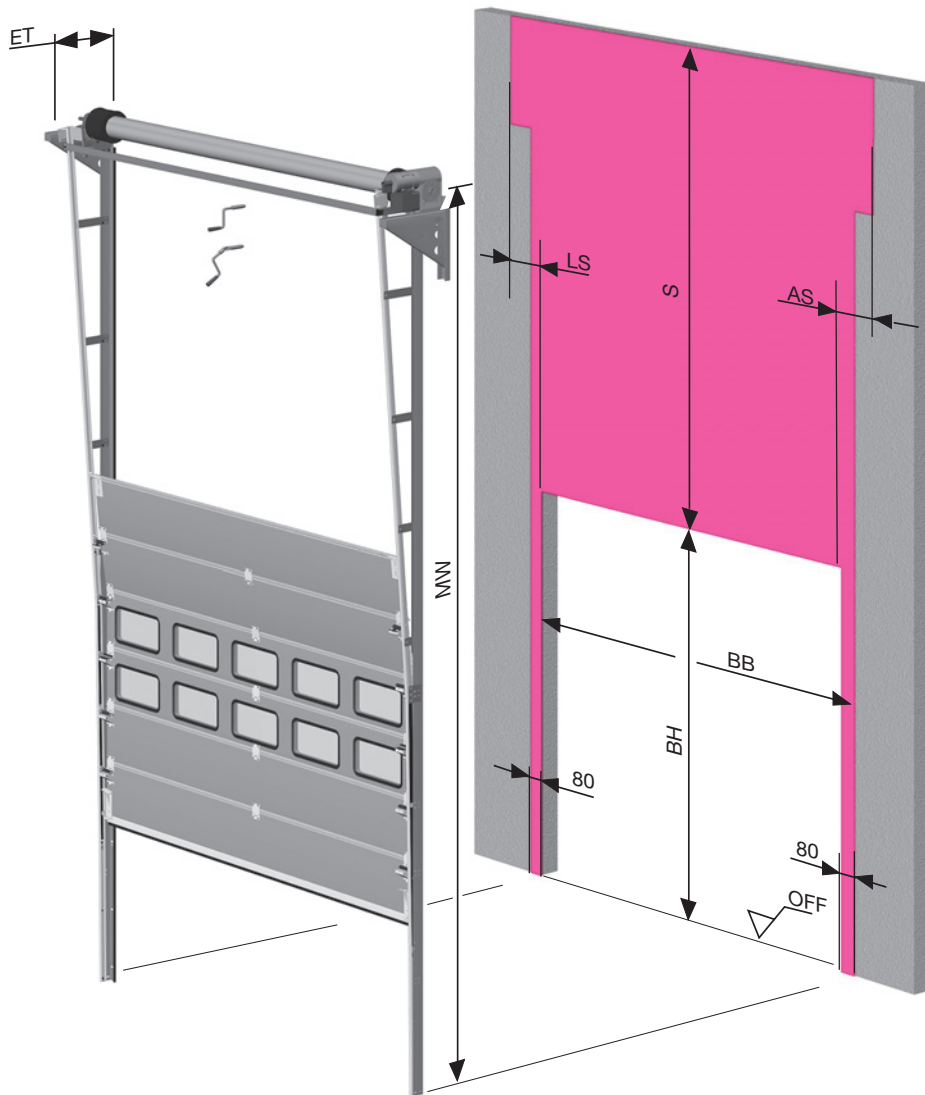
AS: Sideroom on drive side
 BB: Order dimensions width
 BH: Order dimensions height
 DA: Ceiling distance
 ET: Installation depth
 LS: Sideroom on bearing side
 MW: Middle of shaft

S: Headroom
 X: Spring buffer projection
 * For drive sizes, see page 32
 **: Standard measurement
 The angle depends on the weight of the door leaf and can sometimes differ from the standard measurement.
 Above 15° on request.

22. Required space for type “VL” (vertical fitting) without springs

Required sideroom*	LS	AS
Series 3 motor / Series 5 motor	150	250
Series 6 motor	150	300
All measurements in mm		

Required headroom*	S	MW
Series 3 motor	BH + BH + 600	BH + S - 200
Series 5 motor	BH + BH + 640	BH + S - 200
Series 6 motor	BH + BH + 700	BH + S - 200
BH above 5500 on request		
Installation depth	ET	
BH ≤ 5000	450	
BH ≥ 5001 ≤ 5500	510	



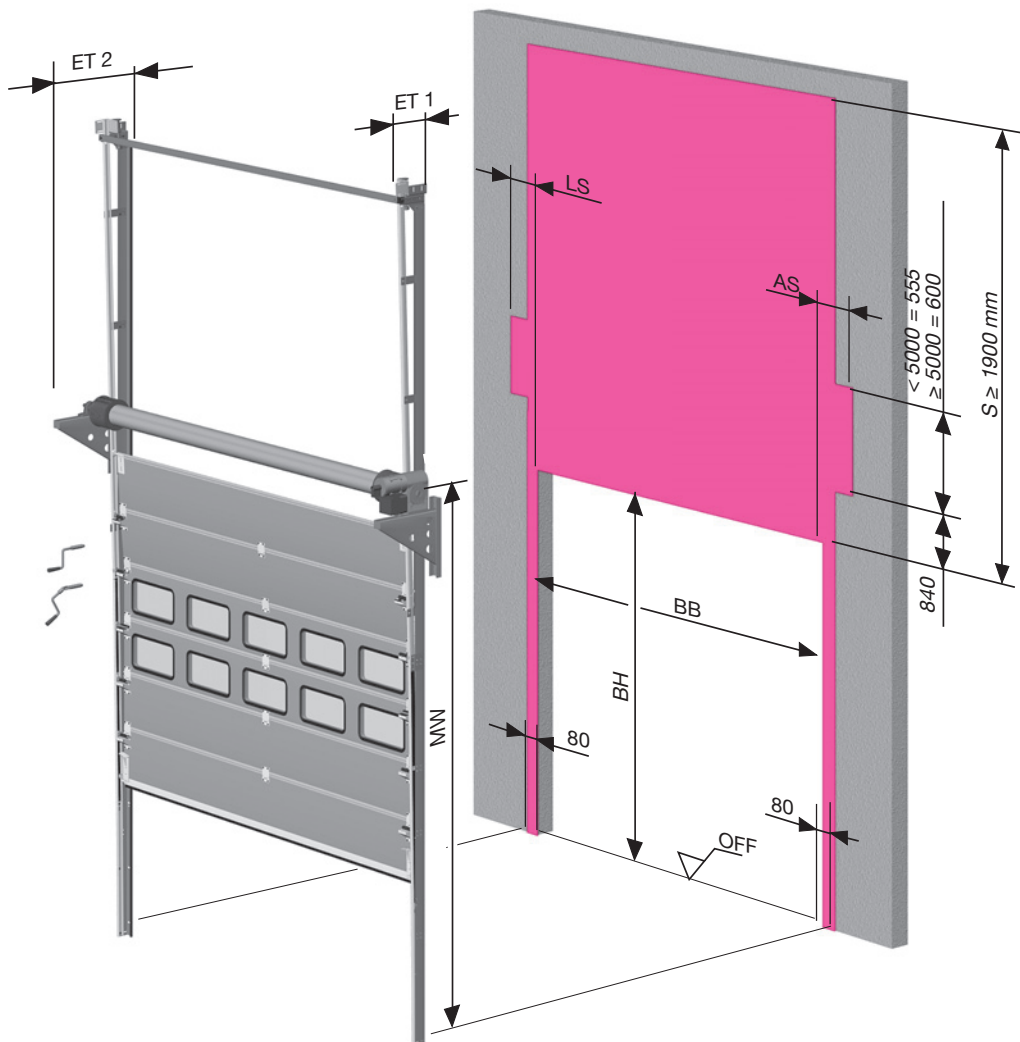
AS: Sideroom on drive side
 BB: Order dimensions width
 BH: Order dimensions height
 ET: Installation depth

LS: Sideroom on bearing side
 MW: Middle of shaft
 S: Headroom
 * For drive sizes, see page 32

23. Required space for type “VLU” (vertical fitting) without springs

Required sideroom*	LS	AS
Series 3 motor / Series 5 motor	150	250
Series 6 motor	150	300
All measurements in mm		

Required headroom	S	MW
BH ≤ 5000 (all motors)	BH + BH + 100	BH + 1250
BH above 5000 on request		
Installation depth	ET 1 without springs	ET 2 without springs
	330	740



AS: Sideroom on drive side
 BB: Order dimensions width
 BH: Order dimensions height
 ET: Installation depth

LS: Sideroom on bearing side
 MW: Middle of shaft
 S: Headroom
 * For drive sizes, see page 32

24. Component assignment for system without springs

Component assignment for system without springs		Width of sectional door ->																																						
		2250	2500	2750	3000	3250	3500	3750	4000	4250	4500	4750	5000	5250	5500	5750	6000	6250	6500	7000	7250	7500	7750	8000	8250	8500	8750	9000	9250	9500	9750	10000								
Height of sectional door ->	7750																																							
	7500																																							
7250																																								
7000																																								
6750																																								
6500																																								
6250																																								
6000																																								
5750																																								
5500																																								
5250																																								
5000																																								
4750																																								
4500																																								
4250																																								
4000																																								
3750																																								
3500																																								
3250																																								
3000																																								
2750																																								
2500																																								
2250																																								
2000																																								
2000																																								

25. Side door N 53

Side door:

Ready-to-install door element with E6/EV 1 black plastic handle/handle.

Lock prepared for profile cylinder. Cylinder length 30 + 30.

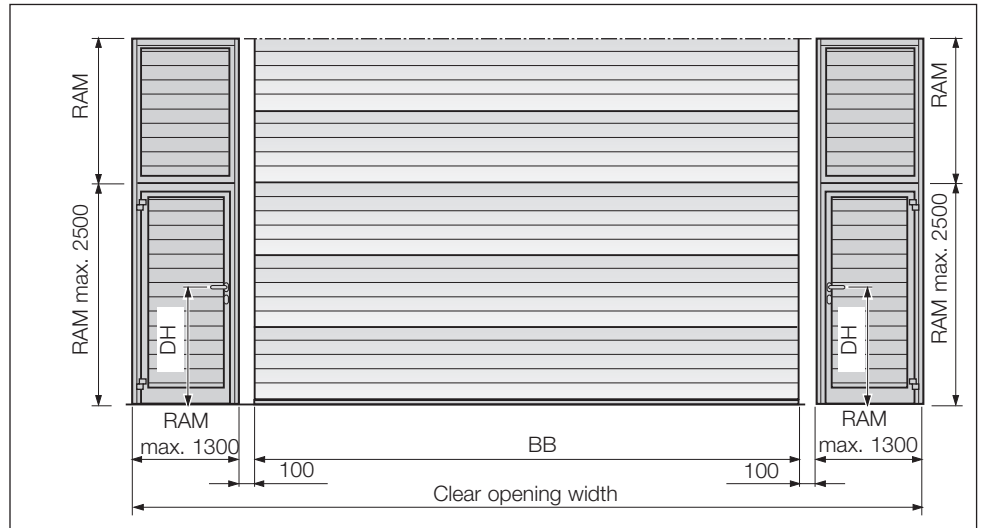
To match door leaf.

Design:

Extruded E6/EV1 profiles, anodized.

Installation depth 65 mm, double seal on 3 sides around the threshold.

With sliding threshold seal.

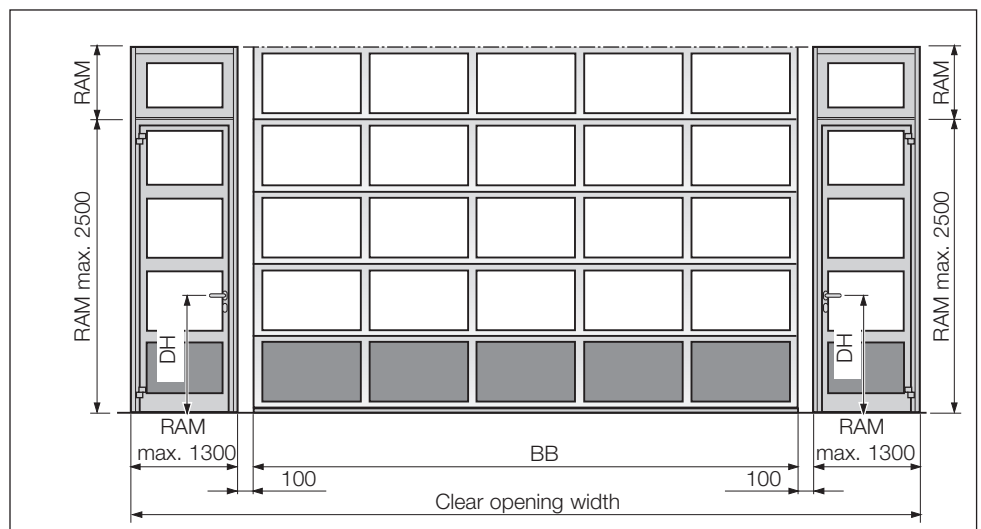
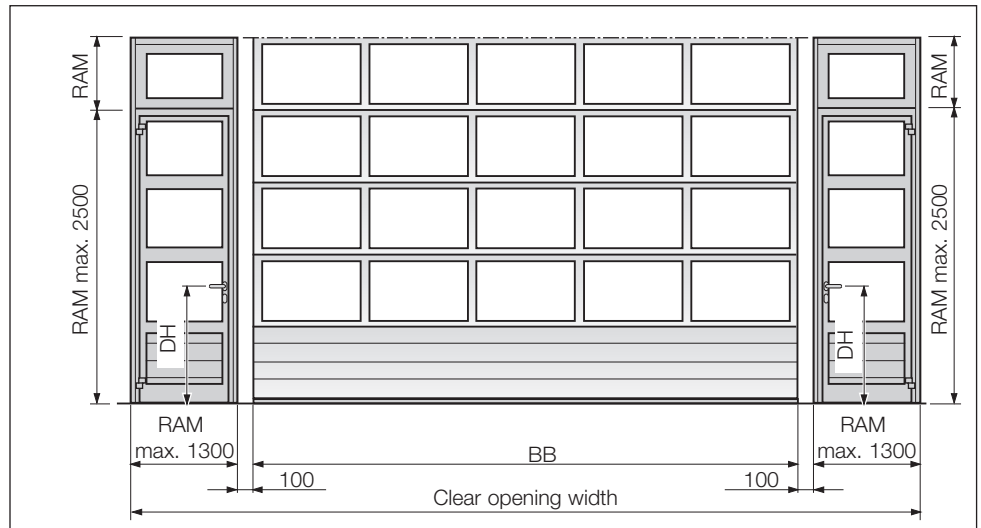


Panels to match SW, SLW and SL doors.

DH: Handle height (value depends on the system panel height, approx. 1035 mm)

BB: Order dimensions width

RAM: Overall frame size



Note:

The side door N 53 can only be installed for SW doors. Installation is not possible for SW 80 doors.

26. SW sectional door

SW door leaf

Installation

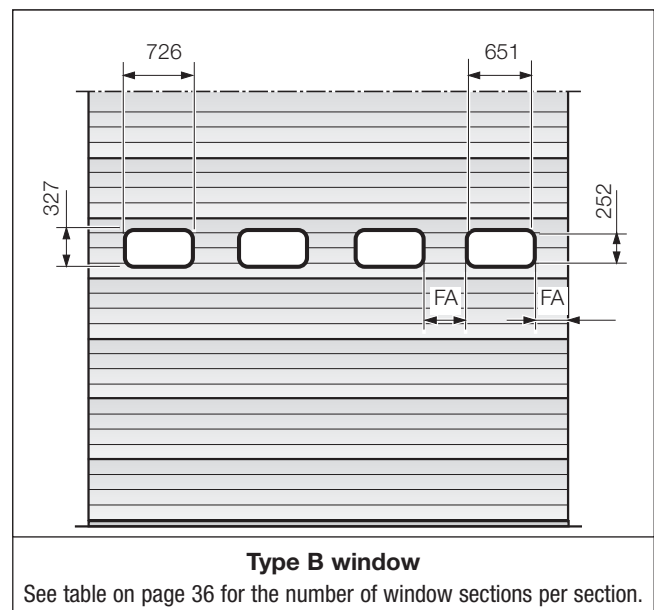
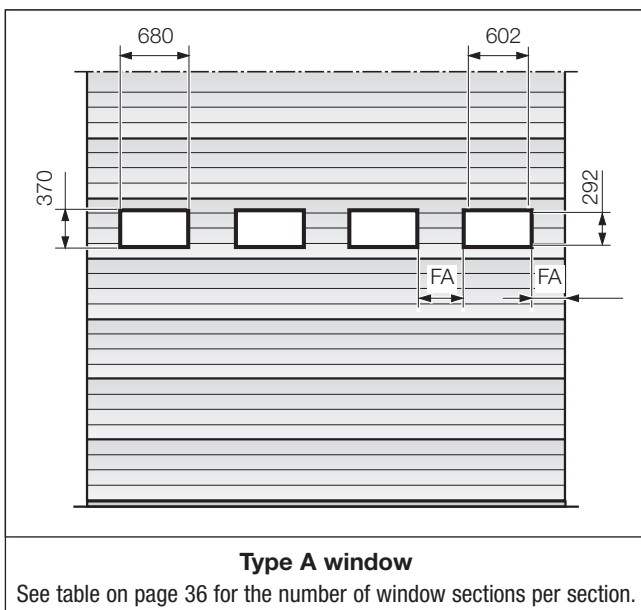
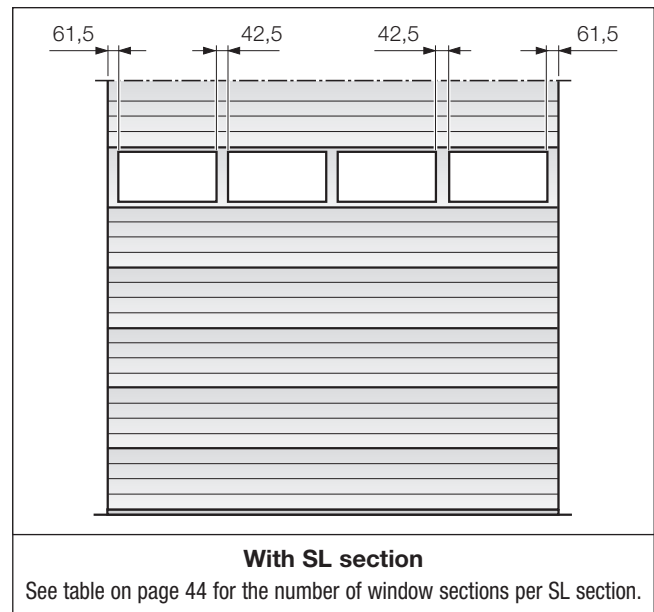
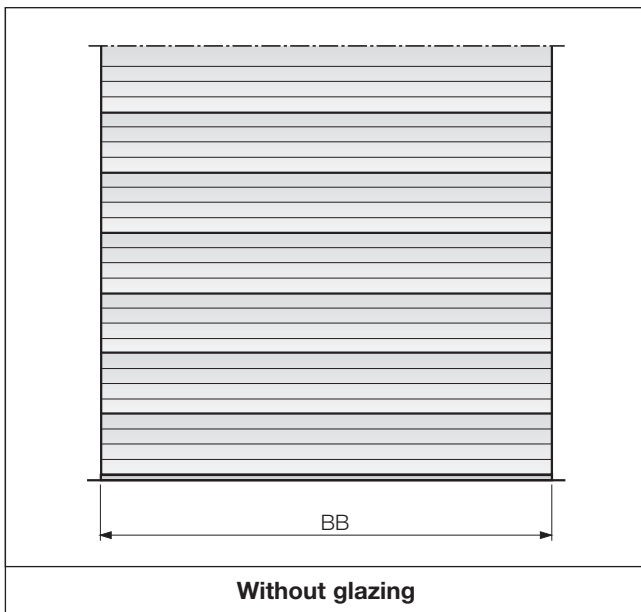
depth: 40 mm
 Material: Sheet steel panel 625 mm
 (493 mm as adjustment panel)
 PU foam core, double skinned
 Design: Evenly ribbed exterior stucco design
 or
 ribbed/unribbed micro-profiled

All sections with central seals.

All sections with finger pinch protection on the inside and outside.

BB: Order dimensions width

FA: Distance between windows



26. SW sectional door

SW door leaf with wicket

Installation

depth: 40 mm

Material: Steel system panel height 700 mm
PU foam core, double skinned

Design: Evenly ribbed exterior stucco design
or
ribbed/unribbed micro-profiled

All sections with central seals.

All sections with finger pinch protection on the inside and outside.

Wicket door “in the middle” as shown.

Wicket door can also be positioned on the left or right-hand side (min. distance from edge 500 mm).
Baffle plate of the wicket door always E6/EV1.

Only opens outwards.

DIN right or left optional.

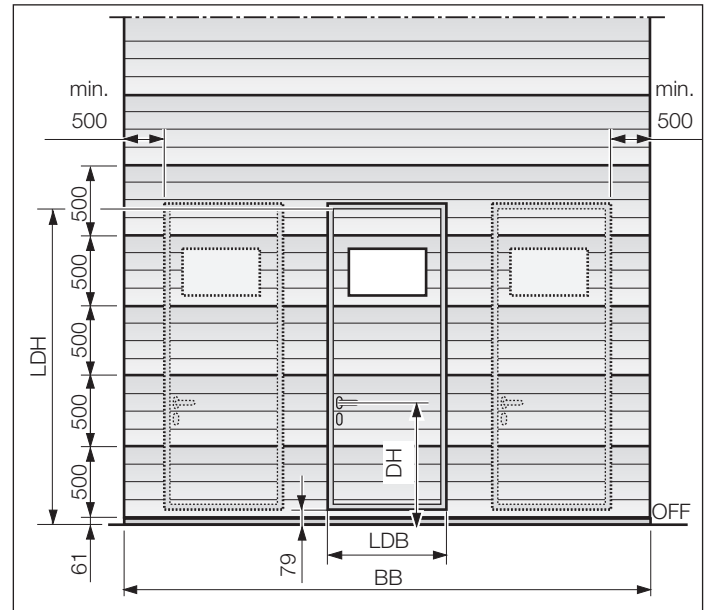
Matching door glazing possible.

LDB: Clear passage door width
(standard width 875 mm)

LDH: Clear passage door height (value depends on the system panel height, min. value approx. 2000 mm)

DH: Handle height
(value depends on the system panel height, approx. 1035 mm)

BB: Order dimensions width



Wicket door \leq 4500 mm

Threshold = 85 mm

Wicket door $>$ 4500 mm

Threshold = 200 mm

26. SW sectional door

SW	This type of wicket door only available up to a width of 6000 mm! Wicket door can be located in any position / Minimum distance from the edge 500 mm!																	Number of sections	Fitting types											
	7000	6750	6500	6250	6000	5750	5500	5250	5000	4750	4500	4250	4125	4000	3875	3750	3625			3500	3375	3250	3125	3000	2875	2750	2625	2500	2375	2250
	Other sizes available on request																		N											
	System panel height: 625 mm																	8	ND											
																		8	HL											
																		8	HLU											
																		7	HLD											
																		7	HLDU											
																		7	NSH											
																		6	NSD											
																		6	VL											
																		6	VLU											
																		6												
																		6												
																		6												
																		6												
																		5												
																		5												
																		5												
																		5												
																		5												
																		5												
																		5												
																		4												
																		4												
																		4												
																		4												
																		4												
																		4												
																		4												
																		4												
																		3												
																		3												
																		3												
																		3												
																		625 sections												

<- Width of sectional door ->

Max. door weight = 300 kg (m²/23 kg)
Max. door width = 6000 mm

2	3	4	5	6	7	8	Number of fillings per SW section
2	3	4	5	6	7	8	Number of type A/B windows per SW section
3	4	5	6	8	7	8	Number of ventilation grilles per SW section

27. SW 80 sectional door

SW 80 door leaf

Installation

depth: 80 mm

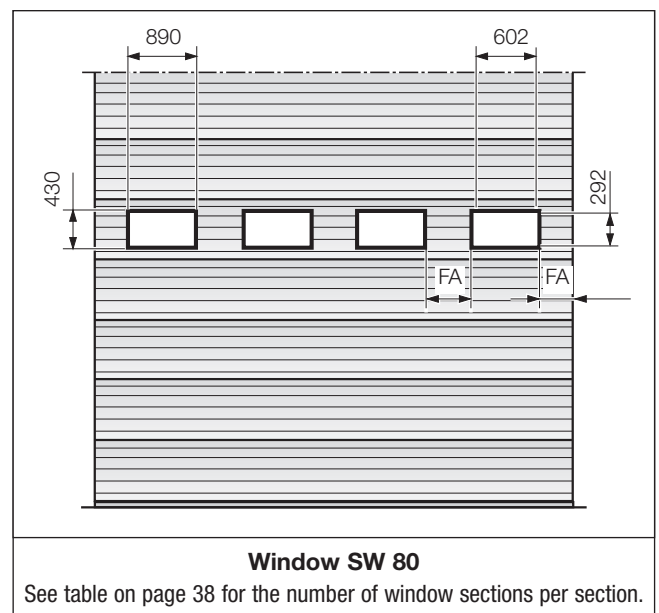
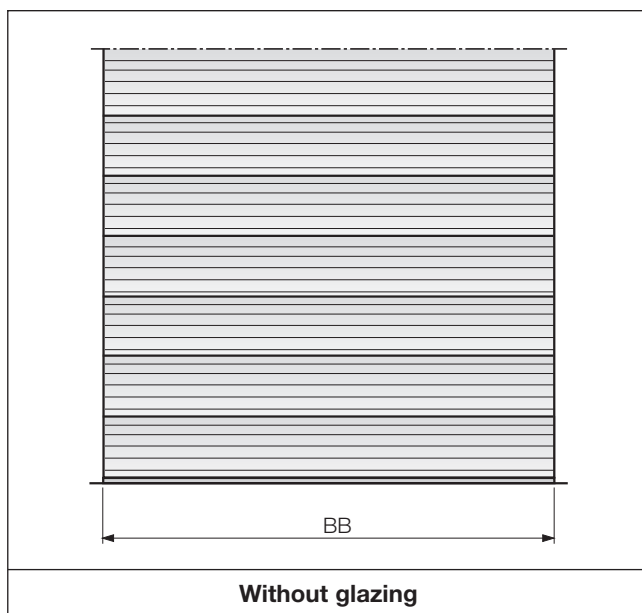
Material: Sheet steel panel 610 mm,
PU foam core, double skinned

Optik: horizontal line pattern with uniform height
or
micro-profiled (without line pattern)

All sections with central seals.

BB: Order dimensions width

FA: Distance between windows



27. SW 80 sectional door

SW 80	Fitting types										Number of sections
	N	ND	HL	HLD	HLDU	NSH	NSD	VL	VLU	VLU	
8000											14
7750	Other sizes available on request										13
7500											13
7250											12
7000											12
6750											12
6500											11
6250											11
6000											10
5750											10
5500											9
5250											9
5000											9
4750											8
4500											8
4250											7
4125											7
4000											7
3875											7
3750											7
3625											6
3500											6
3375											6
3250											6
3125											6
3000											5
2875											5
2750											5
2625											5
2500											5
2375											4
2250											4
2125											4
2000											4
1875											3
Max. door weight NSH + NSD = 300 kg 23 m³											
610 sections											

SW 80	Width of sectional door ->							
	2	3	4	5	6	7	8	9
8000								
7750								
7500								
7250								
7000								
6750								
6500								
6250								
6000								
5750								
5500								
5250								
5000								
4750								
4500								
4250								
4125								
4000								
3875								
3750								
3625								
3500								
3375								
3250								
3125								
3000								
2875								
2750								
2625								
2500								
2375								
2250								
2125								
2000								
1875								

Number of glazing sections per SW section

28. SLW sectional door

SLW door leaf

Plinth heights: 625 mm, 1250 mm
 Plinth version: Sheet steel panel, PU foam core,
 double skinned, 40 mm
 Other sections above the plinth:
 Anodized aluminium tubular profiles.

Plinth design: stucco design outside, horizontally ribbed
 with uniform height
 or
 ribbed/unribbed micro-profiled

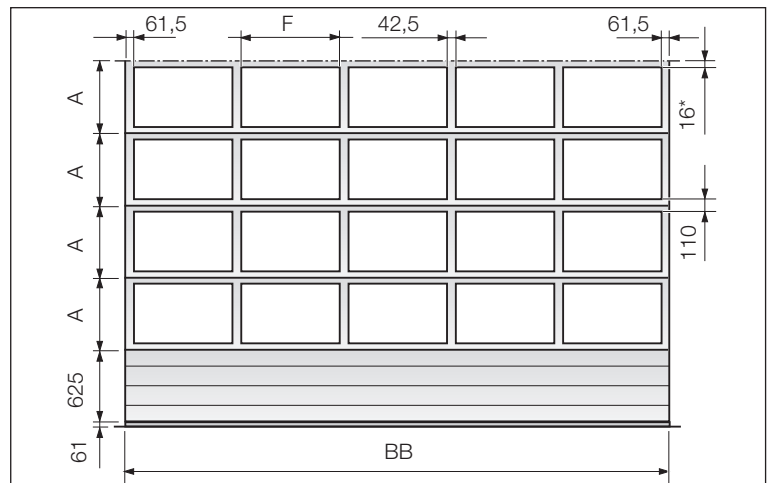
All door components with central seals.
 All door components with finger pinch protection on the
 inside and outside.
 16 mm SAN double glazing filling, clear.

Door leaf exterior Plinth height 625

A Adapted to door height
 AF: Number of fillings per glazing section
 BB: Order dimensions width
 F: Panel width
 SP: Bars

$$SP = (AF - 1)$$

$$F = \frac{(BB - (SP \times 42,5) - (2 \times 61,5))}{AF}$$



See table on page 41 for number of panels (F) per door.

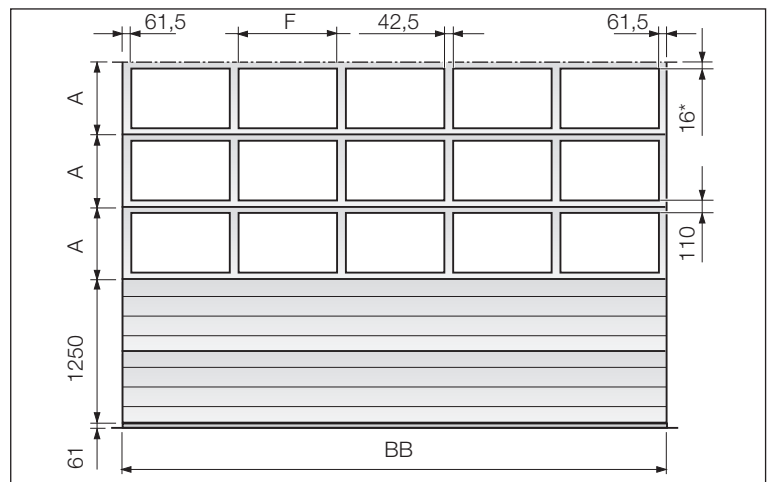
* Door widths above 5000 mm = 47 mm

Door leaf exterior Plinth height 1250

A Adapted to door height
 AF: Number of fillings per glazing section
 BB: Order dimensions width
 F: Panel width
 SP: Bars

$$SP = (AF - 1)$$

$$F = \frac{(BB - (SP \times 42,5) - (2 \times 61,5))}{AF}$$



See table on page 41 for number of panels (F) per door.

* Door widths above 5000 mm = 47 mm

28. SLW sectional door

SLW door leaf with wicket

Plinth heights: 625 mm, 1250 mm
 Plinth version: Sheet steel panel, PU foam core, double skinned, 40 mm
 Other sections above the plinth: Anodized aluminium tubular profiles

Plinth design: stucco design outside, horizontally ribbed with uniform height
 or
 ribbed/unribbed micro-profiled

All door components with central seals.

All door components with finger pinch protection on the inside and outside.

16 mm SAN double glazing filling, clear.

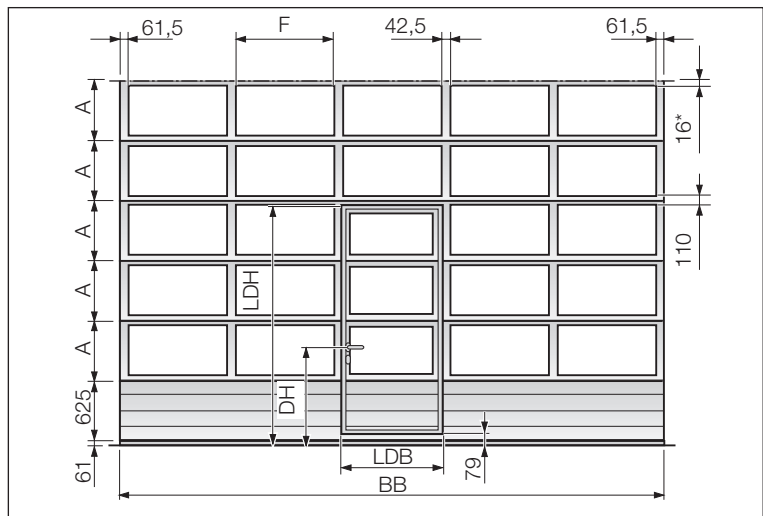
Door leaf exterior with wicket door Plinth height 625

A Adapted to door height
 AF: Number of fillings per glazing section
 BB: Order dimensions width
 DH: Handle height
 (value depends on the system panel height, approx. 1035 mm)
 F: Panel width
 LDB: Clear passage door width
 LDH: Clear passage door height (on request)
 SP: Bars

$$SP = (AF - 1)$$

$$F = \frac{(BB - (SP \times 42.5) - (2 \times 61.5))}{AF}$$

$$LDB = F - 170 \text{ mm}$$



See table on page 41 for number of panels (F) per door.

* Door widths above 5000 mm = 47 mm

Wicket door > 4500 mm

Threshold = 200 mm

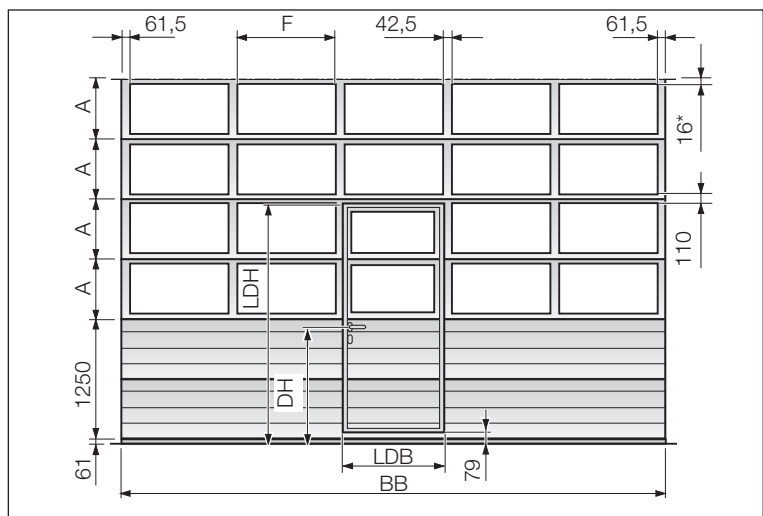
Door leaf exterior with wicket door Plinth height 1250

A Adapted to door height
 AF: Number of fillings per glazing section
 BB: Order dimensions width
 DH: Handle height
 (value depends on the system panel height, approx. 1035 mm)
 F: Panel width
 LDB: Clear passage door width
 LDH: Clear passage door height (on request)
 SP: Bars

$$SP = (AF - 1)$$

$$F = \frac{(BB - (SP \times 42.5) - (2 \times 61.5))}{AF}$$

$$LDB = F - 170 \text{ mm}$$



See table on page 41 for number of panels (F) per door.

* Door widths above 5000 mm = 47 mm

29. SL sectional door

SL door leaf

Material: Anodized aluminium tubular profiles
 Installation depth: 40 mm
 Floor section design: 16 mm aluminium sandwich boards, Aluminium/stucco design on both sides, E6/EV1

Design of other sections: Panel of 16 mm SAN double glazing, clear

All door components with central seals.

All door components with finger pinch protection on the inside and outside.

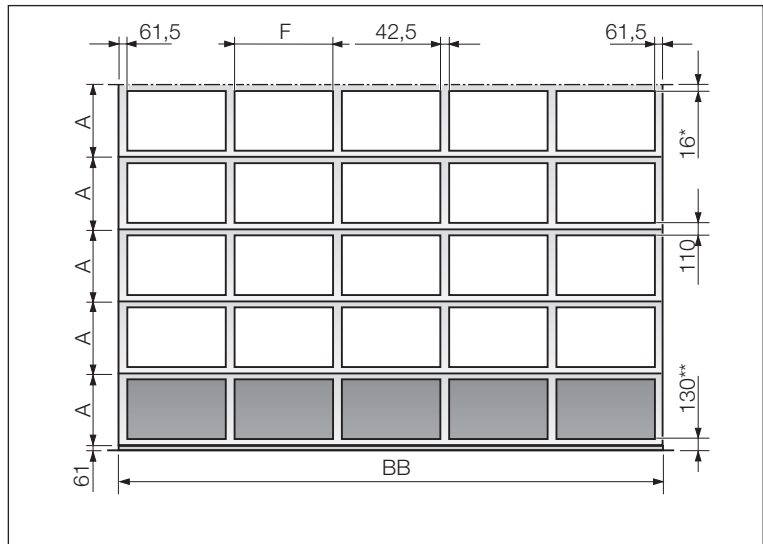
Door leaf exterior

A Adapted to door height
 AF: Number of fillings per glazing section
 BB: Order dimensions width
 F: Panel width
 SP: Bars

$$SP = (AF - 1)$$

$$F = \frac{(BB - (SP \times 42.5) - (2 \times 61.5))}{AF}$$

$$LDB = F - 170 \text{ mm}$$



See table on page 44 for number of panels (F) per door.

* Door widths above 5000 mm = 47 mm

** Door widths above 5000 mm = 193 mm

29. SL sectional door

SL door leaf with wicket door

Material: Anodized aluminium tubular profiles
 Installation depth: 40 mm
 Floor section design: 16 mm aluminium sandwich boards, Aluminium/stucco design on both sides, E6/EV1

All door components with central seals.
 All door components with finger pinch protection on the inside and outside.

Design of other sections: Panel of 16 mm SAN double glazing, clear

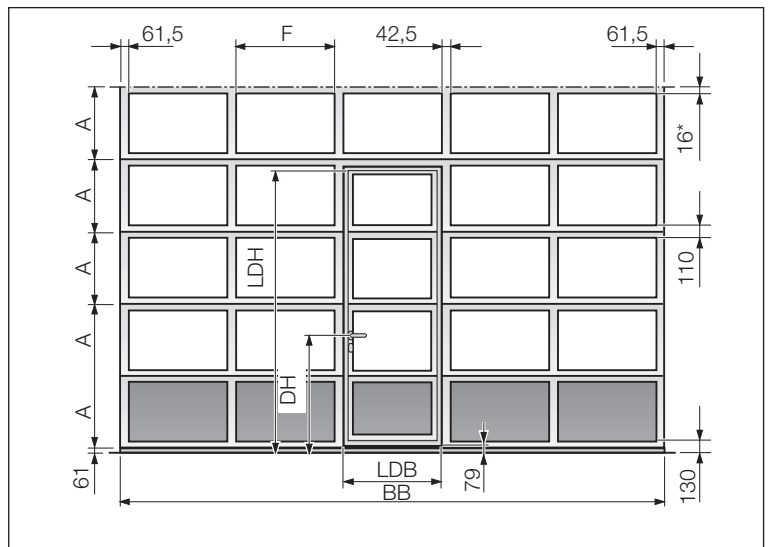
Door leaf exterior with wicket door

A: Adapted to door height
 AF: Number of fillings per glazing section
 BB: Order dimensions width
 DH: Handle height (value depends on the system panel height, approx. 1035 mm)
 F: Panel width
 LDB: Clear passage door width
 LDH: Clear passage door height (on request)

$$SP = (AF - 1)$$

$$F = \frac{(BB - (SP \times 42,5) - (2 \times 61,5))}{AF}$$

$$LDB = F - 170 \text{ mm}$$



See table on page 44 for number of panels (F) per door.

* Door widths above 5000 mm = 47 mm

Wicket door ≤ 4500 mm

Threshold = 85 mm

Wicket door > 4500 mm

Threshold = 200 mm



Subject to technical modifications
0,5/04/10 (GB) 121.665