



Sectional door SL 40

Aluminium frame construction, bottom section infilled with 20 mm aluminium sandwich panels optionally with wicket door

Text example:

Sectional door as aluminium frame construction, surface anodised in E6/EV1, infilled with 20mm KS double panels, colourless. Bottom section infilled with aluminium sandwich plates, stucco design. Building depth 40 mm. Sections with centre seal. Header seal, floor seal and centre seal in EPDM-Quality. Screwed hinges made of galvanized steel, lateral roller guide with adjustable ball bearing rollers. Lateral closed profiled angular frame, made of hot-dipped galvanized steel, with screwed rail. Weight compensation with torsion spring shaft with lateral load-bearing cables. "Teckentrup SL 40" or equivalent.

Compile and tender according to requirements. Please refer to technical data below for respective details. Updated 1. April 2018

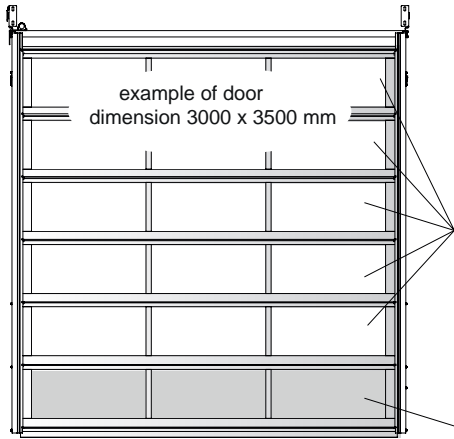
Technical data

Product	Sectional door SL 40		Fitting
Performance data	equivalent with product standard EN 13241-1 ▪ Heat insulation SL 40: - door ¹⁾ without wicket door with double glazing ²⁾ U = 3,3 W/(m ² K) - door ¹⁾ with wicket door with double glazing ²⁾ U = 3,7 W/(m ² K) optional: - door ¹⁾ 6 chamber multi-skin sheet U = 2,6 W/(m ² K) - door ¹⁾ KS triple glazing U = 3,1 W/(m ² K) ¹⁾ With a door size of 25 m ² ²⁾ with double glazing, bottom section with aluminium sandwich plates Resistance to wind load: Classification in acc. with EN 12424, test in acc. EN 12444: - door without / with wicket door Class 2 (max. Pa) Resistance to water penetration: classification in acc. with EN 12425, test in acc. EN 124897: - door without wicket door Class 2/3 ¹ - door with wicket door Class 1/3 ¹ ¹ Can only be achieved with special bottom profiles. Air permeability: (classification in acc. with EN 12426, test in acc. EN 12427): - door without / with wicket door Class 3 Reaction to fire (DIN EN 4102): - Door leaf element material class B2 (normaly inflammable)		<ul style="list-style-type: none"> ▪ N = Normal fitting (in the basic price in the table) ▪ ND = Normal fitting which follows the shape of the roof ▪ HL = High lift guide rail fitting ▪ HLU = High lift guide rail fitting + bottom torsion spring shaft ▪ HLD = High lift guide rail fitting which follows the shape of the roof ▪ HLLD = High lift guide rail fitting with roof incline and bottom torsion spring shaft ▪ NSH = Low headroom fitting with rear spring shaft ▪ NSD = Low headr. fitting which follows the shape of the roof ▪ VL = Vertical fitting ▪ VLU = Vertical fitting with lower torsion spring shaft
Installation	▪ Masonry, Concrete, Steel construction		Required space
Size range	Width: 2000 - 8000 mm; Height: 1875 - 6000 mm (Further dimensions on request)		Lateral stops: for manual operation on both sides min. 110 mm for manual operation (NSH/NSD) min. 120 mm for geared chain min. 185 mm for shaft drive min. 210 mm for chain drive min. 150 mm Headroom: N-fitting 400 - 500 mm ND-fitting 470 - 550 mm NSH/NSD-fitting min. 270 mm NSH/NSD-fitting with wicket door min. 300 mm HL(U/D) -fittings notice headroom VL(U) -fittings door height x 2 + 500 mm
Door leaf	<ul style="list-style-type: none"> ▪ Door leaf: Frame construction made of aluminium profiles, cold profile without thermal separation AL-MG-SI 0,5, surface anodised in E6/EV1, standardly infilled with 20 mm KS-double glazing colourless, retaining ledge KS-black with seal. Other infills with triple glazing, 6 chamber multi-skin sheet, etc. ▪ Seals: Floor-, header- and centre seal in EPDM-Quality. ▪ Door leaf fittings: Screwed hinges, galvanized steel (linked the single sections) lateral roller guide with adjustable ball bearing rollers. 		Drives
Frame	▪ Lateral closed, profiled angular frame, hot-dipped galvanized steel, with screwed guide rail. Lateral rubbing stripe with sealing lip.		<ul style="list-style-type: none"> ▪ Shaft drive, chain drive, three-phase voltage 400V 3~Ph, 50 Hz, 60% ED, protection class IP 65, with emergency hand crank, TÜV approved ▪ Shaft drive with alternating voltage 230 Volt 1~Ph, 50 Hz, 60% ED, protection cl. IP 65, with emergency hand crank, TÜV approved, combined with a frequency converter control with "soft"-start and "soft" stop ▪ Direct drive as springless door without weight compensation, three-phase voltage 400V 3~Ph, 50Hz, 60% ED, protection class IP 65, with emergency hand crank, TÜV approved, safety device integrated
Manual operation	<ul style="list-style-type: none"> ▪ Handle inside including rope ▪ Handle inside / footboard outside including rope ▪ Manual chain hoist 		Control
Weight compensation	▪ Torsion springs with lateral load-bearing cables galvanized and shot blasted.		<ul style="list-style-type: none"> ▪ For shaft and chain drives, ready to plug pre-wired and with CEE-plug. In the basic usage noticed as deadman-control. Function without closing edge safety device, control voltage 24V safety extra low voltage, protection class IP 65, push buttons open-stop-close. ▪ Pulse control (automatic mode "close") in connection with closing edge safety device ▪ Radio remote control ▪ Automatic closing in combination with traffic lights ▪ Traffic control
Locking	<ul style="list-style-type: none"> ▪ Locking mechanism can be operated from the outside and inside via a profile cylinder (30,5 mm) including rope, with handle / footboard (integrated in the section) ▪ Sliding bolt (on one side) including rope, incl. on the inside Additional locking of electrically operated doors. ▪ From the inside with electrically operated sliding bolts (night-time locking) 		Wicket door
			Installation of door width 2501 – 6000 mm ▪ Overhead door closer with slide without locking unit ▪ Mortice lock, prepared for PC (30.5/30.5) ▪ Lever/Lever made of aluminium (F1) ▪ Profile edging made of aluminium E6/EV1 ▪ Further locks, sets, coatings, etc. -optionally
			Special-equipment
			Casing, fixed panels matching door, side door N53 with upper casing, stop rail, ventilation grille, special RAL-colours

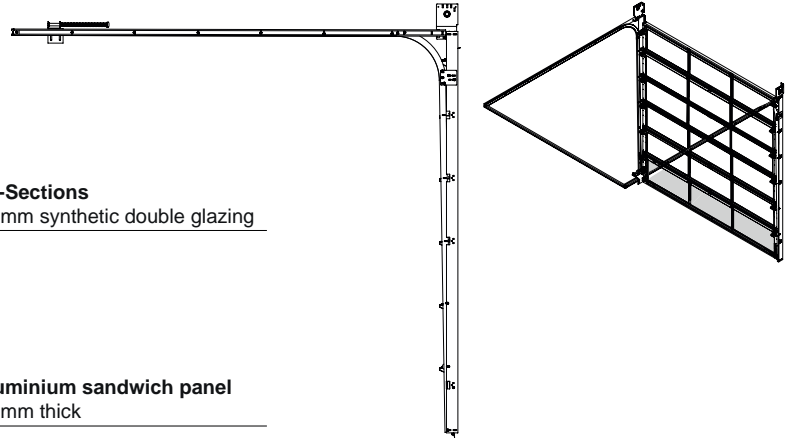
Sectional door
SL 40

Aluminium frame construction, bottom section infilled with 20 mm aluminium sandwich panels optionally with wicket door

SL 40 (exterior view)



normal-fitting **N**



Example of infills:
various glazing and grille types for
SW 40, SLW 40 and SL 40

Frame profile with
double glazing 20 mm



Frame profile with
triple glazing 20 mm



Frame profile with
perforated sheet



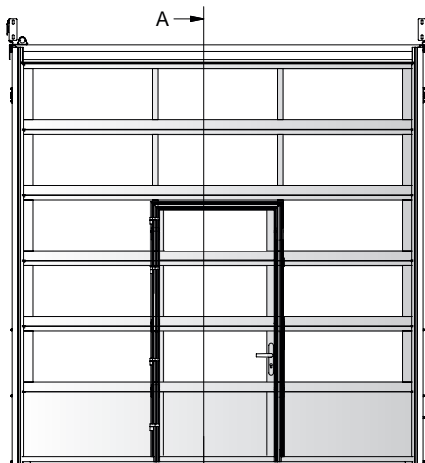
Frame profile with
expanded grille



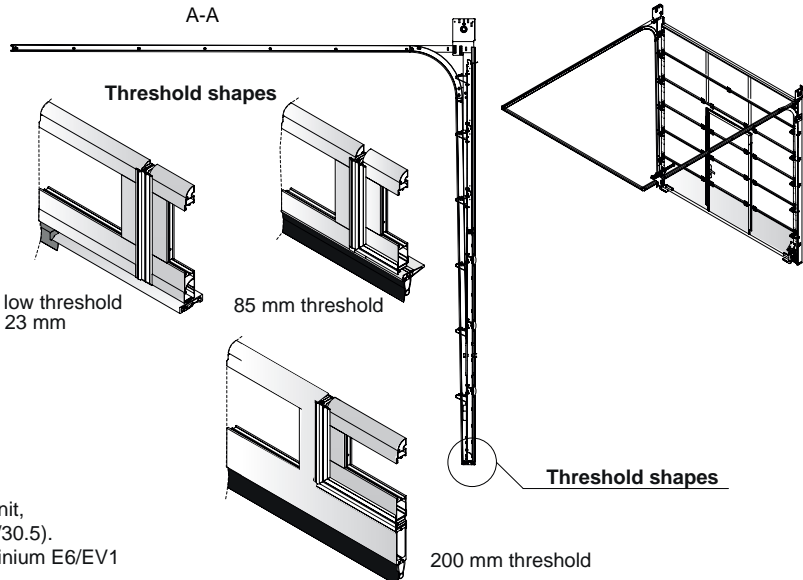
Frame profile with
6 chamber multi-skin sheet



SL 40 with wicket door (optionally)



A-A



Standard equipment for all wicket doors includes:
Overhead door closer with slide rail, without locking unit,
mortise lock- prepared for a profile cylinder (PC=30.5/30.5).
Wicket door opening outwards, frame profiles in aluminium E6/EV1