



High-speed Roller Shutter ThermoTeck Speed

galvanized steel profiles, double-skinned / medium opening speed up to 1500 mm/sec.

Text example:

High-speed Roller shutter, double-skinned, insulated, made of steel profiles, galvanized consoles. Resistance to wind load in accordance with EN 12424 class 2. With header seal and prime coated winding shaft. Make: Teckentrup or equivalent. High-speed Roller Shutter, galvanized steel profiles, double-skinned. drive: Direct mount drive with integrated anti-drop device or chain drive with separate anti-drop device. 400V, 50Hz, 60%ED, degree of protection IP54, with emergency crank handle. control: in the basic version, with frequency converter, soft start and soft stop (application: fast running rollerdoors).. integrated main switch with CEE plug. Installation: behind the opening, on concrete, all fixing material, matching the building structure will be attached.

(Compile and tender according to requirements. Please refer to technical data below for respective details. Updated 1.07.2018)

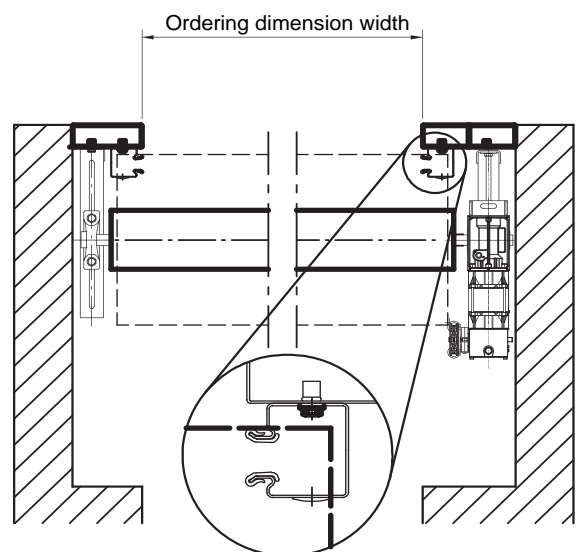
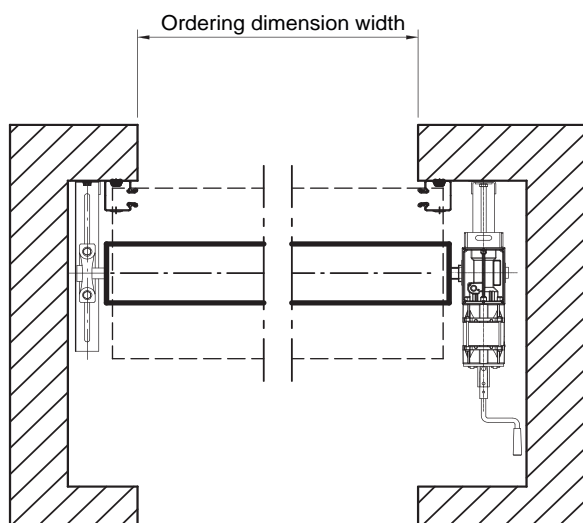
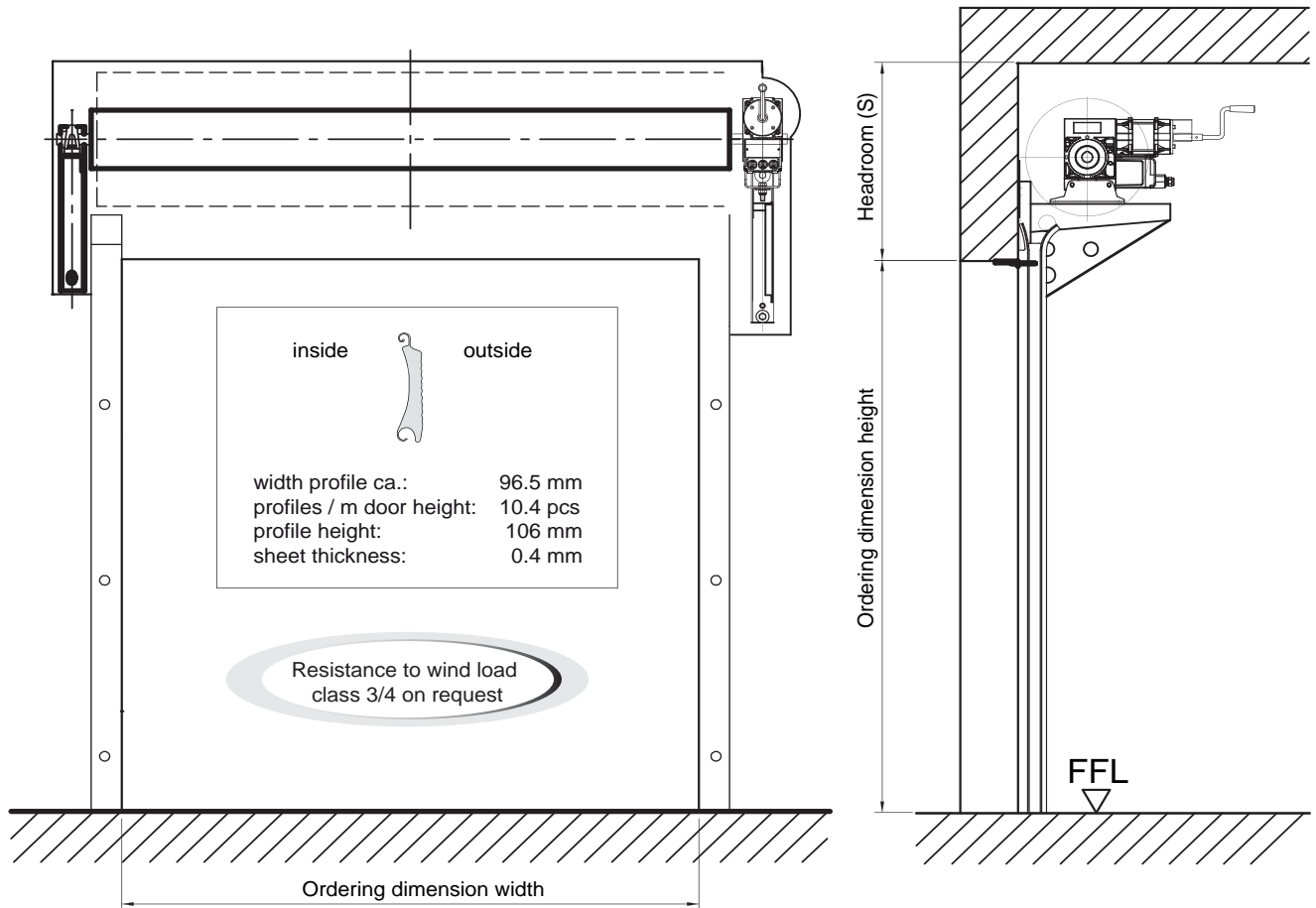
Technical data

product	High-speed Roller shutter (profiles made of galvanized steel, double-skinned). medium opening speed up to 1500 mm/sec. factory-set at 1000 mm/sec. <ul style="list-style-type: none"> ▪ heat insulation U-value tested in acc. with EN ISO 12567-1 (for dim. = 4,000 x 4,000 mm) U W/(m²*K) (complete door): 3,5 W/(m²*K) ▪ sound insulation RW (tested) 20 dB ▪ air permeability classification in acc. with EN 12426 class: 0 ▪ resistance to wind load classification in acc. with EN 12424 class: 2 ▪ resistance to water penetration tested in acc. with EN 12489, classification in acc. with EN 12425 class: 0 ▪ durability test Standardised durability test with 200.000 opening and closing cycles (roller door with drive) 	winding shaft	Prime coated steel tub, with welded-in shafts on both sides for drive, anti-drop or bearing seat.
		header seal	As standard, except for doors with ventilation grilles, louvers or other types of ventilation.
		consoles	Made of galvanized steel. If desired, with sound insulation in acc. with DIN 4109
		drive	Direct mount drive with integrated anti-drop device or chain drive with separate anti-drop device and electric forced disconnection, (three-phase volt.) 400V, 50Hz, 60%ED, degree of protection IP54, with emergency crank handle. Other special voltages, degrees of protection or types of emergency operation on request.
		control	for direct mount drives, mit Frequenzumrichter-Steuerung, Sanft-Anlauf und Sanft-Stopp. Fully wired ready for use an with CEE-plug. <ul style="list-style-type: none"> ▪ radio control optional ▪ accessories for control units: ▪ auto. closing ▪ traffic light control ▪ digital induction loop <ul style="list-style-type: none"> ▪ with self-monitoring light curtain. Safety-low control voltage 24V, IP 65, "close door" and "open door" in self-locking mode with push buttons "open-stop-close".
installation in	walls made of <ul style="list-style-type: none"> ▪ masonry min. 120 mm ▪ concrete min. 150 mm ▪ steel ▪ autoclaved aerated concrete min. 200 mm only with steel frame ▪ wood min. 240 mm 	Special equip- ment	Permanent side part with integrated door. Pivoted side part with integrated door. curtain box made of: <ul style="list-style-type: none"> ▪ galvanized sheet steel ▪ natural aluminium ▪ other versions on request
dimensions	Ordering dimensions width: 2000 - 10000 mm height: 2550 - 9000 mm resistance to wind load class 3 / 4 are available on request!		
door curtain	Door curtain, consisting of hinge-like interconnected galvanized steel.		
profiles	▪ double-skinned steel, 96,5 mm wide		
surface	<ul style="list-style-type: none"> ▪ galvanized steel ▪ coil-coated steel 		
glazing	synthetic glazing, crystal clear approx. 150 mm x 55 mm.		
bottom seal	Double-skinned box profile made of aluminium with permanently elastic and frost-proof EPDM profile hose seal for a sealed bottom door edge.		
end caps	Robust, wear and corrosion-free plastic parts for fixing the profiles.		
wind hooks	For high wind loads and/or large widths the doors are equipped with wind hooks and a reinforced bottom seal.		
guide rails	Robust steel profiles with wear-proof, easy-to-change plastic guides.		



High-speed Roller Shutter ThermoTeck Speed

galvanized steel profiles, double-skinned / medium opening speed up to 1500 mm/sec.



Further documents:

The exact dimensions for the lateral buffers and the header buffer can be found in our Installation data for roller shutters and roller grilles. It contains individually dimensioned assembly drawings for each shutter. Please contact us for exceptional types of handing.