

CARTECK GARAGE DOORS

Sectional door XL up to 6250 mm width

✓ only 120 mm
lintel requirement

✓ All colours
and optics
available





Colour

Our wide range of colours allows you to match the colour of your new garage door to the style of your house: RAL colours of your choice, trend colours, metallic shades or attractive wood decors - no wish remains unfulfilled.



Surface

Design a garage door with character by choosing embossing and surface structure. Choose from different embossings such as smooth, woodgrain or micro-profiling and from different types of ribs or georgian looks.



Glazing

With glazing in the garage door, you provide a clear view and natural daylight. Whether as a harmonious integration or as a deliberate contrast - matched to your facade, windows or doors - glass elements have a significant influence on the overall architectural design.



Advantages of our garage doors

- ✓ Continuous 40 mm thick door leaf
- ✓ Highly stable and thermally insulated
- ✓ Doors up to 3000 mm height, width up to 6250 mm
- ✓ Also with side doors
- ✓ With convenient drive technology
- ✓ Extensive range of accessories (e.g. light barriers)
- ✓ TÜV-tested burglary resistance
- ✓ All surfaces with final coating
- ✓ RAL colours of your choice
- ✓ Current trend colours at a reduced price

Drives and accessories

With an electric garage door drive, the opening and closing of your garage door can be conveniently controlled from your car by using a hand-held transmitter. This is particularly advantageous in unpleasant weather or darkness. The CarTeck garage door drives are „Made in Germany“ and can be used universally for sectional doors as well as for up-and-over doors. With intelligent accessories such as hand-held transmitters, light barriers, LED lighting or moisture sensors, you can equip your new door safely and conveniently.



Smart light solutions

Putting the garage and driveway in the right light: Coordinated exterior and interior lighting provides safety and sets the scene for your home in an atmospheric way. We have the right lighting solutions for this.

LED LIGHT BAR FOR EXTERIOR LIGHTING

Our new outdoor lighting creates effective, pleasant and continuous illumination with 1500 lumens per metre. As the design led light bar is attached to the garage lintel, an upgrade of the garage can be achieved with little effort.

INTERIOR: MAGNETIC LED-STRIPES

6000 lumens of light provide bright illumination of the garage and a safe feeling. Incl. complete wiring, automatic motion detector and infrared receiver as well as remote control.



Exterior lighting with LED light bars



Teckentrup LED stripes for indoor lighting

Torsion spring system

Torsion springs allow larger garage doors and are therefore used as standard on the sectional garage door XL. Torsion springs balance the weight of the sectional garage door XL.



Spring retainer



Inside finger pinch protection

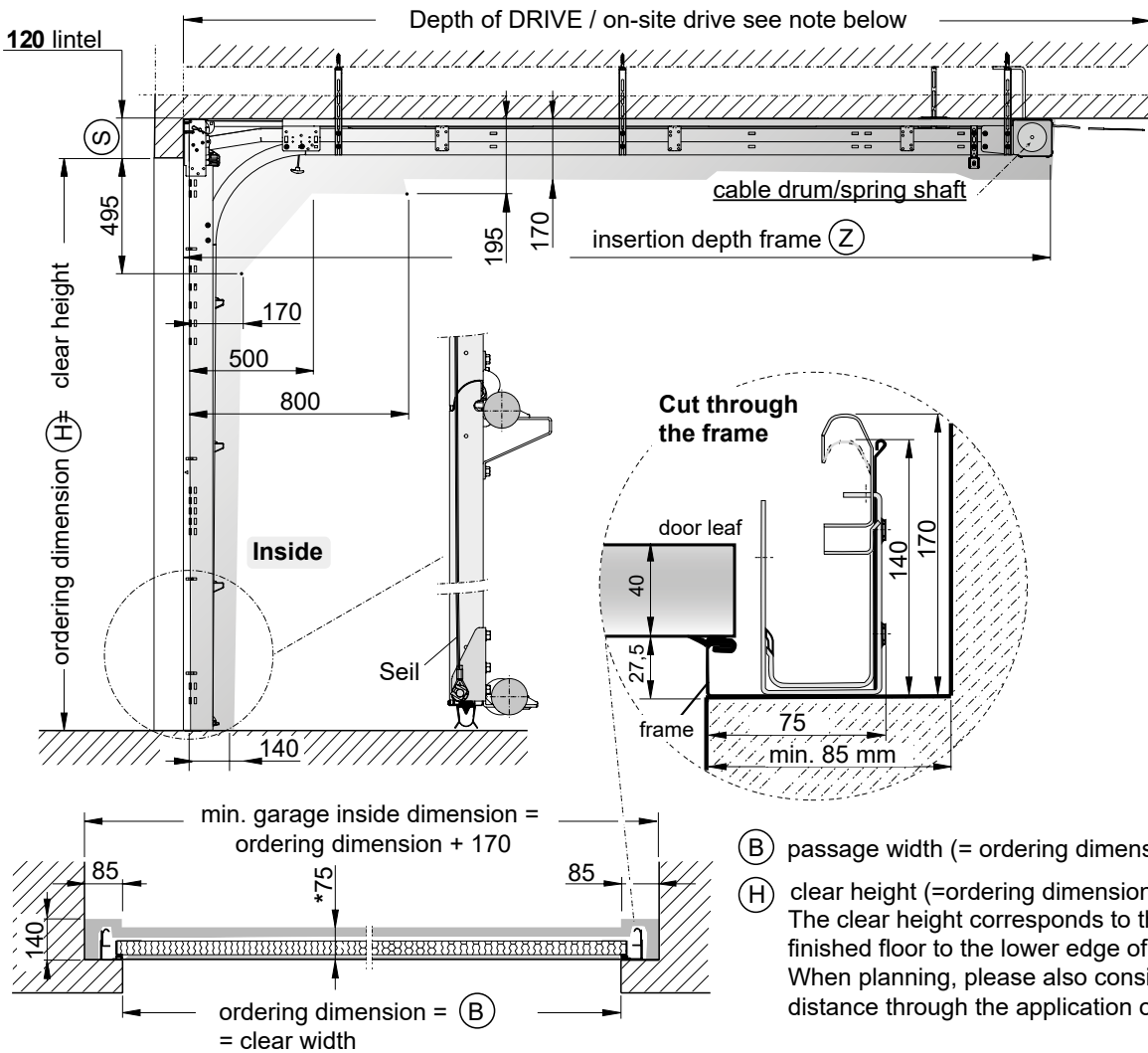


Outside finger pinch protection

Installation data

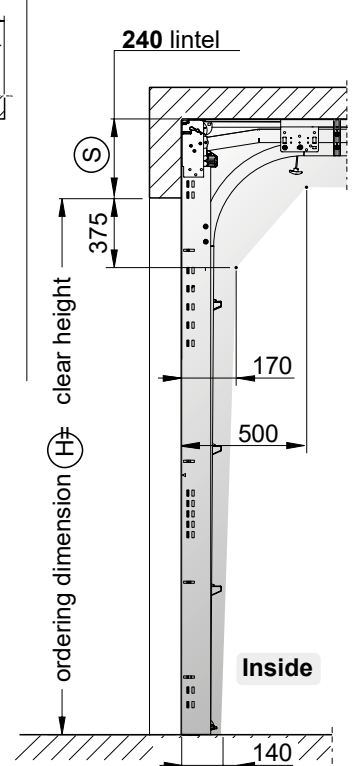
120 mm lintel version

Clear passage height = ordering dimension height - 40 mm



240 mm lintel version

Clear passage completely free



(B) passage width (= ordering dimension)

(H) clear height (=ordering dimension)
The clear height corresponds to the distance from the top edge of the finished floor to the lower edge of the lintel.
When planning, please also consider the reduction of the distance through the application of screed or asphalt.

Sectional garage door XL at a glance

OVERVIEW									
OPTICS	Ribbed and Centre-ribbed				Unribbed				Georgian
SURFACES	woodgrain	stucco	micro-profile	smooth	woodgrain	stucco	micro-profile	smooth	woodgrain
Trend colours	■	■	■	■	■	■	■	■	■
Wood decors	-	-	-	■	-	-	-	■	■
Approx. 200 RAL colours	■	■	■	■	■	■	■	■	■
Glazing variants	7	7	7	7	9	9	9	9	4
Design applications	-	-	-	-	-	-	-	8	-
Burglar resistance	standard				standard				standard
Finger pinch protection	standard				standard				standard
4-sided sealing	standard				standard				standard
Torsion spring system	standard				standard				standard
Corrosion protection	standard				standard				standard
Wicket door	-				-				-
Side door	optional				optional				optional

TECHNICAL EQUIPMENT	
Ordering size width/height in mm (modular dimension)	B 2000 mm - 6250 mm / H 1875 mm - 2500 mm, maximum door dimension is weight-dependent
Installation in	Concrete, masonry, aerated concrete, timber frame
Door leaf	Individual double-walled door sections made of galvanised sheet steel, construction depth of the sections 40 mm, PU-foamed, garage door with 4-sided all-round seal
Door leaf thickness	40 mm
Drive	CarTeck Drive 800/1100 or third-party drives approved by Teckentrup.
Reinforcement profile	Standard
Burglar resistance	TÜV-tested according to ttz directive
Finger pinch protection	Inside and outside according to DIN EN 12604
Smart-Home	Smart integration of the garage door possible via various systems

Further information, configurators and current offers can be found under <https://www.teckentrup.biz/en/garage-doors>



WE ARE HAPPY TO ADVISE YOU!