



Sectional door SLW 80

Bottom Section made of SW 80 steel door panels, other sections made of aluminium frame construction with 43 mm synthetic triple glazing

Text Example:

Sectional door double-skinned, bottom section with PUR foam core. Outside unribbed, microprofiled, inside with stucco design. Colour similar to RAL 9002 (Grey white). Building depth 80 mm. The other sections made of aluminium frame construction in thermally separated construction, surface anodised in E6/EV1, infilled with 43 mm synthetic triple glazing, colourless. Sections with centre seal. Double header- and floor seal in EPDM Quality. Screwed hinges made of vgalvanized steel, lateral roller guide with adjustable ball bearing rollers. Lateral closed profiled angular frame, made of hot-dipped galvanized steel, with screwed rail. Weight compensation with torsion spring shaft with lateral load-bearing cables. "Teckentrup SLW 80" or equivalent.

Compile and tender according to requirements. Please refer to technical data below for respective details. Updated 01.03.2018

Technical data

Product	Sectional door SLW 80
Performance data	<p>Equivalent with product standard EN 13241-1</p> <ul style="list-style-type: none"> ▪ Heat insulation: EN 13241-1, attachment B EN 12428 - Door1) with triple glazing U = 2,1 W/m²K ¹⁾ with a door size of 25 m² ▪ Resistance to wind load: Classification as per EN 12424, Test in acc. EN 12444 Class 3 (max. Pa) ▪ Resistance to water penetration: classification as per EN 12425, test in acc. EN 12489 Class 0 ▪ Air permeability: classification as per EN 12426, test in acc. EN 12427 Class 3 ▪ Reaction to fire (DIN EN 4102): - Door leaf element material Class B2 (normally inflammable) ▪ Sound reduction index acc. to 140-3, acc. to EN717-1 Rw = 25 dB
Installation	▪ Masonry, Concrete, Steel construction
Size Range	Baurichtmaße: Width: 2000 – 6750 mm; height: 1875 – 6000 mm (further dimensions on request)
Door leaf	<ul style="list-style-type: none"> ▪ Door leaf / Bottom section. Consisting of one SW 80 door section, galvanized sheet steel; building depth: 80 mm, Insulation: Polyurethane foam core. ▪ Surface Protection: coil coating, two-layer outside (auf Acrylat-Basis ~ 25 µm), inside one layer (Polyester-based ~ 10 µm). Standard colour similar to RAL 9002 Grey white ▪ Surface: Panels horizontally ribbed outside, stucco textured or microprofiled or unribbed, microprofiled. Inside always stucco textured. ▪ Door leaf / above the bottom section: Glazed strip as separate section made of aluminium profiles in thermally separated construction, surface anodised in E6/EV1, standardly infilled with 43 mm KS-triple glazing colourless, retaining ledge aluminium anodised in E6/EV1 with seal. Optionally: fourfold glazing, scratch-resistant surface, etc. ▪ Seals: Floor-, header- and centre seal in EPDM-Quality. ▪ Door leaf fittings: Screwed hinges, galvanized steel (linked the single sections) lateral roller guide with adjustable ball bearing rollers
Frame	▪ Lateral closed, profiled angular frame, hot-dipped galvanized, with screwed guide rail. Lateral rubbing stripe with sealing lip.
Manuel operation	<ul style="list-style-type: none"> ▪ Handle inside including rope ▪ Manual chain hoist (hand chain)
Weight compensation	▪ Torsion springs with lateral load-bearing cables. galvanized and shot blasted.

Locking	<ul style="list-style-type: none"> ▪ Sliding bolt (on one side) including rope and handle on the inside. Additional locking of electrically operated doors. ▪ From the inside with electrically operated sliding bolts (night-time locking) 																								
Fittings	<ul style="list-style-type: none"> ▪ N: Normal fitting (in the basic price in the table) ▪ ND: Normal fitting which follows the shape of the roof ▪ HL: High lift guide rail fitting ▪ HLU: High lift guide rail fitting + bottom torsion spring shaft ▪ HLD: High lift guide rail fitting which follows the shape of the roof ▪ HLOUD: High lift guide rail fitting with roof incline and bottom torsion spring shaft and bottom torsion spring shaft. ▪ NSH: Low headroom fitting with rear spring shaft ▪ NSD: Low headr. fitting which follows the shape of the roof ▪ VL: Vertical fitting ▪ VLU: Vertical fitting with lower torsion spring shaft 																								
Required space	<table border="0"> <tr> <td>lateral stops:</td> <td></td> </tr> <tr> <td>for manual operation on both sides</td> <td>mind. 110 mm</td> </tr> <tr> <td>for manual operation (NSH/NSD)</td> <td>mind. 120 mm</td> </tr> <tr> <td>for geared chain</td> <td>mind. 185 mm</td> </tr> <tr> <td>for shaft drive</td> <td>mind. 210 mm</td> </tr> <tr> <td>for chain drive</td> <td>mind. 150 mm</td> </tr> <tr> <td>Headroom:</td> <td></td> </tr> <tr> <td>N-fitting</td> <td>400 - 500 mm</td> </tr> <tr> <td>ND-fittings</td> <td>470 - 550 mm</td> </tr> <tr> <td>NSH/NSD-fitting</td> <td>mind. 310 mm</td> </tr> <tr> <td>HL(U/D)-fittings</td> <td>notice headroom</td> </tr> <tr> <td>VL(U)-fittings</td> <td>door height x 2 + 500 mm</td> </tr> </table>	lateral stops:		for manual operation on both sides	mind. 110 mm	for manual operation (NSH/NSD)	mind. 120 mm	for geared chain	mind. 185 mm	for shaft drive	mind. 210 mm	for chain drive	mind. 150 mm	Headroom:		N-fitting	400 - 500 mm	ND-fittings	470 - 550 mm	NSH/NSD-fitting	mind. 310 mm	HL(U/D)-fittings	notice headroom	VL(U)-fittings	door height x 2 + 500 mm
lateral stops:																									
for manual operation on both sides	mind. 110 mm																								
for manual operation (NSH/NSD)	mind. 120 mm																								
for geared chain	mind. 185 mm																								
for shaft drive	mind. 210 mm																								
for chain drive	mind. 150 mm																								
Headroom:																									
N-fitting	400 - 500 mm																								
ND-fittings	470 - 550 mm																								
NSH/NSD-fitting	mind. 310 mm																								
HL(U/D)-fittings	notice headroom																								
VL(U)-fittings	door height x 2 + 500 mm																								
Drives	<ul style="list-style-type: none"> ▪ Shaft drive, chain drive, three-phase voltage 400V, 3~Ph, 50 Hz, 60% ED, protection class IP 65, with emergency hand crank, TÜV approved ▪ Shaft drive with alternating voltage 230 Volt 1~Ph, 50 Hz, 60% ED, protection cl. IP 65, with emergency hand crank, TÜV approved, combined with a frequency converter with "soft"-start and "soft" stop. ▪ Direct drive as springless door without weight compensation, three-phase voltage 400 Volt 3~Ph, 50 Hz, 60% ED, protection class IP 65, with emergency hand crank, TÜV approved, safety device integrated. 																								
Control	<ul style="list-style-type: none"> ▪ For shaft and chain drives, ready to plug pre-wired and with CEE-plug. In the basic usage noticed as deadman-control. Function without closing edge safety control voltage 24V safety extra low voltage, protection class IP 65, push buttons open-stop-close. ▪ Pulse control (automatic mode „close“) in connection with closing edge safety device ▪ Radio remote control ▪ Automatic closing in combination with traffic lights ▪ Traffic control 																								
Special-equipment	Casing, fixed panels matching door, stop rail; ventilation grille; special RAL colours.																								



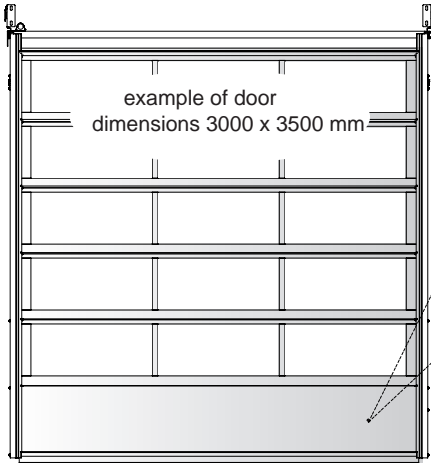
Sectional door SLW 80

Bottom Section made of SW 80 steel door panels, other sections made of aluminium frame construction with 43 mm synthetic triple glazing

SLW 80 (exterior view)

Bottom section 610 mm

normal-fitting **N**



Surface texture

microprofiled



stucco design



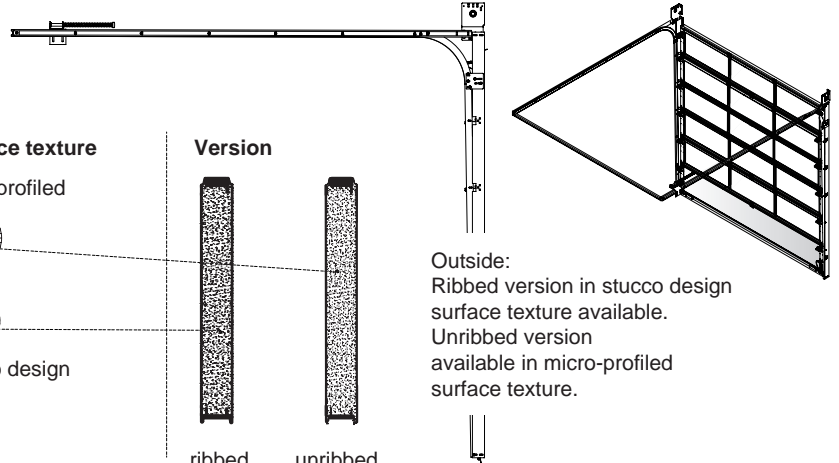
Version



ribbed

unribbed

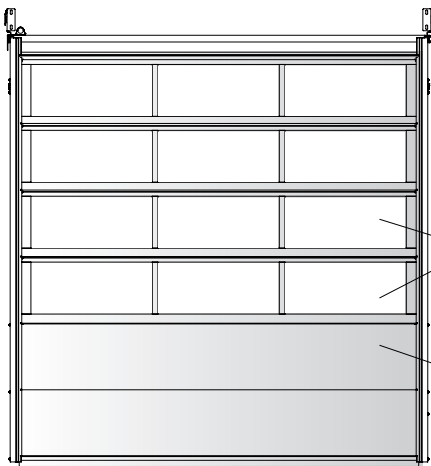
Outside:
Ribbed version in stucco design surface texture available.
Unribbed version available in micro-profiled surface texture.



SLW 80 (exterior view)

Bottom section 1220 mm

normal-fitting **N**



SL sections
43 mm synthetic triple glazing

