



Sectional door SW 80

Steel door panels double skinned

Text example:

Sectional door, double skinned, PUR foam core, in thermally separated construction. Building depth 80 mm. Outside unribbed, microprofiled, inner side stucco design. Colour similar RAL 9002 (Grey white). Sections with centre seal. Double upper header and floor seal. Seals in EPDM-Quality. Screwed hinges made of galvanised steel, lateral roller guide with adjustable ball bearing rollers. Lateral closed profiled angular frame, made of hot-dipped galvanised steel, with screwed rail. Weight compensation with torsion spring shaft with lateral load-bearing cables. "Teckentrup SW 80" or equivalent. Compile and tender according to requirements.

Please refer to Technical Data below for respective details. Updated 01.03.2018

Technical Data

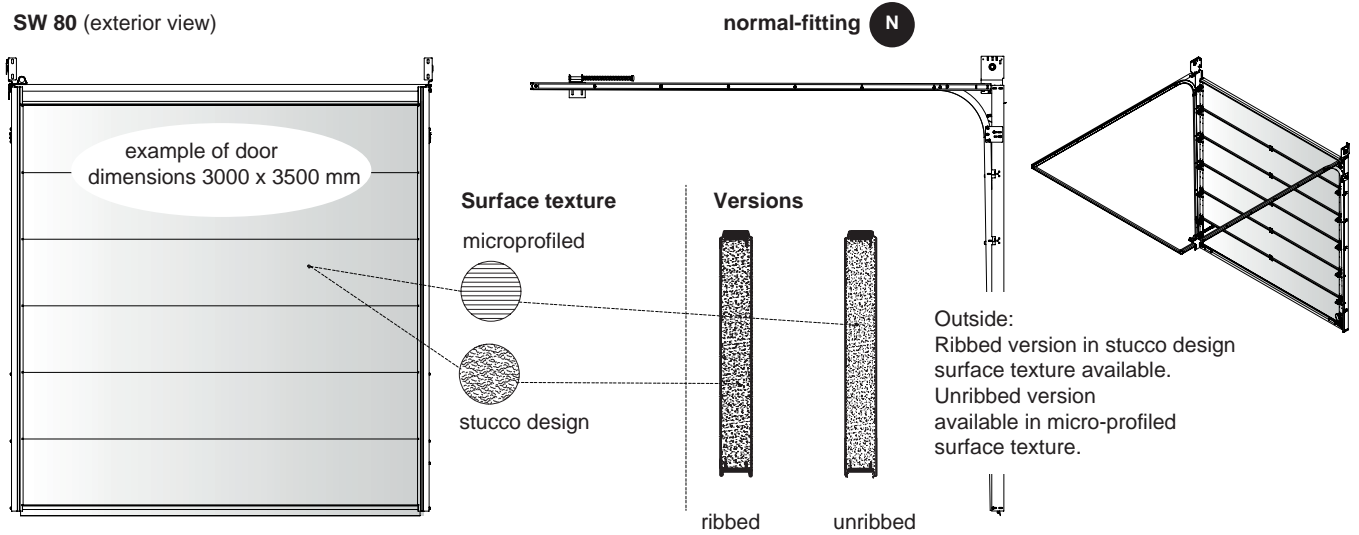
Product	Sectional door SW 80	Locking:	<ul style="list-style-type: none"> Sliding bolt (on one side) including rope, incl. on the inside additional locking of electrically operated doors From the inside with electrically operated sliding bolts (night-time locking)
Performance data:	Equivalent with product standard EN 13241-1 <ul style="list-style-type: none"> Heat insulation: EN 13241-1, attachment B EN 12428: - Paneel 80 mm $U = 0,27 \text{ W/(m}^2\text{K)}$ - (complete door¹⁾ without wicket door) $U = 0,59 \text{ W/(m}^2\text{K)}$ ¹⁾ With a door size of 25 m² Resistance to wind load: Classification in acc. with EN 12424, test in acc. EN 12444: - complete door Class 2 (max. 450 Pa) - Class 3 (max. 700 Pa) (up to a 8.000 mm door width optionally) Resistance to water penetration: Classification in acc. with EN 12425, Test in acc. EN 12489: - complete door Class 3 Air permeability: Classification in acc. with EN 12426, Test in acc. EN 12427: Class 3 Reaction to fire (DIN EN 4102): - Door leaf element material B2 - (normally inflammable) Sound reduction index acc. to ISO 140-3, acc. to EN717-1 $R_w = 23 \text{ dB}$ 	Weight Compensation	<ul style="list-style-type: none"> Torsion springs with lateral load-bearing cables, galvanised and shot blasted.
Installation	<ul style="list-style-type: none"> Masonry, Concrete, Steel construction 	Fittings	<ul style="list-style-type: none"> N = Normal fitting (in the basic price in the table) ND = Normal fitting which follows the shape of the roof HL = High lift guide rail fitting HLU = High l. guide rail fitting with bottom torsion spring shaft HLD = High lift guide rail fitting which follows the shape of the roof HLUD = High lift guide rail fitting with roof incline and bottom torsion spring shaft NSH = Low headroom fitting with rear spring shaft NSD = Low headr. fitting which follows the shape of the roof VL = Vertical fitting VLU = Vertical fitting with lower torsion spring shaft
Size range	Modular dimension: Width: 2000 – 8000 mm; Height: 1875 – 6000 mm (Further dimensions on request)	Required space	Lateral stops: for manual operation on both sides mind. 110 mm for manual operation (NSH/NSD) mind. 120 mm for geared chain mind. 185 mm for shaft drive mind. 210 mm for chain drive mind. 150 mm Headroom: N-fittings 400 - 500 mm ND-fittings 470 - 550 mm NSH/NSD-fittings mind. 310 mm HL(U/D)-fittings notice headroom VL(U)-fittings door height x 2 + 500 mm
Door leaf	<ul style="list-style-type: none"> Door leaf thermal divided Consisting of individual door sections, galvanised sheet steel; Building depth: 80 mm Isolaten: Polyurethane foam core Surface Protection: Coil coating, two-layer outside (Acrylat-Basis ~ 25 µm), with strippable protective film; inner side one layer (Polyesterbasis ~ 10 µm). Standard colour similar to RAL 9002 grey white. Seals: Floor- and header seals as double seal, panel with centre seal. All seals in EPDM-Quality. Door leaf fittings: Screwed hinges, galvanised steel (linked the single sections) lateral roller guide with adjustable ball bearing rollers. Glazing (optionally) Glazed strip as separate section made of aluminium profiles with thermal separation, surface anodised in E6/EV1, standarty in filled with 43 mm KS triple glazing colourless, retaining ledge aluminium anodized in E6/EV1 with seal. Other infills with scratch-resistant glazing, etc. Sandwich composite window filled with KS double glazing colourless, profile edging synthetic black. 	Drives	<ul style="list-style-type: none"> Shaft mount drive, chain drive, three-phase voltage 400 Volt, 3~Ph 50 Hz, 60% ED, protection class IP 65, with emergency hand crank, TÜV approved. Shaft drive with alternating voltage 230 Volt 1~Ph, 50 Hz, 60% ED, protection cl IP 65, with emergency hand crank, TÜV approved, combined with a frequency converter control with „soft“-start and „soft“-stop. Direct drive as springless door without weight compensation, three-phase voltage 400V, 3~Ph, 50 Hz, 60% ED, protection cl. IP 65, with emergency hand crank, TÜV approved, safety device integrated.
Frame	Lateral closed, profiled angular frame, hot-dipped galvanised steel, with screwed guide rail. Lateral rubbing stripe with sealing lip.	Control	<ul style="list-style-type: none"> For shaft drive and chain drives, ready to plug pre-wired and with CEE-plug. In the basic usage noticed as deadman-control. Function without closing edge safety device, control voltage 24 V safety extra low voltage, protection class IP 65, push buttons open-stop-close. Pulse control (automatic mode „close“) in connection with closing edge safety device Radio remote control Automatic closing in combination with traffic lights Traffic control
Manual operation	<ul style="list-style-type: none"> Handle inside including rope Handkettenzug (geared chain) 	Special-equipment	Casing, fixed panels matching door, stop rail; special RAL-colours



Sectional door SW 80

Steel door panels double skinned

SW 80 (exterior view)



SW 80 with glazing (optionally)

