



Roller shutter ThermoTeck

Galvanized steel profiles, double-skinned

Text example:

Roller shutter, double-skinned, insulated, made of steel profiles, galvanized consoles. Resistance to wind load in accordance with EN 12424 class 2. With header seal and prime coated winding shaft. Roller shutter Thermo Teck, steel, double-skinned. Drive: Direct mount drive 400 V (three-phase voltage), IP54, emergency crank handle, intergr. Anti-drop device, TÜV tested, maintenance-free, 60% ED. Control: Basic version, control voltage 24 V (safety low volt.), degree of protection IP65, "close door" in deadman mode (permanent pressure), with push buttons "open-stop-close", fully wired ready for use and with CEE plug. Installation: Behind the opening, on concrete, all fastening elements, suitable for structure material, are supplied.

(Compile and tender according to requirements. Please refer to technical data below for respective details. Updated 1. July 2017.)

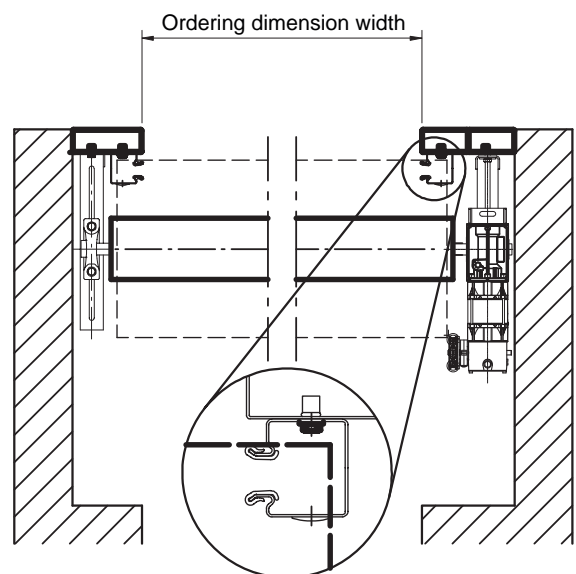
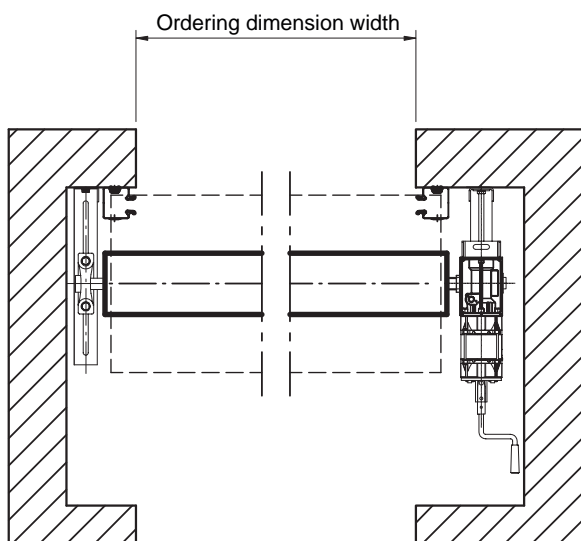
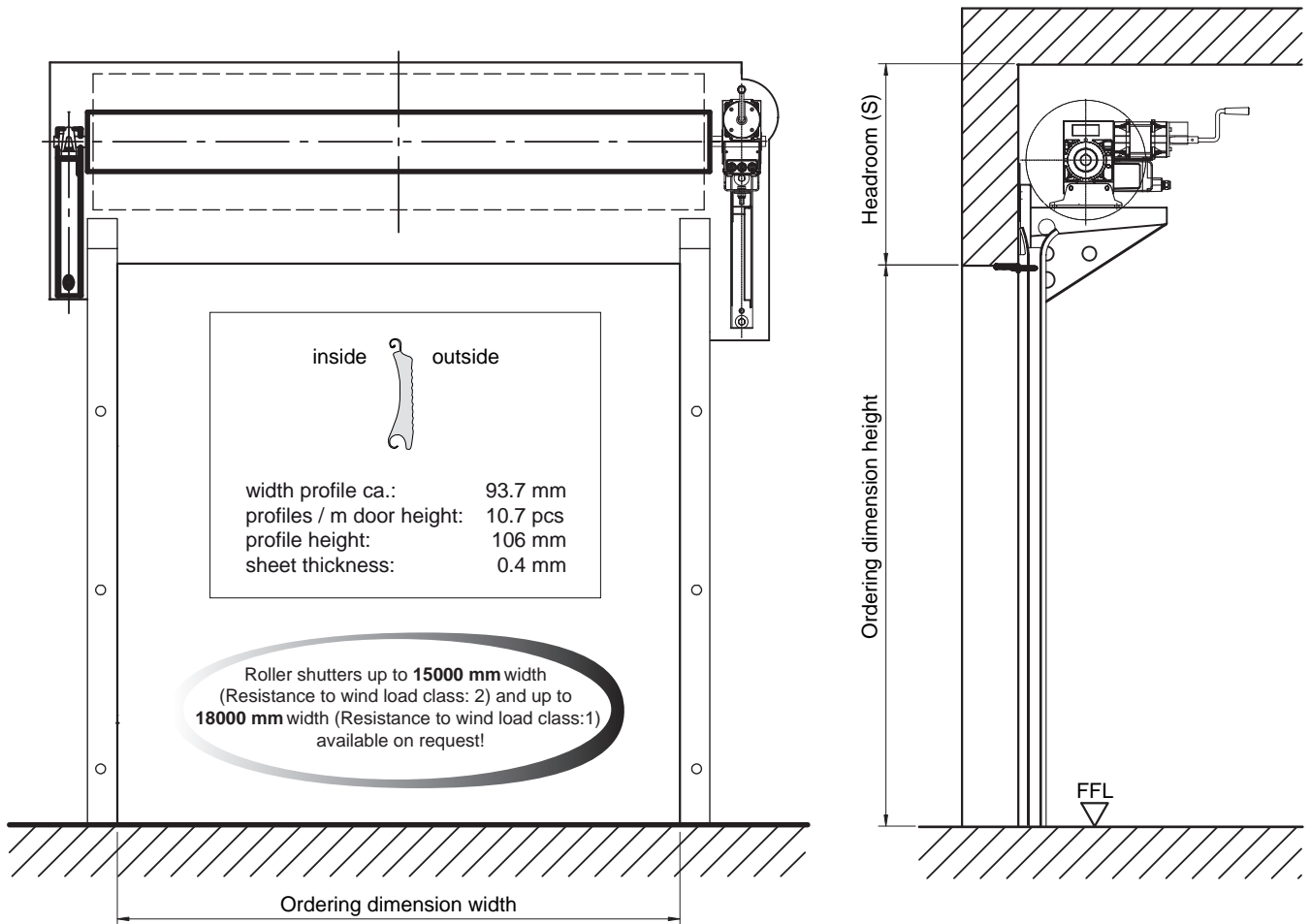
Technical Data

Product	Profiles made of galvanized steel, double-skinned <ul style="list-style-type: none"> ▪ Heat insulation U-value tested in acc. with EN ISO 12567-1 (for dim. = 4000 x 4000 mm) U W/(m²•K) (complete door): 3,5 W/(m²•K) ▪ Sound insulation RW (tested) 20 dB ▪ Air permeability classification in acc. with EN 12426 class: 0 ▪ Resistance to wind load (R_{wtl}.) classification in acc. with EN 12424 class: 2 ▪ Resistance to water penetration tested in acc. with EN 12489, classification in acc. with EN 12425 class: 0 	Locking	All locks connected to door control unit via safety switches. <ul style="list-style-type: none"> ▪ Bottom profile lockable from inside via two locking rods with profile cylinder ▪ Bottom profile lockable from inside and outside via two locking rods with profile cylinder ▪ Sliding bolt on the inside ▪ Other types of locking mechanism on request
Installation in	Walls made of <ul style="list-style-type: none"> ▪ masonry min. 120 mm ▪ concrete min. 150 mm ▪ steel ▪ autoclaved aerated concrete min. 200 mm (only with steel frame) ▪ wood min. 240 mm 	Drive	Direct mount drive with integrated anti-drop device Or chain drive with separate anti-drop device and electric forced disconnection, (three-phase volt.) 400V, 50Hz, 60%ED, degree of protection IP54, with emergency crank handle (TÜV tested and maintenance-free). Other special voltages, degrees of protection, or types of emergency operation available on request.
Dimensions	Ordering dimensions width: 1000 - 11500 mm height: 1000 - 12000 mm roller shutters up to 15.000 mm width (wind load class: 2) and up to 18.000 mm width (wind load class: 1) available on request!	Control	For direct mount and chain drives, fully wired ready for use and with CEE plug. Basic version can be locked and used as a deadman control, can be easily retrofitted with: <ul style="list-style-type: none"> ▪ Self-locking "CLOSE" in con. with safety edge device. ▪ Radio control Accessories for control units: <ul style="list-style-type: none"> ▪ Auto. closing (with traffic lights) (Zusätzliche Lichtschranken im Bereich des Torlaufs empfohlen). ▪ Traffic light control ▪ digital induction loop without safety edge mechanism: Basic version 24V control voltage (safety low volt.) degree of protect. IP65, "close door" in deadman mode (permanent pressure), push buttons "open-stop-close". With safety edge mechanism: <ul style="list-style-type: none"> ▪ With self-monitoring, electro-mechanical safety edge mechanism, safety-low voltage 24V, IP 65, "close door" and "open door" in self-locking mode with push buttons "open-stop-close".
Door curtain	Door curtain, consisting of hinge-like interconnected galvanized steel.	Special equip-ment	Permanent side part with integrated door. pivoted side part with integrated door.
Profiles	▪ double-skinned steel, 93.7 mm wide		
Surface	▪ galvanized steel ▪ coil-coated steel		
Glazing	ThermoTeck synthetic glazing, crystal clear approx. 150 mm x 55 mm		
Bottom seal	Double-skinned box profile made of aluminium with permanently elastic and frost-proof EPDM profile hose seal for a sealed bottom door edge.		
End caps	Robust, wear and corrosion-free plastic parts for fixing the profiles.		
Wind hooks	For high wind loads and/or large widths the doors are equipped with wind hooks and a reinforced bottom seal.		
Guide rails	Robust, steel profiles with wear-proof, easy-to-change plastic guides.		
Winding shaft	Prime coated steel tube with welded-in shafts on both sides for drive, anti-drop or bearing seat.		
Header seal	As standard, except for doors with ventilation grilles, louvers or other types of ventilation.		
Consoles	Made of galvanized steel. If desired, with sound insulation in acc. with DIN 4109.		



Roller shutter ThermoTeck

Galvanized steel profiles, double-skinned



Further documents:

The exact dimensions for the lateral buffers and the header buffer can be found in our Installation data for roller shutter grilles.
assembly drawings for each shutter.
Please contact us for exceptional handling.