

Prison cell door „Teckentrup“

Typ A with static loading tested in accordance with RC 3
 Typ B with static loading tested in accordance with RC 4
 Typ B + T15 with static loading tested in accordance with RC 4 and
 a 15-minute opening and unlocking process

Text example

Compile and tender according to requirements.
 Please refer to technical data below for respective details.
 Updated 1st June 2015



Position	No. of pieces	Item	Unit price €	Total price €
		Prison cell door, double-skinned, smooth, 1-leaf as a swing door with steel frame. Hinge type DIN right. 64 mm thick, rebated on 3 sides without bottom buffer. Corner frame made of galvanized sheet steel, 2.0 mm thick with impact absorbing buffer in the frame, prepared for 3-sided EPDM all-round seal, without floor recess; with transport beam. Door leaf and frame galvanized and prime-coated Grey white similar to RAL 9002. Prepared for prison cell door lock provided by the customer (bolt and/or latch lock). 2 security bolts, 2 three-piece hinges with ball bearings and hinge protection.		
		„Teckentrup“ or equivalent		

Technical data

Product: Prison cell door „Teckentrup“
 Tested in accordance with the PTE Rosenheim GmbH regulations in collaboration with the VfS Verband für Sicherheitstechnik e.V. (association for security engineering) and its members, the responsible ministries of justice, the state building authorities, construction and properties offices and penal institutions as well as the manufacturers.

Installation in: Masonry (≥ 115 mm) and Concrete (≥ 120 mm)

Dimensions: Width: 750 - (1250) 1500 mm
 Height: 1750 - (2250) 2500 mm
 () type B + T15

Type of handing: DIN right or DIN left

Door leaf: Double-skinned, **thin rebated** without bottom buffer rebated on 3 sides, or rebated on 4 sides with bottom buffer. Rebate width minimum 20 mm.
 Thickness: double-skinned, 64 mm „Anti-noise coating“
 Sheet thickness: 1.5/2.0 mm (cell side)
 Security bolts: 2 on the hinge side

Additional equipment

- door leaf:**
- Stainless steel chain guard (door protector made of stainless steel required on one side)
 - Stainless steel door protector (one sides / both sides)
 - Retractable bottom seal
 - Additional security bolt
 - Sliding threshold seal
 - * **Food hatch** (flush-mounted)
 - approx. 270 x 167 (W x H) clear window hatch (opening angle 90° or 170°) with latch lock or prepared for prison cell door lock
 - Stainless steel ledge on the inside (90°)
 - Food hatch with special size (without test certificate at > 450 cm²)
 - * **Window**
 - Window for 270 x 167 mm opening, class P6B glazing, 18 mm thick
 - Window cover as single-skinned metal plate with revolving door function, piano hinge with magnetic locking
 - Special-sized window (without test certificate at > 450 cm²)
 - Shackle hatch with revolving door function (170° opening angle)
 - 2 mm sheet on the corridor side

* According to the PTE Rosenheim regulations, not larger than 450 cm² (clear window hatch/section) with a maximum length of 350 mm based on the sight opening!

- Frame:**
- Corner frame made of galvanized sheet steel, 2.0 mm thick with impact absorbing buffer in the frame, prepared for 3-sided EPDM all-round seal, without floor recess; with transport beam
 - Standard frame attachment using masonry anchor

Additional equipment

- frames:**
- Corner frame made of galvanized sheet steel, with impact absorbing buffer in the frame, prepared for a 3-sided EPDM all-round seal, 3.0 mm thick
 - Closed frame made of galvanized sheet steel, without frame seal, 3.0 mm thick
 - Counter frame made of galvanized sheet steel, 3.0 mm thick
 - Block frame type 1.1 or 2.1/2.2
 - Optionally with frame seal

- Surface:**
- Door leaf and frame galvanized, and prime-coated Grey white similar to RAL 9002

- Fittings:**
- 2 three-piece special hinges with ball bearings and hinge protection
 - Prepared for prison cell door lock provided by the customer (Bolt and/or latch lock) Brands: STUV, KABA, Technolog, Schlechtendahl, etc.
 - Special lock case for lock provided by the customer incl. cut-out for inserted face plate
 - Prepared for rosettes/plates to match locks provided by the customer. With aluminium door knob on oval rosette
 - With aluminium door knob on oval rosette.

Additional equipment

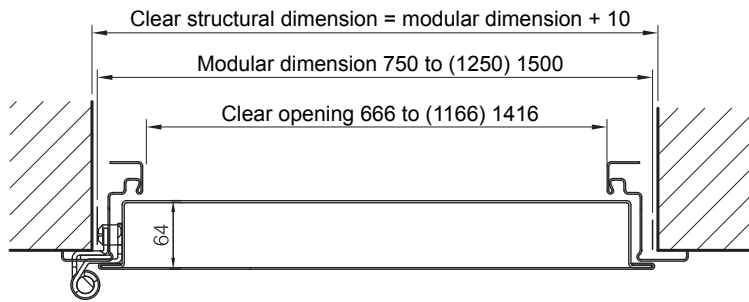
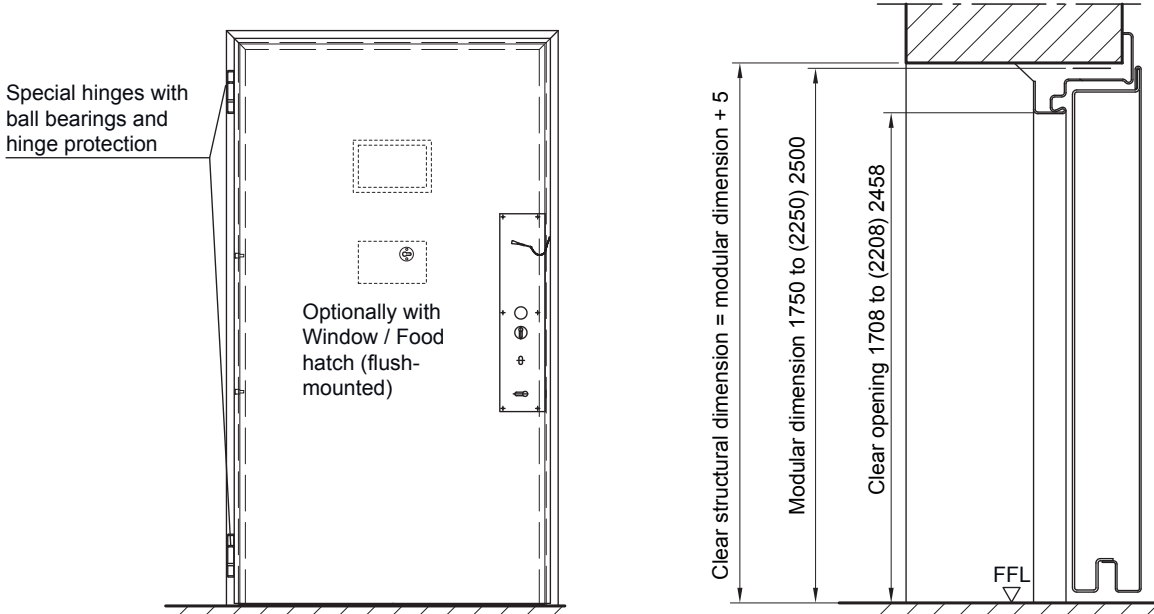
- for fittings:**
- Stainless steel bow-type handle (length 500 mm)
 - Wide angle spyhole with opening/closing cover, standard height: 1550 mm
 - Rotating spyhole (wide angle/tablet hatch/closed)
 - Special spyholes on request
 - Additional bolt lock up and / or down
 - Inner sliding bolt made of flat steel 30 x 10 mm, with steel actuating handle (not available in combination with espagnolette bolt lock)
 - Prepared for prison cell door lock with espagnolette bolt lock
 - Prepared for prison cell door lock with electrical control (cable access point)
 - Top door closer
 - 3rd central door hinge
 - Door stopper
 - Stainless steel door knob on round rosette
 - Prison cell door locks

Electrical equipment:

- Prepared for bolt contact/magnetic contact
- Installation of bolt contact/magnetic contact

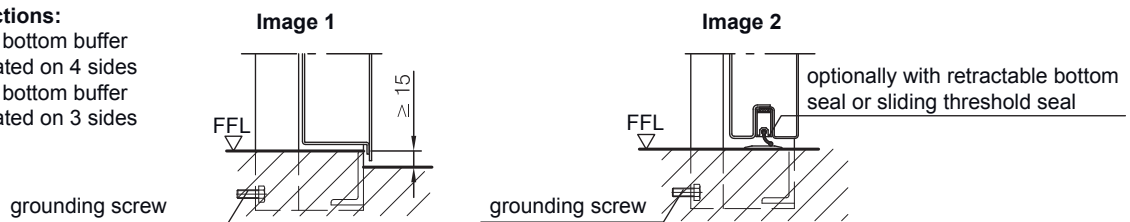
Prison cell door „Teckentrup“

- Typ A with static loading tested in accordance with RC 3
- Typ B with static loading tested in accordance with RC 4
- Typ B + T15 with static loading tested in accordance with RC 4 and a 15-minute opening and unlocking process

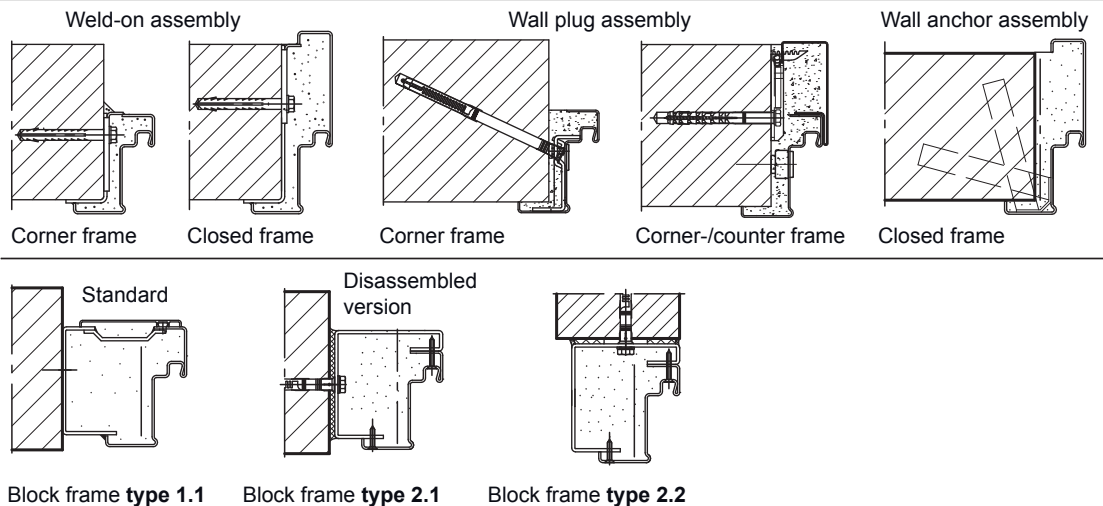


Floor connections:

- Image 1: with bottom buffer
Door leaf rebated on 4 sides
- Image 2: with bottom buffer
Door leaf rebated on 3 sides



Installation in masonry/ concrete walls (mortar back-filling)



Block frame **type 1.1** Block frame **type 2.1** Block frame **type 2.2**